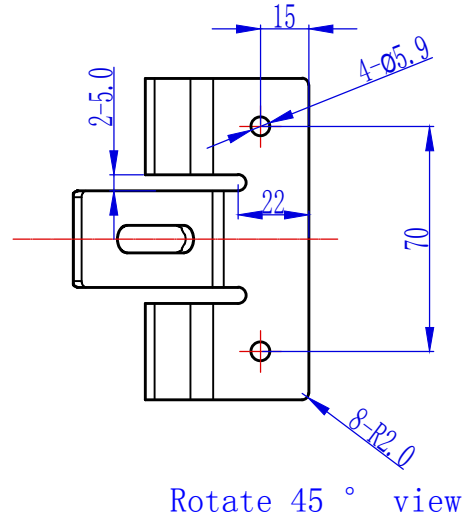
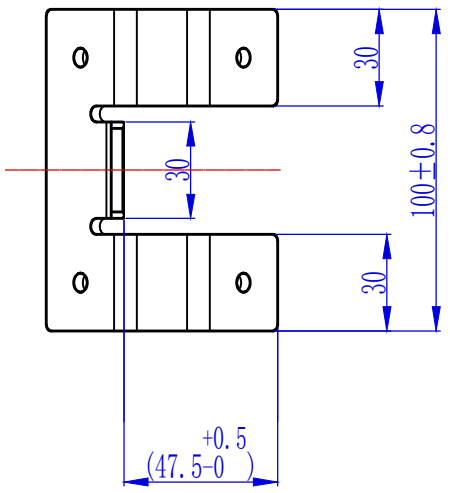
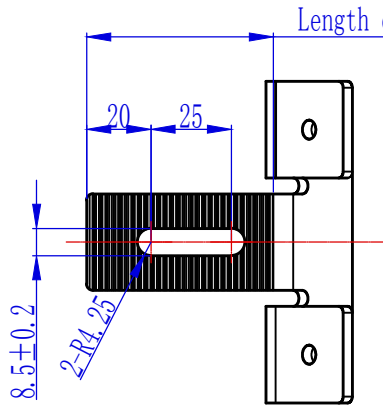
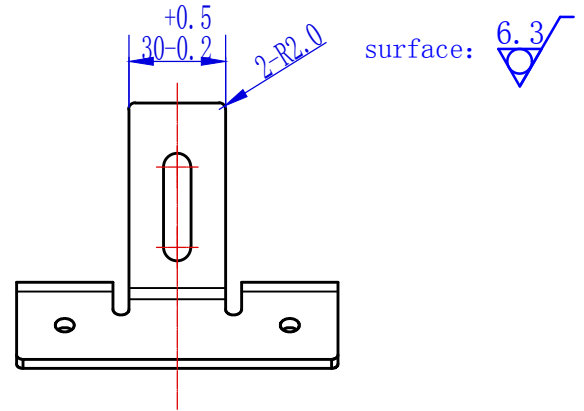
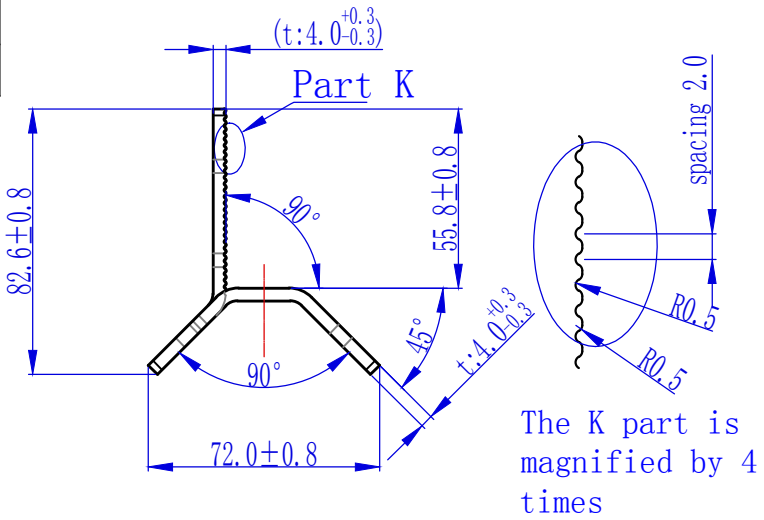
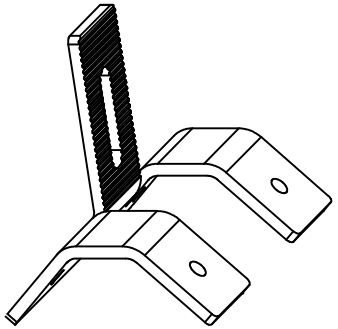


Figure No	ING-MRB-T01
Title	Trapezoidal Metal Roof Bracket 01



**Technical Requirements:**

- 1:Material: SUS304 material thickness T: 4.0;
- 2: The unmarked dimensional tolerance shall be implemented according to GB / t1804-2000 (m);
- 3: Surface shot blasting treatment, no burr, smooth section;
- 4: The surface requirements shall be subject to the customer's order requirements;

Tolerance				Version	Date	Amendment	App by	Title
Dimension	Tolerance	Dimension	Tolerance					
0.5~3	±0.10	120~400	±0.50					Trapezoidal Metal Roof Bracket 01
3~6	±0.10	400~1000	±0.80				Figure No.	ING-MRB-T01
6~30	±0.20	1000~2000	±1.20				Designer	Date
30~120	±0.30						Che by	Material
							App by	View

