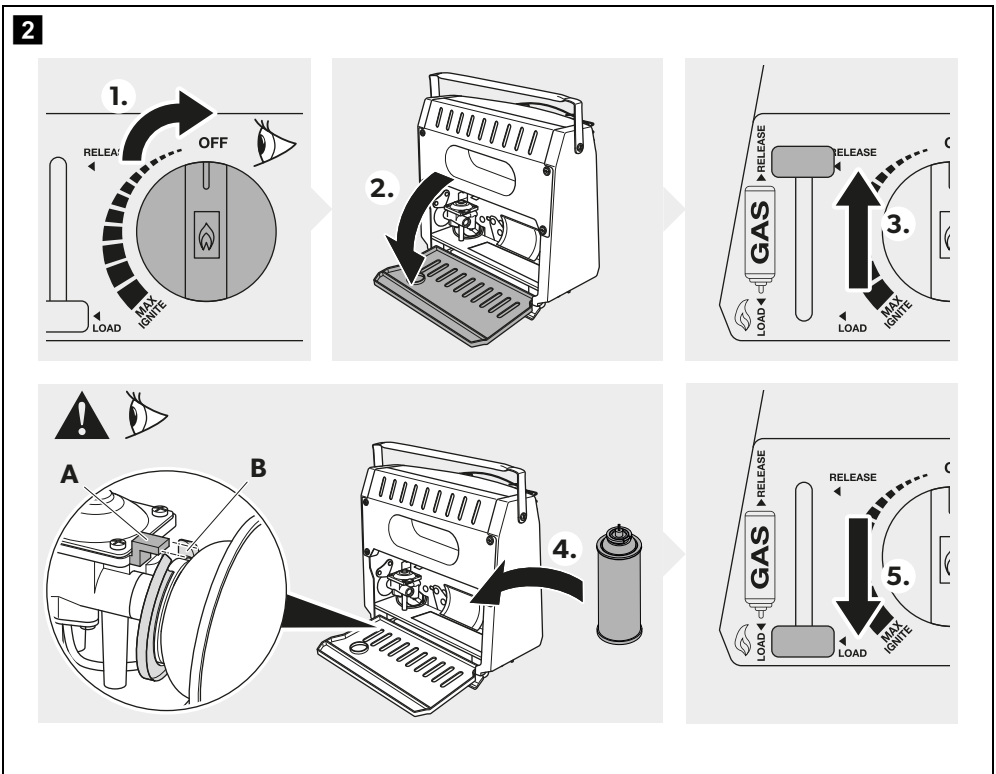
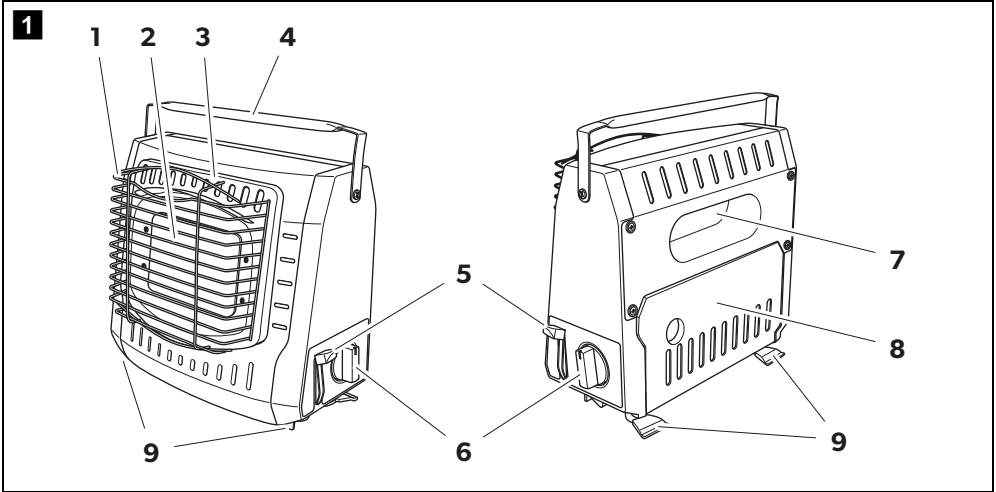


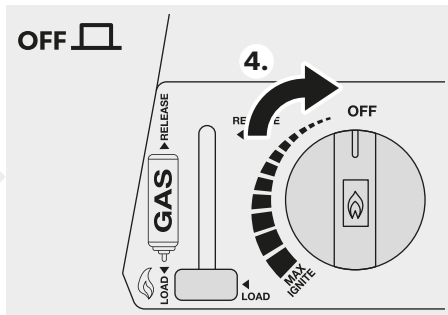
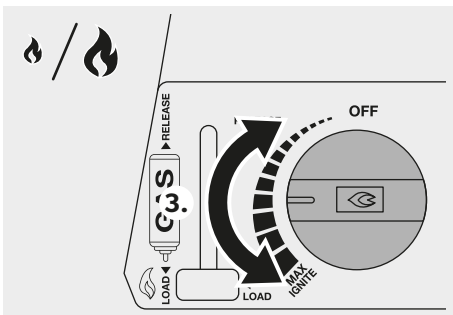
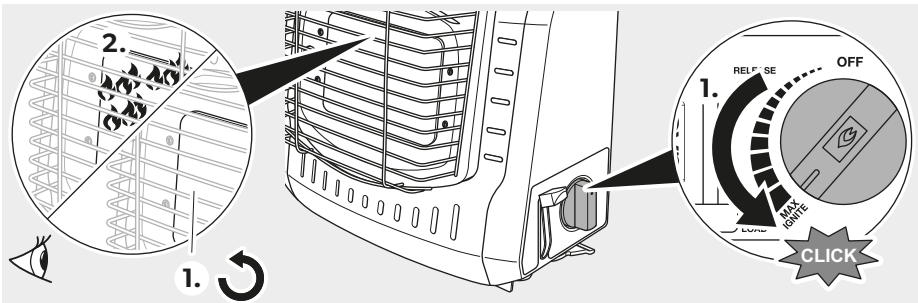
Hottie

EN	Portable gas heater Operating manual	6	SV	Bärbar gasvärmare Bruksanvisning	61
DE	Tragbares Gasheizgerät Bedienungsanleitung	12	NO	Bærbart gassvarmeapparat Bruksanvisning	67
FR	Radiateur à gaz portable Notice d'utilisation	19	FI	Liikuteltava kaasulämmitin Käyttöohje	74
ES	Estufa de gas portátil Instrucciones de uso	26	RU	Переносной газовый нагреватель Инструкция по эксплуатации	80
PT	Aquecedor a gás portátil Manual de instruções	33	PL	Przenośny piecyk gazowy Instrukcja obsługi	88
IT	Stufetta portatile a gas Istruzioni per l'uso	40	SK	Prenosný plynový ohrievač Návod na obsluhu	95
NL	Draagbare gasverwarming Gebruiksaanwijzing	47	CS	Prenosný plynový přímotop Návod k obsluze	102
DA	Bærbart gasvarmeapparat Betjeningsvejledning	54	HU	Hordozható gázüzemű fűtőkészülék Használati utasítás	108

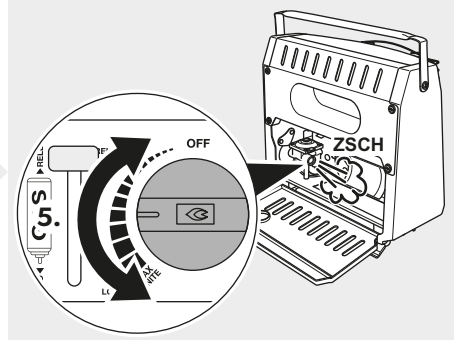
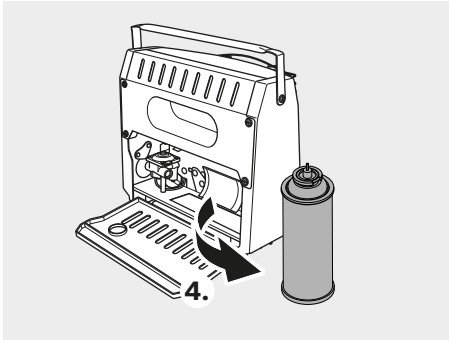
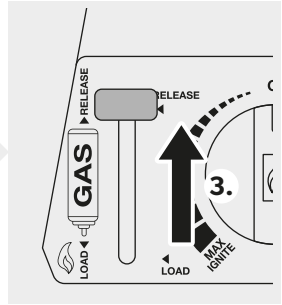
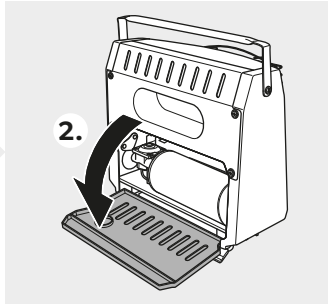
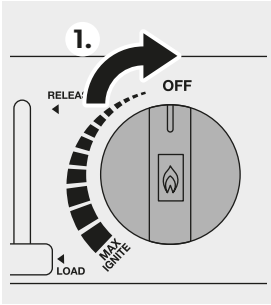
© 2021 Dometic Group. The visual appearance of the contents of this manual is protected by copyright and design law. The underlying technical design and the products contained herein may be protected by design, patent or be patent pending. The trademarks mentioned in this manual belong to Dometic Sweden AB. All rights are reserved.



3



4



Please read these instructions carefully and follow all instructions, guidelines, and warnings included in this product manual in order to ensure that you install, use, and maintain the product properly at all times. These instructions **MUST** stay with this product.

By using the product, you hereby confirm that you have read all instructions, guidelines, and warnings carefully and that you understand and agree to abide by the terms and conditions as set forth herein. You agree to use this product only for the intended purpose and application and in accordance with the instructions, guidelines, and warnings as set forth in this product manual as well as in accordance with all applicable laws and regulations. A failure to read and follow the instructions and warnings set forth herein may result in an injury to yourself and others, damage to your product or damage to other property in the vicinity. This product manual, including the instructions, guidelines, and warnings, and related documentation, may be subject to changes and updates. For up-to-date product information, please visit kampaoutdoors.com.

Explanation of symbols



DANGER!

Safety instruction: Indicates a hazardous situation that, if not avoided, will result in death or serious injury.



WARNING!

Safety instruction: Indicates a hazardous situation that, if not avoided, could result in death or serious injury.



CAUTION!

Safety instruction: Indicates a hazardous situation that, if not avoided, could result in minor or moderate injury.

Safety instructions

General safety



WARNING! Failure to obey these warnings could result in death or serious injury.

Explosion hazard

- This heater may only be repaired by qualified personnel. Inadequate repairs may cause serious hazards.
- Do not modify this heater.
- Do not remove or replace any components of this heater.
- This heater shall only be used with a Kampa butane gas cartridge (ref. no. 9120000991) or other P220 cartridges complying with EN 417. It may be hazardous to attempt to fit other types of gas containers.



CAUTION! Failure to obey these cautions could result in minor or moderate injury.

Fire Hazard

- Only adults shall operate this heater.
- Do not leave this heater unattended when hot or in use.
- Keep a fire extinguisher or other means suitable to extinguish a flame ready.

Burn hazard

- Keep hands, face and hair away from burners.
- Do not wear loose clothing or allow long hair to hang freely while lighting or using this heater.
- Keep children and pets safely away.
- Carefully monitor all activity around this heater to avoid burns or other injuries.

Operating this heater safely



DANGER! Failure to obey these instructions will cause death or serious injury.

Hazard of carbon monoxide poisoning

- Never use this heater indoors.
The process of burning liquid gas produces carbon monoxide which accumulates inside enclosed areas.

Beware of suffocation

- Operating this heater in an unventilated area will reduce the amount of oxygen in this area.
- Do not operate this heater in unventilated areas such as enclosed premises, tents, awning tents, motor vehicles, motor homes, caravans or inside ships, yachts, boats and truck cabs.
- Use outdoors only.



WARNING! Failure to obey these warnings could result in death or serious injury.

Explosion hazard

- This heater shall only be used in an above ground open air situation with natural ventilation, without stagnant areas, where gas leakage and products of combustion are rapidly dispersed by wind and natural convection.
- Do not use this heater if it is leaking, damaged or does not operate properly.
- Do not place chemicals, flammable materials or spray aerosols near this heater.
- Never use a naked flame to check for gas leaks.

- If you smell gas:
 - Do not attempt to light this heater.
 - Extinguish any naked flames.
 - Disconnect from gas supply.
 - Have the gas system checked by a specialist.
- Only attach or detach the gas cartridge outdoors away from a naked flame, pilot light or other source of ignition and only when this heater is cool to touch.
- Check that the seal between this heater and the gas cartridge is in place and in good condition before using the gas cartridge.
- Do not use this heater if the seal is damaged or worn.
- Do not use the heater in direct sunlight.



CAUTION! Failure to obey these cautions could result in minor or moderate injury.

Fire Hazard

- Keep a minimum clearance of at least 20 cm from the side and back of the heater to any construction or items.
- Keep a minimum clearance of at least 100 cm from the front of the heater.
- Keep the surrounding area clear of all combustible material and flammable liquids, including wood, dry plants and grass, brush, paper and canvas.
- Use this heater only on a level, stable non-combustible surface like bricks, concrete or earth.
- Do not use this heater on any surface that will burn or melt like wood, asphalt, vinyl or plastic.
- Keep flammable objects away from the burner. Do not use the heater to dry cloths or other flammable items.
- Do not cover or obstruct the heater with any article or object.
- Do not use the heater as a cooker or tip it over onto its back
- Do not place food on the fire grill.
- In case of fire shut off the gas supply.

Burn hazard

- Do not move this heater during use.
- Use protective gloves when handling hot components.
- Leave this heater to cool down properly before you touch it with bare hands.
- Accessible parts may be very hot. Keep young children away.

- The use of alcohol or prescription or non-prescription drugs may impair your ability to properly assemble or safely operate this heater.

Health hazard

- Only operate this heater when an adult can attend to it.

Safety precautions when handling liquid gas



WARNING! Failure to obey these warnings could result in death or serious injury.

- After use always disconnect the liquid gas cartridge.
- **Never** incinerate or puncture a gas cartridge even if empty.
- **Never** insert or remove the gas cartridge indoors, in badly ventilated areas, near other people, near heat sources or when the device is still warm.
- **Never** store gas cartridges in unventilated areas or below ground level (funnel-shaped holes in the ground).
- **Never** store gas cartridges in buildings such as garages.
- Store gas cartridges away from heating or cooking devices and heat sources in a well-ventilated area out of the reach of children.
- Do not store gas cartridges on their side.
- Keep gas cartridges away from direct sunlight. The temperature should not exceed 50 °C.
- Dispose of gas cartridges in accordance with local authority regulations.

Intended use

The portable gas heater Hottie is suitable for:

- Outdoor activities

The portable gas heater Hottie is **not** suitable for:

- Indoor use
- Enclosed spaces

This product is only suitable for the intended purpose and application in accordance with these instructions.

This manual provides information that is necessary for proper installation and/or operation of the product. Poor installation and/or improper operation or maintenance will result in unsatisfactory performance and a possible failure.

The manufacturer accepts no liability for any injury or damage to the product resulting from:

- Incorrect assembly or connection, including excess voltage
- Incorrect maintenance or use of spare parts other than original spare parts provided by the manufacturer
- Alterations to the product without express permission from the manufacturer
- Use for purposes other than those described in this manual

Kampa reserves the right to change product appearance and product specifications.

Technical description

This gas heater has one burner.

This gas heater is designed to be connected to a Kampa butane gas cartridge (ref. no. 9120000991, not supplied) or other P220 cartridges complying with EN 417.

Safety device

This gas heater is equipped with a safety device which stops the flow of gas if the pressure in the cartridge becomes too high (for example because of overheating).

If this happens:

1. Remove the source of the excess heat.
2. Allow the gas cartridge to cool down.
3. Reset the heater.

Parts and controls

No. in fig. 1, page 3	Designation
1	Fire guard
2	Ceramic plate
3	Panel

No. in fig. 1, page 3	Designation
4	Handle
5	Gas cartridge level
6	Control knob
7	Grip recess
8	Cartridge cover
9	Feet

Using this heater



CAUTION! Burn hazard

- Keep hands, face and hair away from burners.
- Do not wear loose clothing or allow long hair to hang freely while lighting or using this heater.
- Keep children and pets safely away.
- Carefully monitor all activity around this heater to avoid burns or other injuries.
- Do not move the heater during use.
- Do not touch the hot parts of the heater during and after use.
- Leave the heater to cool down properly before storing.
- After use always disconnect the liquid gas cartridge.

Placing the heater

When selecting the location for setting up this heater, observe the following instructions:

- Position the heater outdoors.
- The place must be well-ventilated. Do not place it in a dip to prevent any gases from accumulating there.
- Keep the heater protected from wind and direct drafts.
- Remove all combustible material in the surrounding area.
- Choose a level, stable non-combustible surface to position the heater.

- Never place the heater near or on flammable materials, even when cooling down. Keep a distance of at least 100 cm to flammable materials.
- The product must stand on a base that can withstand heat of up to at least 80 °C. The housing can become very hot when in use.
- Observe the safety instructions, see chapter “Safety precautions when handling liquid gas” on page 7.

Inserting the gas cartridge



WARNING! Explosion hazard

Check that the cartridge sealing valve is in place and in good condition, before inserting the gas cartridge.

1. Proceed as shown (fig. **2**, page 3).
2. Do not use excessive force. If the cartridge lock lever will not push down, check the position of the notch.
3. If you hear a hissing noise, the gas cartridge has not been fitted correctly. Release the cartridge lock lever and reposition the cartridge.

Igniting and controlling the heater



WARNING! Health hazard

Do not leave the product unattended while in use.

1. Proceed as shown (fig. **3**, page 4).
2. If the burner does not ignite, repeat the ignition process.

Removing the gas cartridge



WARNING! Health hazard

- Do not transport or store the heater with the gas cartridge inserted.
- Remove the gas cartridge in a well-ventilated location.
- Ensure that there are no naked flames in the vicinity.
- Only remove the gas cartridge when the heater is switched off and has cooled down.

The cartridge may be disconnected even if some gas remains.

1. Proceed as shown (fig. **4**, page 5).

2. Check the content of a cartridge by shaking and listening for the liquid gas.
3. Refit the protective cap and store the gas cartridge in a cool, dry, well ventilated place out of the reach of children.
4. Check the cartridge sealing valve. Let the seal be replaced by a qualified person if the material is brittle or porous.

Moving and storing the heater



WARNING! Health hazard

Do not transport or store the heater with the gas cartridge inserted.

Proceed as follows:

1. Turn off the heater.
2. Let the heater cool down completely.
3. Remove the gas cartridge from the heater (see chapter “Removing the gas cartridge” on page 9).
4. Clean the heater (see chapter “Cleaning and maintenance” on page 9).
5. Store the heater on a level, stable dry place out of the reach of children.

Cleaning and maintenance

Clean the heater after each use:

1. Ensure the product is cold.
2. Remove the gas cartridge from the product.
3. Wash the surfaces of the product with hot soapy water.
4. Periodically check the burner to see it is free of dirt like insects. Use a brush to clean it.

Troubleshooting

Fault	Cause	Solution
Cartridge cannot be installed	Control knob not fully turned to OFF position	Turn the control knob completely to the OFF position and reset cartridge.
	Incorrect cartridge installation	Ensure that the tab on the regulator is engaged with the notch in the cartridge collar.
No gas supply in MAX position	No gas left in cartridge	Replace the gas cartridge.
	Incorrect cartridge installation	Ensure that the tab on the regulator is engaged with the notch in the cartridge collar.
	Activated safety device	Allow the cartridge to cool down.
	Control knob malfunction	Contact an authorized technician for the repair.
	Clogged nozzle	Contact an authorized technician for the repair.
Smell of gas in OFF position	Incorrect cartridge installation	Ensure that the tab on the regulator is engaged with the notch in the cartridge collar.
	Control knob malfunction	Contact an authorized technician for the repair.
Low flame	No gas is left in cartridge	Replace the gas cartridge.
	Clogged burner holes	Use a metal brush to clean the burner holes.
	Control knob malfunction	Contact an authorized technician for the repair.
	Clogged nozzle	Contact an authorized technician for the repair.
Uneven flame	No gas is left in cartridge	Replace the gas cartridge.
	Clogged burner holes	Use a metal brush to clean the burner holes.

Fault	Cause	Solution
No ignition/faulty ignition	No gas is left in cartridge	Replace the gas cartridge.
	Incorrect cartridge installation	Ensure that the tab on the regulator is engaged with the notch in the cartridge collar.
	Safety device activated	Allow the cartridge to cool down.
	Clogged burner holes	Use a metal brush to clean the burner holes.
	Bent or rusty electrode	Clean the electrode.
	Control knob malfunction	Contact an authorized technician for the repair.
	Clogged nozzle	Contact an authorized technician for the repair.
Extinction during operation	No gas is left in cartridge	Replace the gas cartridge.
	Safety device activated	Allow the cartridge to cool down.

Warranty

The statutory warranty period applies. If the product is defective, please contact the manufacturer's branch in your country (see kampaoutdoors.com/store-locator) or your retailer.

For repair and warranty processing, please include the following documents when you send in the device:

- A copy of the receipt with purchase date
- A reason for the claim or description of the fault


Disposal

► Place the packaging material in the appropriate recycling waste bins, wherever possible.



If you wish to finally dispose of the product, ask your local recycling center or specialist dealer for details about how to do this in accordance with the applicable disposal regulations.

Technical data

	Hottie
Gas category:	Butane
Gas cartridge type:	P220
Product category:	I _{3B} , direct pressure
Ignition:	Piezo
Burner heat input:	2.0 kW
Gas consumption:	145 g/h
Injector size:	0,50 mm
Dimensions (H x W x D):	270 x 310 x 160 mm
Weight:	1.78 kg
Certification:	

Lesen und befolgen Sie bitte alle Anweisungen, Richtlinien und Warnhinweise in diesem Produkthandbuch sorgfältig, um sicherzustellen, dass Sie das Produkt ordnungsgemäß installieren und stets ordnungsgemäß betreiben und warten. Diese Anleitung MUSS bei dem Produkt verbleiben.

Durch die Verwendung des Produktes bestätigen Sie hiermit, dass Sie alle Anweisungen, Richtlinien und Warnhinweise sorgfältig gelesen haben und dass Sie die hierin dargelegten Bestimmungen verstanden haben und ihnen zustimmen. Sie erklären sich damit einverstanden, dieses Produkt nur für den angegebenen Verwendungszweck und gemäß den Anweisungen, Richtlinien und Warnhinweisen dieses Produkthandbuchs sowie gemäß allen geltenden Gesetzen und Vorschriften zu verwenden. Eine Nichtbeachtung der hierin enthaltenen Anweisungen und Warnhinweise kann zu einer Verletzung Ihrer selbst und anderer Personen, zu Schäden an Ihrem Produkt oder zu Schäden an anderem Eigentum in der Umgebung führen. Dieses Produkthandbuch, einschließlich der Anweisungen, Richtlinien und Warnhinweise, sowie die zugehörige Dokumentation können Änderungen und Aktualisierungen unterliegen. Aktuelle Produktinformationen finden Sie unter kampaoutdoors.com/de.

Erklärung der Symbole



GEFAHR!

Sicherheitshinweis: Kennzeichnet eine Gefahrensituation, die zum Tod oder schwerer Verletzung führt, wenn die jeweiligen Anweisungen nicht befolgt werden.



WARNUNG!

Sicherheitshinweis: Kennzeichnet eine Gefahrensituation, die zum Tod oder schwerer Verletzung führen könnte, wenn die jeweiligen Anweisungen nicht befolgt werden.



VORSICHT!

Sicherheitshinweis: Kennzeichnet eine Gefahrensituation, die zu geringer oder mittelschwerer Verletzung führen könnte, wenn die jeweiligen Anweisungen nicht befolgt werden.

Sicherheitshinweise

Grundlegende Sicherheit



WARNUNG! Nichtbeachtung dieser Warnungen kann zum Tod oder schwerer Verletzung führen.

Explosionsgefahr

- Reparaturen an diesem Gerät dürfen nur von Fachkräften durchgeführt werden. Durch unsachgemäße Reparaturen können erhebliche Gefahren entstehen.

- Das Gerät darf nicht verändert werden.
- Entfernen oder ersetzen Sie keine Teile des Geräts.
- Dieses Gerät darf nur mit einer Kampa Butangaskartusche (Art.-Nr. 9120000991) oder anderen P220-Kartuschen gemäß DIN EN 417 verwendet werden. Der Versuch, andere Arten von Gasbehältern einzusetzen, kann gefährlich sein.



VORSICHT! Nichtbeachtung dieser Hinweise kann zu geringen oder mittelschweren Verletzungen führen.

Brandgefahr

- Dieses Gerät darf nur von Erwachsenen betrieben werden.
- Lassen Sie das Gerät nicht unbeaufsichtigt, wenn es in Betrieb oder noch heiß ist.
- Halten Sie einen Feuerlöscher oder ein anderes geeignetes Mittel zum Löschen einer Flamme bereit.

Verbrennungsgefahr

- Halten Sie Hände, Gesicht und Haare von Brennern entfernt.
- Tragen Sie keine weite Kleidung und binden Sie langes Haar zusammen, während Sie das Gerät zünden oder verwenden.
- Halten Sie Kinder und Haustiere in sicherer Entfernung von dem Gerät.
- Achten Sie aufmerksam auf alle Aktivitäten in der Nähe des Geräts, um Verbrennungen oder andere Verletzungen zu vermeiden.

Sicherheit beim Betrieb des Geräts



GEFAHR! Nichtbeachtung dieser Hinweise führt zu Tod oder schwerer Verletzung.

Gefahr einer Kohlenmonoxidvergiftung

- Verwenden Sie das Gerät niemals in Innenräumen. Bei der Verbrennung von Flüssiggas entsteht Kohlenmonoxid, das sich in geschlossenen Räumen ansammelt.

Erstickungsgefahr

- Der Betrieb des Geräts in einem unbelüfteten Bereich führt zu Sauerstoffmangel in diesem Bereich.

- Verwenden Sie das Gerät nicht in unbelüfteten Bereichen wie geschlossenen Räumen, Zelten, Vorzelten, Kraftfahrzeugen, Wohnmobilen, Wohnwagen oder in Schiffen, Yachten, Booten und Lkw-Kabinen.
- Nur im Freien verwenden.



WARNUNG! Nichtbeachtung dieser Warnungen kann zum Tod oder schwerer Verletzung führen.

Explosionsgefahr

- Dieses Gerät darf nur oberirdisch im Freien verwendet werden, wo eine natürliche Belüftung ohne Bereiche mit stehender Luft gewährleistet ist und austretendes Gas sowie Verbrennungsprodukte durch Wind und natürliche Konvektion rasch zerstreut werden.
- Verwenden Sie das Gerät nicht, wenn es undicht oder beschädigt ist oder nicht ordnungsgemäß funktioniert.
- Stellen Sie keine Chemikalien, brennbaren Materialien oder Sprühdosen in der Nähe des Geräts ab.
- Verwenden Sie niemals eine offene Flamme, um nach Gaslecks zu suchen.
- Wenn Sie Gasgeruch wahrnehmen:
 - Versuchen Sie nicht, das Heizgerät zu zünden.
 - Löschen Sie alle offenen Flammen.
 - Trennen Sie die Gaszufuhr.
 - Lassen Sie die Gasanlage von einem Fachbetrieb prüfen.
- Nehmen Sie das Anbringen und Abnehmen der Gaskartusche ausschließlich im Freien und entfernt von offenen Flammen, Zündflammen oder anderen Zündquellen vor, und achten Sie darauf, dass das Gerät ausreichend abgekühlt ist.
- Überprüfen Sie, ob die Dichtung zwischen dem Gerät und der Gaskartusche vorhanden und in gutem Zustand ist, bevor Sie die Gaskartusche verwenden.
- Verwenden Sie das Gerät nicht, wenn die Dichtung beschädigt oder verschlissen ist.
- Verwenden Sie das Gerät nicht unter direkter Sonneneinstrahlung.



VORSICHT! Nichtbeachtung dieser Hinweise kann zu geringen oder mittelschweren Verletzungen führen.

Brandgefahr

- Achten Sie an den Seiten und an der Rückseite des Geräts auf einen Mindestabstand von 20 cm zu Aufbauten oder Gegenständen.
- An der Vorderseite des Geräts muss der Mindestabstand 100 cm betragen.
- Halten Sie die Umgebung frei von brennbarem Material und entflammaren Flüssigkeiten, einschließlich Holz, trockenen Pflanzen und Gras, Gestrüpp, Papier und Leinwand.
- Verwenden Sie das Gerät nur auf einer ebenen, stabilen, nicht brennbaren Oberfläche, wie Ziegel, Beton oder Erde.
- Verwenden Sie das Gerät nicht auf Oberflächen, die sich entzünden oder schmelzen können, wie Holz, Asphalt oder Kunststoff.
- Halten Sie brennbare Gegenstände vom Brenner fern. Verwenden Sie das Gerät nicht zum Trocknen von Kleidung oder anderen brennbaren Gegenständen.
- Bedecken oder blockieren Sie das Gerät nicht mit Gegenständen.
- Verwenden Sie das Gerät nicht als Kocher, und stellen Sie es nicht auf seine Rückseite.
- Legen Sie keine Lebensmittel auf dem Schutzgitter ab.
- Schließen Sie im Fall eines Brandes die Gaszufuhr.

Verbrennungsgefahr

- Bewegen Sie das Gerät nicht, während es sich in Betrieb befindet.
- Tragen Sie Schutzhandschuhe, wenn Sie heiße Teile berühren.
- Lassen Sie das Gerät ausreichend abkühlen, bevor Sie es mit bloßen Händen berühren.
- Zugängliche Teile können sehr heiß sein. Halten Sie kleine Kinder von dem Gerät fern.
- Der Konsum von Alkohol oder verschreibungspflichtigen oder nicht verschreibungspflichtigen Medikamenten kann Ihre Fähigkeit beeinträchtigen, das Gerät ordnungsgemäß zusammenzubauen oder sicher zu bedienen.

Gesundheitsgefahr

- Betreiben Sie das Gerät nur unter Aufsicht eines Erwachsenen.

Sicherheit beim Umgang mit Flüssiggas



WARNUNG! Nichtbeachtung dieser Warnungen kann zum Tod oder schwerer Verletzung führen.

- Trennen Sie nach dem Gebrauch immer den Anschluss von der Flüssiggaskartusche.
- Verbrennen oder durchstechen Sie **niemals** eine Gaskartusche, auch wenn sie leer ist.
- Setzen Sie die Gaskartusche **niemals** in geschlossenen Räumen, in schlecht belüfteten Bereichen, in der Nähe anderer Personen, in der Nähe von Wärmequellen oder bei noch warmem Gerät ein und entfernen Sie sie nicht unter den genannten Umständen.
- Lagern Sie Gaskartuschen **niemals** an unbelüfteten Plätzen oder unterhalb Bodenniveau (trichterförmige Erdmulden).
- Lagern Sie Gaskartuschen **niemals** in Gebäuden wie z. B. Garagen.
- Lagern Sie Gaskartuschen entfernt von Heiz- oder Kochgeräten und Wärmequellen in einem gut belüfteten Bereich, außerhalb der Reichweite von Kindern.
- Lagern Sie Gaskartuschen nicht auf der Seite liegend.
- Schützen Sie Gaskartuschen vor direkter Sonneneinstrahlung. Die Temperatur sollte 50 °C nicht überschreiten.
- Entsorgen Sie Gaskartuschen gemäß den Vorschriften der örtlichen Behörden.

Bestimmungsgemäßer Gebrauch

Das tragbare Gasheizgerät „Hottie“ ist geeignet für:

- Aktivitäten im Freien

Das tragbare Gasheizgerät „Hottie“ ist **nicht** geeignet für:

- Verwendung in Innenräumen
- Geschlossene Räume

Dieses Produkt ist nur für den angegebenen Verwendungszweck und die Anwendung gemäß dieser Anleitung geeignet.

Dieses Handbuch enthält Informationen, die für die ordnungsgemäße Installation und/oder den ordnungsgemäßen Betrieb des Produkts erforderlich sind. Installationsfehler und/oder ein nicht ordnungsgemäßer Betrieb oder eine nicht ordnungsgemäße Wartung haben eine unzureichende Leistung und u. U. einen Ausfall des Geräts zur Folge.

Der Hersteller übernimmt keine Haftung für Verletzungen oder Schäden am Produkt, die durch Folgendes entstehen:

- Unsachgemäße Montage oder falscher Anschluss, einschließlich Überspannung
- Unsachgemäße Wartung oder Verwendung von anderen als den vom Hersteller gelieferten Original-Ersatzteilen
- Veränderungen am Produkt ohne ausdrückliche Genehmigung des Herstellers
- Verwendung für andere als die in der Anleitung beschriebenen Zwecke

Kampa behält sich das Recht vor, das Erscheinungsbild des Produkts und dessen technische Daten zu ändern.

Technische Beschreibung

Das Gerät verfügt über einen Brenner.

Dieses Gasheizgerät ist für den Anschluss an eine Kampa Butangaskartusche (Art.-Nr. 9120000991, nicht im Lieferumfang enthalten) oder andere P220-Kartuschen gemäß DIN EN 417 vorgesehen.

Sicherheitsvorrichtung

Dieses Gerät ist mit einer Sicherheitsvorrichtung ausgestattet, die den Gasdurchlauf stoppt, wenn der Druck in der Kartusche zu hoch wird (z. B. durch Überhitzung).

In diesem Fall:

1. Entfernen Sie die Quelle der überschüssigen Wärme.
2. Lassen Sie die Gaskartusche abkühlen.
3. Schalten Sie das Gerät wieder ein.

Teile und Bedienelemente

Pos. in Abb. 1 , Seite 3	Bezeichnung
1	Schutzgitter
2	Keramikplatte
3	Blende
4	Griff
5	Gaskartuschenhebel
6	Regler
7	Griffmulde
8	Kartuschenabdeckung
9	FüÙe

Aufstellen des Heizgeräts

Beachten Sie bei der Wahl des Aufstellungsortes für das Gerät die folgenden Hinweise:

- Stellen Sie das Gerät im Freien auf.
- Der Aufstellungsort muss gut belüftet sein. Stellen Sie das Produkt nicht in einer Senke auf, um zu verhindern, dass sich dort Gase ansammeln.
- Schützen Sie das Gerät vor Wind und direkter Zugluft.
- Entfernen Sie alles brennbare Material in der Umgebung.
- Wählen Sie als Aufstellungsort eine ebene, stabile, nicht brennbare Fläche.
- Stellen Sie das Gerät niemals auf brennbare Materialien oder in deren Nähe, auch nicht zum Abkühlen. Halten Sie einen Sicherheitsabstand von mindestens 100 cm zu allen brennbaren Materialien ein.
- Das Gerät muss auf einer Unterlage stehen, die einer Temperatur von mindestens 80 °C standhalten kann. Das Gehäuse kann im Betrieb sehr heiß werden.
- Beachten Sie die Sicherheitshinweise, siehe Kapitel „Sicherheit beim Umgang mit Flüssiggas“ auf Seite 14.

Gaskartusche einsetzen



WARNUNG! Explosionsgefahr

Vergewissern Sie sich vor dem Einsetzen der Gaskartusche, dass das Kartuschen-dichtventil vorhanden und in gutem Zustand ist.

1. Gehen Sie vor wie dargestellt (Abb. **2**, Seite 3).
2. Wenden Sie keine übermäßige Kraft an. Wenn sich der Kartuschenverriegelungshebel nicht nach unten drücken lässt, überprüfen Sie die Position der Kerbe.
3. Wenn Sie ein zischendes Geräusch hören, ist die Gaskartusche nicht korrekt eingesetzt. Lassen Sie den Kartuschenverriegelungshebel los und setzen Sie die Kartusche neu ein.

Verwendung des Heizgeräts



VORSICHT! Verbrennungsgefahr

- Halten Sie Hände, Gesicht und Haare von Brennern entfernt.
- Tragen Sie keine weite Kleidung und binden Sie langes Haar zusammen, während Sie das Gerät zünden oder verwenden.
- Halten Sie Kinder und Haustiere in sicherer Entfernung von dem Gerät.
- Achten Sie aufmerksam auf alle Aktivitäten in der Nähe des Geräts, um Verbrennungen oder andere Verletzungen zu vermeiden.
- Bewegen Sie das Gerät nicht, während es sich in Betrieb befindet
- Berühren Sie während des Gebrauchs und danach nicht die heißen Teile des Geräts.
- Lassen Sie das Gerät vor der Lagerung ausreichend abkühlen.
- Trennen Sie nach dem Gebrauch immer den Anschluss von der Flüssig-gaskartusche.

Zünden und Regeln des Heizgeräts



WARNUNG! Gesundheitsgefahr

Betreiben Sie das Gerät nicht unbeaufsichtigt.

1. Gehen Sie vor wie dargestellt (Abb. **3**, Seite 4).
2. Falls der Brenner nicht zündet, wiederholen Sie den Zündvorgang.

Gaskartusche entfernen



WARNUNG! Gesundheitsgefahr

- Transportieren oder lagern Sie das Gerät nicht mit eingesetzter Gaskartusche.
- Entfernen Sie die Gaskartusche an einem gut belüfteten Ort.
- Stellen Sie sicher, dass die Umgebung frei von offenen Flammen ist.
- Entfernen Sie die Gaskartusche erst, wenn das Gerät ausgeschaltet und abgekühlt ist.

Die Kartusche kann auch dann herausgenommen werden, wenn sie noch etwas Gas enthält.

1. Gehen Sie vor wie dargestellt (Abb. **4**, Seite 5).
2. Prüfen Sie den Inhalt einer Kartusche, indem Sie sie schütteln und auf das Geräusch von Flüssiggas achten.
3. Bringen Sie die Schutzkappe wieder an und lagern Sie die Gaskartusche an einem kühlen, trockenen, gut belüfteten Ort außerhalb der Reichweite von Kindern.

Fehlersuche und Fehlerbehebung

Störung	Fehler/Ursache	Lösung
Kartusche kann nicht eingesetzt werden.	Regler ist nicht vollständig in der OFF-Position.	Drehen Sie den Regler vollständig in die OFF-Position und setzen Sie die Kartusche erneut ein.
	Kartusche ist nicht richtig eingesetzt.	Stellen Sie sicher, dass die Zunge an der Regeleinrichtung in die Kerbe des Kartuschenrings eingreift.

4. Prüfen Sie das Kartuschendichtventil. Lassen Sie die Dichtung von einer Fachkraft ersetzen, wenn das Material spröde oder porös ist.

Gerät transportieren und lagern



WARNUNG! Gesundheitsgefahr

Transportieren oder lagern Sie das Gerät nicht mit eingesetzter Gaskartusche.

Gehen Sie wie folgt vor:

1. Schalten Sie das Gerät aus.
2. Lassen Sie es vollständig abkühlen.
3. Nehmen Sie die Gaskartusche aus dem Gerät (siehe Kapitel „Gaskartusche entfernen“ auf Seite 16).
4. Reinigen Sie das Gerät (siehe Kapitel „Reinigung und Pflege“ auf Seite 16).
5. Lagern Sie das Gerät an einem Ort mit ebenem, stabilem Untergrund außerhalb der Reichweite von Kindern.

Reinigung und Pflege

Reinigen Sie das Gerät nach jedem Gebrauch:

1. Stellen Sie sicher, dass das Gerät abgekühlt ist.
2. Nehmen Sie die Gaskartusche aus dem Gerät.
3. Waschen Sie die Oberflächen des Geräts mit heißer Seifenlauge ab.
4. Prüfen Sie regelmäßig, ob der Brenner frei von Verschmutzungen, wie z. B. Insekten, ist. Reinigen Sie ihn mit einer Bürste.

Störung	Fehler/Ursache	Lösung
Keine Gaszufuhr in Position MAX	Kartusche ist leer.	Tauschen Sie die Gaskartusche aus.
	Kartusche ist nicht richtig eingesetzt.	Stellen Sie sicher, dass die Zunge an der Regeleinrichtung in die Kerbe des Kartuschenrings eingreift.
	Sicherheitseinrichtung ist aktiviert.	Lassen Sie die Kartusche abkühlen.
	Störung am Regler	Wenden Sie sich zur Reparatur an einen autorisierten Techniker.
Gasgeruch in der OFF-Position	Düse ist verstopft.	Wenden Sie sich zur Reparatur an einen autorisierten Techniker.
	Kartusche ist nicht richtig eingesetzt.	Stellen Sie sicher, dass die Zunge an der Regeleinrichtung in die Kerbe des Kartuschenrings eingreift.
Störung am Regler	Wenden Sie sich zur Reparatur an einen autorisierten Techniker.	
Kleine Flamme	Kartusche ist leer.	Tauschen Sie die Gaskartusche aus.
	Öffnungen des Brenners sind verstopft.	Reinigen Sie die Öffnungen mit einer Metallbürste.
	Störung am Regler	Wenden Sie sich zur Reparatur an einen autorisierten Techniker.
	Düse ist verstopft.	Wenden Sie sich zur Reparatur an einen autorisierten Techniker.
Ungleichmäßige Flamme	Kartusche ist leer.	Tauschen Sie die Gaskartusche aus.
	Öffnungen des Brenners sind verstopft.	Reinigen Sie die Öffnungen mit einer Metallbürste.
Keine Zündung / Fehlzündung	Kartusche ist leer.	Tauschen Sie die Gaskartusche aus.
	Kartusche ist nicht richtig eingesetzt.	Stellen Sie sicher, dass die Zunge an der Regeleinrichtung in die Kerbe des Kartuschenrings eingreift.
	Sicherheitsvorrichtung ist aktiviert.	Lassen Sie die Kartusche abkühlen.
	Öffnungen des Brenners sind verstopft.	Reinigen Sie die Öffnungen mit einer Metallbürste.
	Elektrode ist verbogen oder verrostet.	Reinigen Sie die Elektrode.
	Störung am Regler	Wenden Sie sich zur Reparatur an einen autorisierten Techniker.
	Düse ist verstopft.	Wenden Sie sich zur Reparatur an einen autorisierten Techniker.

Störung	Fehler/Ursache	Lösung
Erlöschen während des Betriebs	Kartusche ist leer.	Tauschen Sie die Gaskartusche aus.
	Sicherheitsvorrichtung ist aktiviert.	Lassen Sie die Kartusche abkühlen.

Garantie

Es gilt die gesetzliche Gewährleistungsfrist. Sollte das Produkt defekt sein, wenden Sie sich bitte an die Niederlassung des Herstellers in Ihrem Land (siehe kampaoutdoors.com/de/store-locator) oder an Ihren Fachhändler.

Bitte senden Sie bei einem Reparatur- bzw. Garantieantrag folgende Unterlagen mit dem Produkt ein:

- eine Kopie der Rechnung mit Kaufdatum
- einen Reklamationsgrund oder eine Fehlerbeschreibung


Entsorgung

► Geben Sie das Verpackungsmaterial möglichst in den entsprechenden Recycling-Müll.



Wenn Sie das Produkt endgültig außer Betrieb nehmen, informieren Sie sich bitte beim nächsten Recyclingcenter oder bei Ihrem Fachhändler über die zutreffenden Entsorgungsvorschriften.

Technische Daten

	Hottie
Gaskategorie:	Butan
Gaskartuschentyp:	P220
Produktkategorie:	I _{3B} , Direktdruck
Zündung:	Piezo
Wärmebelastung Brenner:	2,0 kW
Gasverbrauch:	145 g/h
Größe der Düse:	0,50 mm
Abmessungen (H x B x T):	270 x 310 x 160 mm
Gewicht:	1,78 kg
Zulassung:	

Veillez lire et suivre attentivement l'ensemble des instructions, directives et avertissements figurant dans ce manuel afin d'installer, d'utiliser et d'entretenir le produit correctement à tout moment. Ces instructions DOIVENT rester avec le produit.

En utilisant ce produit, vous confirmez expressément avoir lu attentivement l'ensemble des instructions, directives et avertissements et que vous comprenez et acceptez de respecter les modalités et conditions énoncées dans le présent document. Vous acceptez d'utiliser ce produit uniquement pour l'usage et l'application prévus et conformément aux instructions, directives et avertissements figurant dans le présent manuel, ainsi qu'à toutes les lois et réglementations applicables. En cas de non-respect des instructions et avertissements figurant dans ce manuel, vous risquez de vous blesser ou de blesser d'autres personnes, d'endommager votre produit ou d'endommager d'autres biens à proximité. Le présent manuel produit, y compris les instructions, directives et avertissements, ainsi que la documentation associée peuvent faire l'objet de modifications et de mises à jour. Pour obtenir des informations actualisées sur le produit, veuillez consulter le site kampaoutdoors.com.

Signification des symboles



DANGER !

Consignes de sécurité : indiquent une situation dangereuse qui, si elle n'est pas évitée, entraînera des blessures graves, voire mortelles.



AVERTISSEMENT !

Consignes de sécurité : indiquent une situation dangereuse qui, si elle n'est pas évitée, est susceptible d'entraîner des blessures graves, voire mortelles.



ATTENTION !

Consignes de sécurité : indiquent une situation dangereuse qui, si elle n'est pas évitée, est susceptible d'entraîner des blessures légères ou de gravité modérée.

Consignes de sécurité

Sécurité générale



AVERTISSEMENT ! Le non-respect de ces mises en garde peut entraîner des blessures graves, voire mortelles.

Risque d'explosion

- Seul un opérateur qualifié est habilité à effectuer des réparations sur ce radiateur. Toute réparation inappropriée risque d'entraîner de graves dangers.
- Ne modifiez pas ce radiateur.

- Ne retirez ou ne remplacez aucun composant de ce radiateur.
- Ce radiateur doit uniquement être utilisé avec une cartouche de gaz butane Kampa (n° d'article : 9120000991) ou d'autres cartouches P220 conformes à la norme EN 417. Tenter d'installer d'autres types de cartouches de gaz présente un danger.



ATTENTION ! Le non-respect de ces mises en garde peut entraîner des blessures légères ou de gravité modérée.

Risque d'incendie

- Ce radiateur doit uniquement être utilisé par des adultes.
- Ne laissez pas ce radiateur sans surveillance lorsqu'il est chaud ou en marche.
- Munissez-vous d'un extincteur ou de tout autre moyen approprié pour éteindre une flamme.

Risque de brûlures

- Gardez les mains, le visage et les cheveux à distance des brûleurs.
- Ne portez pas de vêtements amples et ne laissez pas vos cheveux longs pendre librement lorsque vous allumez ou utilisez ce radiateur.
- Tenez les enfants et les animaux domestiques à l'écart du produit.
- Surveillez attentivement toute activité à proximité de ce radiateur pour éviter les brûlures ou autres blessures.

Utilisation sécurisée du radiateur



DANGER ! Le non-respect des présentes instructions peut entraîner des blessures graves, voire mortelles.

Risque d'empoisonnement au monoxyde de carbone

- N'utilisez jamais ce radiateur à l'intérieur. Le processus de combustion du gaz liquide produit du monoxyde de carbone qui s'accumule à l'intérieur des espaces clos.

Risque d'étouffement

- L'utilisation de ce radiateur réduit le volume d'oxygène dans les espaces non ventilés.

- N'utilisez pas ce radiateur dans des espaces non ventilés, tels que des pièces fermées, des tentes, des tentes avec auvent, des véhicules, des camping-cars, des caravanes, des navires, bateaux et yachts ou encore des cabines de poids lourds.
- Utilisez ce radiateur uniquement à l'extérieur.



AVERTISSEMENT ! Le non-respect de ces mises en garde peut entraîner des blessures graves, voire mortelles.

Risque d'explosion

- Ce radiateur ne doit être utilisé qu'en plein air, en surface, avec une ventilation naturelle, sans zones stagnantes, où les fuites de gaz et les produits de combustion sont rapidement dispersés par le vent et la convection naturelle.
- N'utilisez pas ce radiateur s'il fuit, s'il est endommagé ou s'il ne fonctionne pas correctement.
- Ne placez pas de produits chimiques, de matériaux inflammables ou d'aérosols à proximité de ce radiateur.
- Ne contrôlez jamais l'étanchéité du produit à l'aide d'une flamme nue.
- Si vous sentez une odeur de gaz :
 - N'essayez pas d'allumer ce radiateur.
 - Éteignez toute flamme nue.
 - Débranchez l'alimentation en gaz.
 - Faites contrôler l'installation de gaz par une entreprise spécialisée.
- Raccordez ou déconnectez uniquement la cartouche de gaz à l'extérieur, loin de toute flamme nue, veilleuse ou autre source d'ignition et uniquement lorsque ce radiateur est froid au toucher.
- Vérifiez que le joint situé entre ce radiateur et la cartouche de gaz est en place et en bon état avant de brancher la cartouche de gaz.
- N'utilisez pas ce radiateur si le joint est endommagé ou usé.
- N'utilisez pas le radiateur sous la lumière directe du soleil.



ATTENTION ! Le non-respect de ces mises en garde peut entraîner des blessures légères ou de gravité modérée.

Risque d'incendie

- Maintenez un espace d'au moins 20 cm entre les côtés et l'arrière du radiateur et toute structure ou objet.

- Laissez un espace d'au moins 100 cm à l'avant du radiateur.
- Maintenez la zone alentour dégagée de tout matériau combustible et de produits inflammables, y compris du bois, des plantes et des herbes sèches, des pinceaux, du papier et des toiles.
- Utilisez uniquement ce radiateur sur une surface nivelée, stable et non combustible, telle que des briques, du béton ou de la terre.
- N'utilisez pas ce radiateur sur une surface susceptible de brûler ou de fondre, comme du bois, de l'asphalte, du vinyle ou du plastique.
- Éloignez tout objet inflammable du brûleur.
- N'utilisez pas ce radiateur pour sécher des vêtements ou d'autres articles inflammables.
- Ne couvrez ou n'obstruez pas le radiateur avec un article ou un objet.
- N'utilisez pas le radiateur pour cuire des aliments et ne le faites pas basculer vers l'arrière.
- Ne placez pas d'aliments sur la grille du foyer.
- En cas d'incendie, coupez l'alimentation en gaz.

Risque de brûlures

- Ne déplacez pas ce radiateur pendant l'utilisation.
- Lorsque vous manipulez des objets chauds, portez des gants de protection.
- Laissez le radiateur refroidir correctement avant de le toucher à mains nues.
- Des parties accessibles peuvent être très chaudes. Tenez l'appareil hors de portée des jeunes enfants.
- La consommation d'alcool ou de médicaments sur ordonnance ou en vente libre peut altérer votre capacité à assembler correctement ou à utiliser le radiateur de façon sécurisée.

Risque pour la santé

- Utilisez uniquement ce radiateur lorsqu'un adulte peut le surveiller.

Consignes de sécurité lors de la manipulation de conteneurs de gaz liquide



AVERTISSEMENT ! Le non-respect de ces mises en garde peut entraîner des blessures graves, voire mortelles.

- Après utilisation, débranchez toujours la cartouche de gaz liquide.
- N'incinerez ou ne percez **jamais** une cartouche de gaz, même si elle est vide.

- N'insérez ou ne retirez **jamais** la cartouche de gaz à l'intérieur, dans des endroits mal ventilés, à proximité d'autres personnes, de sources de chaleur ou lorsque l'appareil est encore chaud.
- N'entrez jamais les cartouches de gaz liquide dans des endroits non aérés ou sous le niveau du sol (cavités en forme de cheminée).
- Ne stockez **jamais** les cartouches de gaz liquide dans des lieux clos tels que les garages.
- Stockez les cartouches de gaz liquide loin des appareils de chauffage ou de cuisson et des autres sources de chaleur, dans un endroit bien ventilé, hors de la portée des enfants.
- Ne stockez pas les cartouches de gaz liquide en position couchée.
- Entrez les cartouches de gaz à l'abri des rayons solaires directs. La température ne doit pas dépasser 50 °C.
- Jetez les cartouches de gaz conformément aux réglementations locales.

- d'usages différents de ceux décrits dans ce manuel

Kampa se réserve le droit de modifier l'apparence et les spécifications produit.

Description technique

Ce radiateur à gaz portable est équipé d'un seul brûleur.

Ce radiateur à gaz est conçu pour être raccordé à une cartouche de gaz butane Kampa (numéro d'article : 9120000991, non fournie) ou d'autres cartouches P220 conformes à la norme EN 417.

Dispositif de sécurité

Ce radiateur à gaz est équipé d'un dispositif de sécurité qui arrête le débit de gaz si la pression dans la cartouche devient trop élevée (par exemple en raison d'une surchauffe).

Si cela se produit :

1. Retirez la source de l'excès de chaleur.
2. Laissez la cartouche de gaz refroidir.
3. Réinitialisez le radiateur.

Pièces et commandes

Pos. dans fig. 1 , page 3	Désignation
1	Grille de protection du foyer
2	Plaque céramique
3	Panneau
4	Poignée
5	Levier de la cartouche de gaz
6	Bouton de commande
7	Orifice de la poignée
8	Couvercle de cartouche
9	Pieds

Usage conforme

Le radiateur à gaz portable Hottie est adapté à ce qui suit :

- Activités extérieures

Le radiateur à gaz portable Hottie n'est **pas** adapté à ce qui suit :

- Utilisation à l'intérieur
- Espaces clos

Ce produit convient uniquement à l'usage et à l'application prévus, conformément au présent manuel d'instructions.

Ce manuel fournit les informations nécessaires à l'installation et/ou à l'utilisation correcte du produit. Une installation, une utilisation ou un entretien inappropriés entraînera des performances insatisfaisantes et une éventuelle défaillance.

Le fabricant décline toute responsabilité en cas de blessure ou de dommage résultant :

- d'un montage ou d'un raccordement incorrect, y compris d'une surtension
- d'un entretien inadéquat ou de l'utilisation de pièces de rechange autres que les pièces de rechange d'origine fournies par le fabricant
- de modifications apportées au produit sans autorisation explicite du fabricant

Utilisation du radiateur



ATTENTION ! Risque de brûlures

- Gardez les mains, le visage et les cheveux à distance des brûleurs.
- Ne portez pas de vêtements amples et ne laissez pas vos cheveux longs pendre librement lorsque vous allumez ou utilisez ce radiateur.
- Tenez les enfants et les animaux domestiques à l'écart du produit.
- Surveillez attentivement toute activité à proximité de ce radiateur pour éviter les brûlures ou autres blessures.
- Ne déplacez pas le radiateur pendant l'utilisation.
- Ne touchez pas les parties chaudes du radiateur pendant et après son utilisation.
- Laissez le radiateur refroidir correctement avant de le ranger.
- Après utilisation, débranchez toujours la cartouche de gaz liquide.

Mise en place du radiateur

Lors du choix du lieu d'installation de ce radiateur, respectez les instructions suivantes :

- Placez le radiateur à l'extérieur.
- Le lieu de montage doit être bien aéré. Ne le placez pas dans une cavité pour éviter que des gaz ne s'y accumulent.
- Gardez le radiateur à l'abri du vent et des courants d'air directs.
- Enlevez tout matériau combustible dans la zone environnante.
- Choisissez une surface plane, stable et non-inflammable pour positionner le radiateur.
- Ne placez jamais le radiateur à proximité ou sur des matériaux inflammables, même lors de son refroidissement. Maintenez une distance de sécurité d'au moins 100 cm par rapport à tout matériau inflammable.
- Le produit doit reposer sur un socle qui peut supporter une chaleur d'au moins 80 °C. Le châssis peut devenir très chaud lors de son utilisation.

- Respectez les consignes de sécurité, voir chapitre « Consignes de sécurité lors de la manipulation de conteneurs de gaz liquide », page 20.

Insertion de la cartouche de gaz



AVERTISSEMENT ! Risque d'explosion

Vérifiez que la valve d'étanchéité de la cartouche est en place et en bon état avant d'insérer la cartouche de gaz.

1. Procédez comme indiqué (fig. **2**, page 3).
2. N'appliquez pas de force excessive. Si le levier de verrouillage de la cartouche ne s'abaisse pas, vérifiez la position de l'encoche.
3. Si vous entendez un sifflement, la cartouche de gaz n'a pas été montée correctement. Relevez le levier de verrouillage de la cartouche et repositionnez-la.

Allumage et commandes du radiateur



AVERTISSEMENT ! Risque pour la santé

Ne laissez pas le produit sans surveillance lorsqu'il est en marche.

1. Procédez comme indiqué (fig. **3**, page 4).
2. Si le brûleur ne s'allume pas, répétez les étapes d'allumage.

Retrait de la cartouche de gaz



AVERTISSEMENT ! Risque pour la santé

- Ne transportez ou ne stockez pas le radiateur avec la cartouche de gaz insérée.
- Retirez la cartouche de gaz dans un endroit bien ventilé.
- Veillez à ce qu'il n'y ait pas de flamme à proximité.
- Retirez uniquement la cartouche de gaz lorsque le radiateur est éteint et a refroidi.

La cartouche peut être déconnectée même s'il reste du gaz.

1. Procédez comme indiqué (fig. **4**, page 5).

2. Pour vérifier le contenu d'une cartouche, secouez-la pour détecter la présence de gaz liquide.
3. Remettez le capuchon de protection et rangez la cartouche de gaz dans un endroit frais, sec et bien ventilé, hors de portée des enfants.
4. Vérifiez la valve d'étanchéité de la cartouche. Faites remplacer le joint par une personne qualifiée si le matériau est craquelé ou poreux.
3. Retirez la cartouche de gaz du radiateur (voir chapitre « Retrait de la cartouche de gaz », page 22).
4. Nettoyez le radiateur (voir chapitre « Nettoyage et entretien », page 23).
5. Entrez le radiateur à un endroit stable et plat, hors de portée des enfants.

Déplacement et stockage du radiateur



AVERTISSEMENT ! Risque pour la santé

Ne transportez ou ne stockez pas le radiateur avec la cartouche de gaz insérée.

Procédez comme suit :

1. Éteignez le radiateur.
2. Laissez le radiateur refroidir complètement.

Dépannage

Panne	Cause	Solution
Impossible d'installer la cartouche	Le bouton de commande n'est pas complètement tourné en position « OFF »	Tournez complètement le bouton de commande en position « OFF » et réinstallez la cartouche.
	Installation incorrecte de la cartouche	Veillez à ce que la languette du régulateur soit alignée avec l'encoche dans le col de cartouche.
Pas d'alimentation en gaz en position « MAX »	Il ne reste plus de gaz dans la cartouche	Remplacez la cartouche de gaz.
	Installation incorrecte de la cartouche	Veillez à ce que la languette du régulateur soit alignée avec l'encoche dans le col de cartouche.
	Dispositif de sécurité activé	Laissez la cartouche refroidir.
	Dysfonctionnement du bouton de commande	Contactez un technicien agréé pour une réparation.
	Embout obstrué	Contactez un technicien agréé pour une réparation.

Panne	Cause	Solution
Odeur de gaz en position « OFF »	Installation incorrecte de la cartouche	Veillez à ce que la languette du régulateur soit alignée avec l'encoche dans le col de cartouche.
	Dysfonctionnement du bouton de commande	Contactez un technicien agréé pour une réparation.
Petite flamme	Il ne reste plus de gaz dans la cartouche	Remplacez la cartouche de gaz.
	Orifices du brûleur obstrués	Utilisez une brosse métallique pour nettoyer les orifices du brûleur.
	Dysfonctionnement du bouton de commande	Contactez un technicien agréé pour une réparation.
	Embout obstrué	Contactez un technicien agréé pour une réparation.
Flamme irrégulière	Il ne reste plus de gaz dans la cartouche	Remplacez la cartouche de gaz.
	Orifices du brûleur obstrués	Utilisez une brosse métallique pour nettoyer les orifices du brûleur.
Pas d'allumage/allumage défail- lant	Il ne reste plus de gaz dans la cartouche	Remplacez la cartouche de gaz.
	Installation incorrecte de la cartouche	Veillez à ce que la languette du régulateur soit alignée avec l'encoche dans le col de cartouche.
	Dispositif de sécurité activé	Laissez la cartouche refroidir.
	Orifices du brûleur obstrués	Utilisez une brosse métallique pour nettoyer les orifices du brûleur.
	Électrode déformée ou rouillée	Nettoyez l'électrode.
	Dysfonctionnement du bouton de commande	Contactez un technicien agréé pour une réparation.
	Embout obstrué	Contactez un technicien agréé pour une réparation.
Extinction pendant le fonctionne- ment	Il ne reste plus de gaz dans la cartouche	Remplacez la cartouche de gaz.
	Dispositif de sécurité activé	Laissez la cartouche refroidir.

Garantie

La période de garantie légale s'applique. Si le produit est défectueux, veuillez contacter la filiale locale du fabricant (voir kampaoutdoors.com/store-locator) ou votre revendeur.

Pour toutes réparations ou autres prestations de garantie, veuillez joindre à l'appareil les documents suivants :

- une copie de la facture avec la date d'achat

- un motif de réclamation ou une description du dysfonctionnement

Mise au rebut

► Jetez les emballages dans les conteneurs de déchets recyclables prévus à cet effet.



Lorsque vous mettrez votre produit définitivement hors service, informez-vous auprès du centre de recyclage le plus proche ou auprès de votre revendeur spécialisé sur les prescriptions relatives au traitement des déchets.

Caractéristiques techniques

	Hottie
Catégorie de gaz :	Butane
Type de cartouche de gaz :	P220
Catégorie de produit :	I _{3B} , pression directe
Allumage :	Piézo
Puissance calorifique du brûleur :	2,0 kW
Consommation de gaz :	145 g/h
Taille d'injecteur :	0,50 mm
Dimensions (H x l x P) :	270 x 310 x 160 mm
Poids :	1,78 kg
Certification :	CE

Lea atentamente estas instrucciones y siga las indicaciones, directrices y advertencias incluidas en este manual para asegurarse de que instala, utiliza y mantiene correctamente el producto en todo momento. Estas instrucciones DEBEN permanecer con este producto.

Al utilizar el producto, usted confirma que ha leído cuidadosamente todas las instrucciones, directrices y advertencias, y que entiende y acepta cumplir los términos y condiciones aquí establecidos. Usted se compromete a utilizar este producto solo para el propósito y la aplicación previstos y de acuerdo con las instrucciones, directrices y advertencias establecidas en este manual del producto, así como de acuerdo con todas las leyes y reglamentos aplicables. La no lectura y observación de las instrucciones y advertencias aquí expuestas puede causarles lesiones a usted o a terceros, daños en el producto o daños en otras propiedades cercanas. Este manual del producto, incluyendo las instrucciones, directrices y advertencias, y la documentación relacionada, pueden estar sujetos a cambios y actualizaciones. Para obtener información actualizada sobre el producto, visite la página kampaoutdoors.com.

Explicación de los símbolos



¡PELIGRO!

Indicación de seguridad: Indica una situación peligrosa que, de no evitarse, ocasionará la muerte o lesiones graves.



¡ADVERTENCIA!

Indicación de seguridad: Indica una situación peligrosa que, de no evitarse, puede ocasionar la muerte o lesiones graves.



¡ATENCIÓN!

Indicación de seguridad: Indica una situación peligrosa que, de no evitarse, puede ocasionar lesiones moderadas o leves.

Indicaciones de seguridad

Seguridad general



¡ADVERTENCIA! El incumplimiento de estas advertencias podría acarrear la muerte o lesiones graves.

Peligro de explosión

- Esta estufa solo puede ser reparada por personal cualificado. Las reparaciones realizadas incorrectamente pueden generar situaciones de considerable peligro.
- NO MODIFIQUE ESTA ESTUFA.
- No retire ni sustituya ninguna pieza de esta estufa.

- Esta estufa solo se debe utilizar con un cartucho de gas butano Kampa (n.º de art. 9120000991) u otros cartuchos P220 que cumplan con la norma EN 417. Puede ser peligroso intentar adaptarle otros tipos de bombonas de gas.



¡ATENCIÓN! El incumplimiento de estas precauciones podría acarrear lesiones moderadas o leves.

Peligro de incendio

- Esta estufa solo debe ser utilizada por personas adultas.
- No deje esta estufa sin vigilancia cuando esté caliente o en uso.
- Tenga preparado un extintor u otro medio adecuado para extinguir llamas.

Peligro de quemaduras

- Mantenga las manos, la cara y el pelo alejados de los quemadores.
- No lleve ropa suelta y lleve el pelo recogido cuando encienda o utilice esta estufa.
- Mantenga alejados a los niños y animales domésticos.
- Controle atentamente la actividad alrededor de esta estufa para evitar quemaduras u otras lesiones.

Funcionamiento seguro de la estufa



¡PELIGRO! La no observación de estas instrucciones puede causar heridas fatales o severas.

Peligro de intoxicación por monóxido de carbono

- No utilice nunca esta estufa en interiores. El proceso de combustión del gas licuado produce monóxido de carbono que se acumula en los espacios cerrados.

Peligro de asfixia

- El uso de esta estufa en un entorno sin ventilación reduce la cantidad de oxígeno de ese entorno.
- No utilice esta estufa en áreas sin ventilación como habitaciones cerradas, tiendas de campaña, avancés, vehículos a motor, caravanas, autocaravanas, interiores de barcos, yates o embarcaciones y cabinas de camión.
- Solo para uso en exteriores.



¡ADVERTENCIA! El incumplimiento de estas advertencias podría acarrear la muerte o lesiones graves.

Peligro de explosión

- Esta estufa solo debe utilizarse en lugares situados al aire libre y sobre el nivel del suelo, con ventilación natural y sin zonas estancadas, donde cualquier fuga de gas y los productos de la combustión puedan dispersarse con rapidez por la acción del viento y la convección natural.
- No utilice esta estufa si tiene fugas, está dañada o no funciona correctamente.
- No coloque productos químicos, materiales inflamables ni aerosoles de espray cerca de esta estufa.
- Nunca utilice nunca una llama para comprobar la existencia de fugas de gas.
- Si nota olor a gas:
 - No intente encender esta estufa.
 - Apague cualquier llama existente.
 - Desconecte del suministro de gas.
 - Solicite que una empresa especializada compruebe la instalación de gas.
- Coloque o extraiga el cartucho de gas únicamente al aire libre, lejos de llamas encendidas, indicadores luminosos u otras fuentes de ignición, y solo cuando la estufa esté fría al tacto.
- Compruebe que la junta entre la estufa y el cartucho de gas esté bien colocada y en buen estado antes de utilizar el cartucho de gas.
- No utilice esta estufa si la junta está dañada o desgastada.
- No utilice la estufa bajo la luz solar directa.



¡ATENCIÓN! El incumplimiento de estas precauciones podría acarrear lesiones moderadas o leves.

Peligro de incendio

- Mantenga una distancia mínima de al menos 20 cm desde el lateral y la parte trasera de la estufa a cualquier objeto u elemento constructivo.
- Mantenga una distancia mínima de 100 cm desde la parte delantera de la estufa.
- Mantenga el perímetro libre de cualquier material combustible y líquidos inflamables, incluyendo madera, plantas y hierba seca, maleza, papel y lona.
- Utilice esta estufa únicamente sobre una superficie plana, estable y no inflamable, como ladrillos, hormigón o tierra.

- No utilice esta estufa sobre superficies que puedan arder o fundirse, como madera, asfalto, vinilo o plástico.
- Mantenga los objetos inflamables lejos del quemador. No utilice la estufa para secar telas u otros objetos inflamables.
- No cubra ni obstruya la estufa con ningún artículo u objeto.
- No utilice la estufa para cocinar ni la tumbes sobre su parte posterior.
- No coloque alimentos en la parrilla del quemador.
- En caso de incendio, cierre el suministro de gas.

Peligro de quemaduras

- No mueva la estufa durante su uso.
- Utilice guantes protectores cuando manipule las partes calientes.
- Deje que la estufa se enfríe completamente antes de tocarla directamente con las manos.
- Las piezas accesibles pueden estar muy calientes. Mantenga a los niños alejados.
- El consumo de alcohol o medicamentos con o sin receta puede alterar su capacidad para montar correctamente o manejar con seguridad esta estufa.

Riesgo para la salud

- Utilice esta estufa siempre bajo la supervisión de un adulto.

Precauciones de seguridad al manipular gas licuado



¡ADVERTENCIA! El incumplimiento de estas advertencias podría acarrear la muerte o lesiones graves.

- Después de su uso, desconecte siempre el cartucho de gas licuado.
- **Nunca** incinere ni perforo un cartucho de gas aunque esté vacío.
- **Nunca** introduzca o retire el cartucho de gas en interiores, zonas mal ventiladas, cerca de otras personas, cerca de fuentes de calor o cuando el aparato esté todavía caliente.
- **Nunca** guarde cartuchos de gas en lugares sin ventilación ni por debajo el nivel del suelo (cavidades en forma de embudo realizadas en el suelo).
- **Nunca** guarde cartuchos de gas en edificios como garajes.

- Guarde los cartuchos de gas lejos de aparatos de calefacción o cocina y otras fuentes de calor, en un lugar bien ventilado y fuera del alcance de los niños.
- No guarde los cartuchos de gas tumbados.
- Proteja los cartuchos de gas de la luz solar directa. La temperatura no debe superar los 50 °C.
- Deseche los cartuchos de gas de acuerdo con la normativa de las autoridades locales.

Uso previsto

La estufa de gas portátil Hottie es adecuada para:

- Actividades al aire libre

La estufa de gas portátil Hottie **no** es adecuada para:

- Uso en interiores
- Espacios cerrados

Este producto solo es apto para el uso previsto y la aplicación de acuerdo con estas instrucciones.

Este manual proporciona la información necesaria para la correcta instalación y/o funcionamiento del producto. Una instalación deficiente y/o un uso y mantenimiento inadecuados conllevan un rendimiento insatisfactorio y posibles fallos.

El fabricante no se hace responsable de ninguna lesión o daño en el producto ocasionados por:

- Un montaje o conexión incorrectos, incluido un exceso de tensión
- Un mantenimiento incorrecto o el uso de piezas de repuesto distintas de las originales proporcionadas por el fabricante
- Modificaciones realizadas en el producto sin el expreso consentimiento del fabricante
- Uso con una finalidad distinta de la descrita en las instrucciones

Kampa se reserva el derecho de cambiar la apariencia y las especificaciones del producto.

Descripción técnica

Esta estufa de gas portátil tiene un quemador.

Esta estufa está diseñada para ser conectada a un cartucho de gas butano Kampa (n.º de art. 9120000991, no suministrado) o a otros cartuchos P220 que cumplan con la norma EN 417.

Dispositivo de seguridad

Esta estufa de gas está equipada con un dispositivo de seguridad que interrumpe el flujo de gas si la presión en el cartucho es demasiado alta (por ejemplo, debido a un sobrecalentamiento).

Si esto ocurre :

1. Retire la fuente del exceso de calor.
2. Deje que el cartucho de gas se enfríe.
3. Vuelva a encender la estufa.

Piezas y controles

Núm. en fig. 1, página 3	Denominación
1	Protección
2	Placa cerámica
3	Panel
4	Asa
5	Palanca del cartucho de gas
6	Perilla de control
7	Hendidura para asir
8	Tapa del cartucho
9	Patas

Uso de la estufa



¡ATENCIÓN! Peligro de quemaduras

- Mantenga las manos, la cara y el pelo alejados de los quemadores.
- No lleve ropa suelta y lleve el pelo recogido cuando encienda o utilice esta estufa.
- Mantenga alejados a los niños y animales domésticos.
- Controle atentamente la actividad alrededor de esta estufa para evitar quemaduras u otras lesiones.
- No mueva la estufa durante su uso.
- No toque las partes calientes de la estufa durante y después de su uso.
- Deje que la estufa se enfríe completamente antes de guardarla.
- Después de su uso, desconecte siempre el cartucho de gas licuado.

Ubicación de la estufa

Tenga en cuenta las siguientes instrucciones a la hora de elegir una ubicación para colocar esta estufa:

- Sitúe la estufa al aire libre.
- La ubicación tiene que estar bien ventilada. No coloque el aparato en un lugar profundo donde se puedan acumular gases.
- Mantenga la estufa protegida del viento y de las corrientes de aire directas.
- Retire todo el material combustible de la zona circundante.
- Elija una superficie estable y no inflamable para colocar la estufa.
- Nunca coloque la estufa cerca o encima de materiales inflamables, ni siquiera cuando se esté enfriando. Mantenga una distancia de al menos 100 cm con respecto a cualquier material inflamable.
- El producto debe colocarse sobre una base que pueda soportar un calor de hasta 80 °C. La carcasa puede calentarse mucho durante el funcionamiento.

- Tenga en cuenta las indicaciones de seguridad, véase capítulo “Precauciones de seguridad al manipular gas licuado” en la página 27.

Inserción del cartucho de gas



¡ADVERTENCIA! Peligro de explosión

Antes de introducir el cartucho de gas, compruebe que la válvula de cierre del cartucho esté bien colocada y en buen estado.

1. Proceda de la forma indicada (fig. **2**, página 3).
2. No aplique una fuerza excesiva. Si la palanca de bloqueo del cartucho no cede hacia abajo, compruebe la posición de la muesca.
3. Si se oye un siseo, significa que el cartucho de gas no se ha colocado correctamente. Suelte la palanca de bloqueo y vuelva a colocar el cartucho.

Encendido y control de la estufa



¡ADVERTENCIA! Riesgo para la salud

No deje el producto desatendido mientras esté en funcionamiento.

1. Proceda de la forma indicada (fig. **3**, página 4).
2. Si el quemador no se enciende, repita el proceso de encendido.

Extracción del cartucho de gas



¡ADVERTENCIA! Riesgo para la salud

- No transporte ni guarde la estufa con el cartucho de gas insertado.
- Retire el cartucho de gas en un lugar bien ventilado.
- Asegúrese de que no haya llamas encendidas en las cercanías.
- Retire el cartucho de gas solo cuando la estufa esté apagada y se haya enfriado.

El cartucho puede desconectarse aunque quede algo de gas.

1. Proceda de la forma indicada (fig. 4, página 5).
2. Compruebe el contenido del cartucho agitando y escuchando el gas líquido.
3. Vuelva a colocar la tapa protectora y guarde el cartucho de gas en un lugar fresco, seco, bien ventilado y fuera del alcance de los niños.
4. Compruebe la válvula de cierre del cartucho. Si el material de la junta está en mal estado o presenta poros, mándelo sustituir por una persona cualificada.

Traslado y almacenamiento de la estufa



¡ADVERTENCIA! Riesgo para la salud

No transporte ni guarde la estufa con el cartucho de gas insertado.

Siga los siguientes pasos:

Solución de problemas

Fallo	Causa	Solución
No se puede instalar el cartucho	La perilla de control no se ha girado completamente hasta la posición OFF	Gire la perilla de control completamente hasta la posición OFF y vuelva a colocar el cartucho.
	Instalación incorrecta del cartucho	Asegúrese de que la lengüeta del regulador esté encajada en la muesca del cuello del cartucho.
No hay suministro de gas en la posición MAX	No queda gas en el cartucho	Cambie el cartucho.
	Instalación incorrecta del cartucho	Asegúrese de que la lengüeta del regulador esté encajada en la muesca del cuello del cartucho.
	Dispositivo de seguridad activado	Deje que el cartucho se enfríe.
	Mal funcionamiento de la perilla de control	Póngase en contacto con un técnico autorizado para la reparación.
	Boquilla obstruida	Póngase en contacto con un técnico autorizado para la reparación.

1. Apague la estufa.
2. Deje que la estufa se enfríe completamente.
3. Retire el cartucho de gas de la estufa (véase capítulo “Extracción del cartucho de gas” en la página 29).
4. Limpie la estufa (véase capítulo “Limpieza y cuidado” en la página 30).
5. Guarde la estufa en un lugar horizontal, estable y fuera del alcance de los niños.

Limpieza y cuidado

Limpie la estufa después de cada uso:

1. Asegúrese de que el producto esté frío.
2. Retire el cartucho de gas del producto.
3. Lave las superficies del producto con agua caliente y jabón.
4. Compruebe periódicamente que el quemador no presente suciedad, como insectos. Utilice un cepillo para limpiarlo.

Fallo	Causa	Solución
Olor a gas en posición OFF	Instalación incorrecta del cartucho	Asegúrese de que la lengüeta del regulador esté encajada en la muesca del cuello del cartucho.
	Mal funcionamiento de la perilla de control	Póngase en contacto con un técnico autorizado para la reparación.
Llama pequeña	No queda gas en el cartucho	Cambie el cartucho.
	Orificios del quemador obstruidos	Utilice un cepillo metálico para limpiar los orificios del quemador.
	Mal funcionamiento de la perilla de control	Póngase en contacto con un técnico autorizado para la reparación.
	Boquilla obstruida	Póngase en contacto con un técnico autorizado para la reparación.
Llama irregular	No queda gas en el cartucho	Cambie el cartucho.
	Orificios del quemador obstruidos	Utilice un cepillo metálico para limpiar los orificios del quemador.
No se enciende/encendido defectuoso	No queda gas en el cartucho	Cambie el cartucho.
	Instalación incorrecta del cartucho	Asegúrese de que la lengüeta del regulador esté encajada en la muesca del cuello del cartucho.
	Dispositivo de seguridad activado	Deje que el cartucho se enfríe.
	Orificios del quemador obstruidos	Utilice un cepillo metálico para limpiar los orificios del quemador.
	Electrodo doblado u oxidado	Limpie el electrodo.
	Mal funcionamiento de la perilla de control	Póngase en contacto con un técnico autorizado para la reparación.
	Boquilla obstruida	Póngase en contacto con un técnico autorizado para la reparación.
Se apaga en pleno funcionamiento	No queda gas en el cartucho	Cambie el cartucho.
	Dispositivo de seguridad activado	Deje que el cartucho se enfríe.

Garantía

Se aplica el período de garantía estipulado por la ley. Si el producto es defectuoso, contacte con su punto de venta o con la sucursal del fabricante en su país (kampaoutdoors.com/store-locator).

Para tramitar la reparación y la garantía, incluya los siguientes documentos cuando envíe el aparato:

- Una copia de la factura con fecha de compra

- El motivo de la reclamación o una descripción de la avería


Gestión de residuos

- Deseche el material de embalaje en el contenedor de reciclaje correspondiente.



Cuando vaya a desechar definitivamente el producto, infórmese en el centro de reciclaje más cercano o en un comercio especializado sobre las normas pertinentes de eliminación de materiales.

Datos técnicos

	Hottie
Categoría de gas:	Butano
Tipo de cartucho de gas:	P220
Categoría de producto:	I _{3B} , presión directa
Encendido:	Piezoeléctrico
Aporte térmico del quemador:	2,0 kW
Consumo de gas:	145 g/h
Tamaño del inyector:	0,50 mm
Dimensiones (H x A x P):	270 x 310 x 160 mm
Peso:	1,78 kg
Certificación:	

Leia atentamente as presentes instruções e siga todas as instruções, orientações e avisos incluídos neste manual, de modo a garantir a correta instalação, utilização e manutenção do produto. É OBRIGATÓRIO manter estas instruções junto com o produto.

Ao utilizar o produto, está a confirmar que leu atentamente todas as instruções, orientações e avisos, e que compreende e aceita cumprir os termos e condições estabelecidos no presente manual. Aceita utilizar este produto exclusivamente para o fim e a aplicação a que se destina e de acordo com as instruções, orientações e avisos estabelecidos neste manual, assim como de acordo com todas as leis e regulamentos aplicáveis. Caso não leia nem siga as instruções e os avisos aqui estabelecidos, poderá sofrer ferimentos pessoais ou causar ferimentos a terceiros e o produto ou outros materiais nas proximidades poderão ficar danificados. Este manual do produto, incluindo as instruções, orientações e avisos, bem como a documentação relacionada, podem estar sujeitos a alterações e atualizações. Para consultar as informações atualizadas do produto, visite kampaoutdoors.com.

Explicação dos símbolos



PERIGO!

Indicação de segurança: indica uma situação perigosa que, se não for evitada, resultará em morte ou ferimentos graves.



AVISO!

Indicação de segurança: Indica uma situação perigosa que, se não for evitada, pode causar a morte ou ferimentos graves.



PRECAUÇÃO!

Indicação de segurança: Indica uma situação perigosa que, se não for evitada, pode causar ferimentos ligeiros ou moderados.

Indicações de segurança

Princípios básicos de segurança



AVISO! O incumprimento destes avisos poderá resultar em morte ou ferimentos graves.

Perigo de explosão

- O aquecedor só pode ser reparado por técnicos qualificados. Reparações inadequadas podem originar perigos graves.
- Não efetue quaisquer modificações neste aquecedor.
- Não remova nem substitua nenhum componente deste aquecedor.

- Este aquecedor só pode ser utilizado com um cartucho de gás butano Kampa (n.º art. 9120000991) ou com outros cartuchos P220 em conformidade com a norma EN 417. Pode ser perigoso tentar instalar outros tipos de recipientes de gás.



PRECAUÇÃO! O incumprimento destas advertências poderá resultar em ferimentos ligeiros ou moderados.

Perigo de incêndio

- Este aquecedor só pode ser operado por adultos.
- Não deixe este aquecedor sem supervisão enquanto estiver quente ou durante o seu funcionamento.
- Tenha um extintor de incêndio ou outros meios adequados para extinguir chamas prontos para serem usados.

Risco de queimaduras

- Mantenha as mãos, o rosto e o cabelo afastados de queimadores.
- Não utilize roupa larga e não deixe o cabelo solto quando acender ou utilizar este aquecedor.
- Mantenha crianças e animais domésticos afastados e em segurança.
- Monitorize com atenção todas as atividades realizadas nas proximidades deste aquecedor, de modo a evitar queimaduras ou outros ferimentos.

Segurança durante a utilização deste aquecedor



PERIGO! O incumprimento destas instruções provocará a morte ou ferimentos graves.

Risco de envenenamento por monóxido de carbono

- Nunca utilize este aquecedor em espaços fechados. A queima de gás liquefeito produz monóxido de carbono, o qual, por sua vez, se acumula em áreas fechadas.

Perigo de asfixia

- A operação deste aquecedor num espaço não ventilado provoca insuficiência de oxigénio neste espaço.

- Não opere este aquecedor em zonas não ventiladas como espaços fechados, tendas, avançados, automóveis, caravanas, autocaravanas ou dentro de navios, iates, barcos ou cabinas de camiões.
- Utilize apenas no exterior.



AVISO! O incumprimento destes avisos poderá resultar em morte ou ferimentos graves.

Perigo de explosão

- Este aquecedor deverá ser utilizado apenas numa posição a céu aberto e à superfície, com ventilação natural, sem áreas estagnadas, em que as fugas de gás e os produtos de combustão sejam rapidamente dispersos pelo vento e por convecção natural.
- Não utilize este aquecedor, se o mesmo apresentar fugas, danos ou não funcionar corretamente.
- Não coloque químicos, materiais inflamáveis nem aerossóis em spray nas proximidades deste aquecedor.
- Nunca verifique o aparelho quanto a fugas com uma chama aberta.
- Se se aperceber de cheiro a gás:
 - Não tente acender este aquecedor.
 - Apague todas as chamas abertas.
 - Desligue do abastecimento de gás.
 - Solicite a verificação do sistema de gás por um especialista.
- Insira ou remova o cartucho de gás apenas no exterior e longe de chamas abertas, luzes-piloto ou outras fontes de ignição, e apenas quando este aquecedor estiver frio ao toque.
- Antes de utilizar o cartucho de gás, verifique se o vedante entre este aquecedor e o cartucho de gás está na posição correta e em boas condições.
- Não utilize este aquecedor se o vedante estiver danificado ou desgastado.
- Não exponha o aquecedor ao sol.



PRECAUÇÃO! O incumprimento destas advertências poderá resultar em ferimentos ligeiros ou moderados.

Perigo de incêndio

- Mantenha uma distância mínima de pelo menos 20 cm entre os lados e a parte posterior do aquecedor e qualquer outra estrutura ou objeto.

- Mantenha uma distância mínima de pelo menos 100 cm entre a parte frontal do aquecedor e qualquer outra estrutura ou objeto.
- Mantenha a área envolvente livre de quaisquer materiais combustíveis e de líquidos inflamáveis, incluindo madeira, plantas secas e suculentas, mato, papel e lonas.
- Utilize este aquecedor apenas numa superfície plana, estável e incombustível, tal como tijolos, betão ou terra.
- Não utilize este aquecedor em superfícies que podem incendiar-se ou derreter, tal como madeira, asfalto, vinil ou plástico.
- Mantenha os objetos inflamáveis longe do queimador. Não utilize o aquecedor para secar panos ou outros objetos inflamáveis.
- Não cubra nem obstrua o aquecedor com nenhum tipo de artigo ou objeto.
- Não utilize o aquecedor como fogão nem o tombe para ficar de costas.
- Não coloque alimentos na grade do aquecedor.
- Em caso de incêndio, desligue o abastecimento de gás.

Risco de queimaduras

- Não desloque este aquecedor durante a utilização.
- Use luvas de proteção ao mexer em componentes quentes.
- Deixe este aquecedor arrefecer devidamente antes de lhe tocar com as mãos desprotegidas.
- Existem partes acessíveis que podem estar quentes. Mantenha crianças pequenas afastadas.
- O consumo de álcool ou a toma de medicamentos prescritos ou sem necessidade de receita médica podem prejudicar a sua capacidade de montar adequadamente este aquecedor ou de o utilizar com segurança.

Risco para a saúde

- Opere este aquecedor apenas quando um adulto puder supervisionar a operação.

Medidas de segurança para o manuseio de gás liquefeito



AVISO! O incumprimento destes avisos poderá resultar em morte ou ferimentos graves.

- Após a utilização, desconecte sempre o cartucho de gás liquefeito.

- **Nunca** queime nem perfure um cartucho de gás, mesmo que este esteja vazio.
- **Nunca** insira ou remova o cartucho de gás em espaços fechados, em áreas mal ventiladas, perto de outras pessoas, na proximidade de fontes de calor ou se o aparelho ainda estiver quente.
- **Nunca** armazene os cartuchos de gás em locais sem ventilação ou abaixo do nível do solo (cavidades no solo em forma de funil).
- **Nunca** armazene os cartuchos de gás em edifícios como garagens.
- Armazene os cartuchos de gás longe de aparelhos de aquecimento ou de cozinha e de fontes de calor, colocando-os numa área bem ventilada e fora do alcance das crianças.
- Não armazene os cartuchos de gás deitados de lado.
- Proteja os cartuchos de gás da luz solar direta. A temperatura não deve exceder os 50 °C.
- Elimine os cartuchos de gás de acordo com os regulamentos prescritos pelas autoridades locais.

Utilização adequada

O aquecedor a gás portátil Hottie é adequado para:

- Atividades ao ar livre

O aquecedor a gás portátil Hottie **não** é adequado para:

- Utilização em interiores
- Espaços fechados

Este produto destina-se exclusivamente à aplicação e aos fins pretendidos com base nestas instruções.

Este manual fornece informações necessárias para proceder a uma instalação e/ou a uma operação adequadas do produto. Uma instalação e/ou uma operação ou manutenção incorretas causarão um desempenho insatisfatório e uma possível avaria.

O fabricante não aceita qualquer responsabilidade por danos ou prejuízos no produto resultantes de:

- Montagem ou ligação incorreta, incluindo sobretensões
- Manutenção incorreta ou utilização de peças sobressalentes não originais fornecidas pelo fabricante

- Alterações ao produto sem autorização expressa do fabricante
- Utilização para outras finalidades que não as descritas no presente manual

A Kampa reserva-se o direito de alterar o design e as especificações do produto.

Descrição técnica

Este aquecedor a gás possui um queimador.

Este aquecedor a gás está concebido para ser ligado ao cartucho de gás butano Kampa (n.º art. 9120000991, não fornecido) ou a outros cartuchos P220 em conformidade com a norma EN 417.

Dispositivo de segurança

Este aquecedor a gás está equipado com um dispositivo de segurança que corta o fluxo de gás quando a pressão no cartucho sobe demasiado, por exemplo, devido a sobreaquecimento.

Se tal acontecer:

1. Remova a fonte do calor em excesso.
2. Deixe que o cartucho de gás arrefeça.
3. Reinicialize o aquecedor.

Componentes e comandos

N.º na fig. 1, página 3	Designação
1	Grade de proteção
2	Prato de cerâmica
3	Painel
4	Pega
5	Alavanca do cartucho de gás
6	Botão de controlo
7	Reentrância para mão
8	Tampa do cartucho
9	Pés

Utilizar este aquecedor



PRECAUÇÃO! Risco de queimaduras

- Mantenha as mãos, o rosto e o cabelo afastados de queimadores.
- Não utilize roupa larga e não deixe o cabelo solto quando acender ou utilizar este aquecedor.
- Mantenha crianças e animais domésticos afastados e em segurança.
- Monitorize com atenção todas as atividades realizadas nas proximidades deste aquecedor, de modo a evitar queimaduras ou outros ferimentos.
- Não desloque o aquecedor durante a utilização.
- Não toque nas partes quentes do aquecedor durante a utilização nem depois.
- Antes de armazenar o aquecedor, deixe-o arrefecer completamente.
- Após a utilização, desconecte sempre o cartucho de gás liquefeito.

Instalar o aquecedor

Ao escolher o local de instalação do aquecedor, cumpra as seguintes instruções:

- Instale o aquecedor ao ar livre.
- O local tem de ser bem ventilado. Não instale o produto numa cavidade, de modo a evitar a acumulação de gases.
- Proteja o aquecedor contra vento e correntes de ar diretas.
- Retire todos os materiais combustíveis da área envolvente.
- Escolha uma superfície plana, estável e incombustível para colocar o aquecedor.
- Nunca instale o aquecedor nas proximidades ou em cima de materiais inflamáveis, mesmo quando o produto estiver a arrefecer. Mantenha uma distância de pelo menos 100 cm em relação a materiais inflamáveis.
- O produto tem de estar apoiado sobre uma base com resistência a temperaturas de, pelo menos, 80 °C. A caixa pode ficar muito quente durante a utilização.

- Respeite as indicações de segurança, consulte capítulo “Medidas de segurança para o manuseio de gás liquefeito” na página 34.

Inserir o cartucho de gás



AVISO! Perigo de explosão

Antes de inserir o cartucho de gás, verifique se a válvula de vedação do cartucho está na posição correta e em boas condições.

1. Proceda como ilustrado (fig. **2**, página 3).
2. Não aplique demasiada força. Se não conseguir empurrar para baixo a alavanca de bloqueio do cartucho, verifique a posição do entalhe.
3. Se ouvir um sibilo, isso significa que o cartucho de gás não foi instalado corretamente. Solte a alavanca de bloqueio do cartucho e volte a posicionar o cartucho.

Acender e comandar o aquecedor



AVISO! Risco para a saúde

Não deixe o produto sem supervisão durante o funcionamento.

1. Proceda como ilustrado (fig. **3**, página 4).
2. Se o queimador não acender, repita o processo de ignição.

Remover o cartucho de gás



AVISO! Risco para a saúde

- Não transporte nem armazene o aquecedor com o cartucho de gás instalado.
- Remova o cartucho de gás num local bem ventilado.
- Assegure-se de que não há chamas abertas nas proximidades.
- Remova o cartucho de gás apenas quando o aquecedor estiver desligado e frio.

É possível desinstalar o cartucho mesmo se este ainda tiver algum gás.

1. Proceda como ilustrado (fig. **4**, página 5).

2. Para verificar se o cartucho ainda tem gás, abane-o e preste atenção a ruídos que apontam para a presença de gás liquefeito.
3. Coloque novamente a tampa protetora e armazene o cartucho de gás num local fresco, seco, bem ventilado e fora do alcance das crianças.
4. Verifique a válvula de vedação do cartucho. Se o material do vedante estiver quebradiço ou poroso, o vedante deve ser substituído por uma pessoa qualificada.
2. Deixe que o aquecedor arrefeça completamente.
3. Remova o cartucho de gás do aquecedor (ver capítulo “Remover o cartucho de gás” na página 36).
4. Limpe o aquecedor (ver capítulo “Limpeza e manutenção” na página 37).
5. Armazene o aquecedor num local plano, estável, seco e fora do alcance das crianças.

Deslocar e armazenar o aquecedor



AVISO! Risco para a saúde

Não transporte nem armazene o aquecedor com o cartucho de gás instalado.

Proceda da seguinte forma:

1. Desligue o aquecedor.

Limpeza e manutenção

Limpe o aquecedor após cada utilização:

1. Assegure-se de que o produto está frio.
2. Remova o cartucho de gás do produto.
3. Limpe as superfícies do produto com água quente com sabão.
4. Controle periodicamente o queimador para verificar se está livre de detritos como insetos. Utilize uma escova para o limpar.

Resolução de falhas

Falha	Causa	Solução
Não é possível instalar o cartucho	O botão de controlo não está completamente rodado na posição OFF	Rode o botão de controlo completamente para a posição OFF e reinicie o cartucho.
	Instalação incorreta do cartucho	Certifique-se de que a patilha no regulador está encaixada na reentrância do anel do cartucho.
Sem abastecimento de gás na posição MAX	O cartucho de gás está vazio	Substitua o cartucho de gás.
	Instalação incorreta do cartucho	Certifique-se de que a patilha no regulador está encaixada na reentrância do anel do cartucho.
	Dispositivo de segurança ativado	Deixe que o cartucho arrefeça.
	Avaria do botão de controlo	Contacte um técnico autorizado para proceder à reparação.
	Bocal obstruído	Contacte um técnico autorizado para proceder à reparação.

Falha	Causa	Solução
Cheiro a gás na posição OFF	Instalação incorreta do cartucho	Certifique-se de que a patilha no regulador está encaixada na reentrância do anel do cartucho.
	Avaria do botão de controlo	Contacte um técnico autorizado para proceder à reparação.
Chama fraca	O cartucho de gás está vazio	Substitua o cartucho de gás.
	Orifícios do queimador obstruídos	Utilize uma escova de metal para limpar os orifícios do queimador.
	Avaria do botão de controlo	Contacte um técnico autorizado para proceder à reparação.
	Bocal obstruído	Contacte um técnico autorizado para proceder à reparação.
Chama irregular	O cartucho de gás está vazio	Substitua o cartucho de gás.
	Orifícios do queimador obstruídos	Utilize uma escova de metal para limpar os orifícios do queimador.
Sem ignição/ignição com falhas	O cartucho de gás está vazio	Substitua o cartucho de gás.
	Instalação incorreta do cartucho	Certifique-se de que a patilha no regulador está encaixada na reentrância do anel do cartucho.
	Dispositivo de segurança ativado	Deixe que o cartucho arrefeça.
	Orifícios do queimador obstruídos	Utilize uma escova de metal para limpar os orifícios do queimador.
	Eléctrodo dobrado ou enferrujado	Limpe o eléctrodo.
	Avaria do botão de controlo	Contacte um técnico autorizado para proceder à reparação.
	Bocal obstruído	Contacte um técnico autorizado para proceder à reparação.
Chama apaga durante o funcionamento	O cartucho de gás está vazio	Substitua o cartucho de gás.
	Dispositivo de segurança ativado	Deixe que o cartucho arrefeça.

Garantia

Aplica-se o prazo de garantia legal. Se o produto apresentar defeitos, contacte a filial do fabricante no seu país (ver kampaoutdoors.com/store-locator) ou o seu revendedor.

Para fins de reparação ou de garantia, terá de enviar também os seguintes documentos:

- Uma cópia da fatura com a data de aquisição

- Um motivo de reclamação ou uma descrição da falha


Eliminação

- Sempre que possível, coloque o material de embalagem no respectivo contentor de reciclagem.



Para colocar o aparelho definitivamente fora de funcionamento, por favor, informe-se junto do centro de reciclagem mais próximo ou revendedor sobre as disposições de eliminação aplicáveis.

Dados técnicos

	Hottie
Categoria de gás:	Butano
Tipo de cartucho de gás:	P220
Categoria de produto:	I _{3B} , pressão direta
Ignição:	Piezo
Entrada de calor do queimador:	2,0 kW
Consumo de gás:	145 g/h
Tamanho do injetor:	0,50 mm
Dimensões (A x L x P):	270 x 310 x 160 mm
Peso:	1,78 kg
Certificação:	

Si prega di leggere attentamente e di seguire tutte le istruzioni, le linee guida e le avvertenze incluse in questo manuale del prodotto, al fine di garantire che il prodotto venga sempre installato, utilizzato e mantenuto nel modo corretto. Queste istruzioni DEVONO essere conservate insieme al prodotto.

Utilizzando il prodotto, l'utente conferma di aver letto attentamente tutte le istruzioni, le linee guida e le avvertenze e di aver compreso e accettato di rispettare i termini e le condizioni qui espressamente indicati. L'utente accetta di utilizzare questo prodotto solo per lo scopo e l'applicazione previsti e in conformità con le istruzioni, le linee guida e le avvertenze indicate nel presente manuale del prodotto, nonché in conformità con tutte le leggi e i regolamenti applicabili. La mancata lettura e osservanza delle istruzioni e delle avvertenze qui espressamente indicate può causare lesioni personali e a terzi, danni al prodotto o ad altre proprietà nelle vicinanze. Il presente manuale del prodotto, comprese le istruzioni, le linee guida e le avvertenze e la relativa documentazione possono essere soggetti a modifiche e aggiornamenti. Per informazioni aggiornate sul prodotto, si prega di visitare il sito [-kampaoutdoors.com](http://kampaoutdoors.com).

Spiegazione dei simboli



PERICOLO!

Istruzione per la sicurezza: indica una situazione di pericolo che, se non evitata, provoca lesioni gravi o mortali.



AVVERTENZA!

Istruzione per la sicurezza: indica una situazione di pericolo che, se non evitata, potrebbe provocare lesioni gravi o mortali.



ATTENZIONE!

Istruzione per la sicurezza: indica una situazione di pericolo che, se non evitata, potrebbe provocare lesioni di entità lieve o moderata.

Istruzioni per la sicurezza

Sicurezza generale



AVVERTENZA! La mancata osservanza di queste avvertenze potrebbe causare la morte o lesioni gravi.

Pericolo di esplosione

- Questa stufetta può essere riparata solo da personale qualificato. Le riparazioni effettuate in modo scorretto possono causare gravi pericoli.
- Non modificare questa stufetta.
- Non rimuovere o sostituire alcun componente di questa stufetta.

- Questa stufetta deve essere utilizzata solo con una cartuccia di gas butano Kampa (n. art. 9120000991) o altre cartucce P220 conformi alla norma EN 417. Può essere pericoloso tentare di montare altri tipi di bombole del gas.



ATTENZIONE! La mancata osservanza di queste precauzioni potrebbe causare lesioni lievi o moderate.

Pericolo di incendio

- Solo gli adulti possono utilizzare questa stufetta.
- Non lasciare questa stufetta incustodita quando è calda o in uso.
- Tenere a portata di mano un estintore o un altro mezzo adatto a spegnere una fiamma.

Pericolo di ustioni

- Tenere mani, viso e capelli lontani dai bruciatori.
- Non indossare abiti larghi o lasciare che i capelli lunghi pendano liberamente mentre si accende o si usa questa stufetta.
- Tenere i bambini e gli animali domestici a distanza di sicurezza.
- Monitorare attentamente tutte le attività intorno a questa stufetta per evitare ustioni o altre lesioni.

Sicurezza durante il funzionamento della stufetta



PERICOLO! La mancata osservanza di queste istruzioni causerà lesioni gravi o mortali.

Pericolo di avvelenamento da monossido di carbonio

- Non usare mai questa stufetta al chiuso. Il processo di combustione del gas liquido produce monossido di carbonio che si accumula negli ambienti chiusi.

Pericolo di asfissia

- L'utilizzo di questa stufetta in un ambiente non aerato riduce la quantità di ossigeno.
- Non utilizzare questa stufetta in ambienti non aerati come stanze chiuse, tende da campeggio, verande, veicoli a motore, camper, caravan o all'interno di navi, yacht, barche e cabine di autocarri.
- Usare solo all'aperto.



AVVERTENZA! La mancata osservanza di queste avvertenze potrebbe causare la morte o lesioni gravi.

Pericolo di esplosione

- Questa stufetta deve essere utilizzata solo all'aria aperta, fuori terra e in presenza di ventilazione naturale, senza zone di ristagno, dove le perdite di gas e i prodotti della combustione vengono rapidamente dispersi dal vento e dalla convezione naturale.
- Non utilizzare questa stufetta se presenta perdite, danni o se non funziona correttamente.
- Non collocare prodotti chimici, materiali infiammabili o bombolette spray vicino a questa stufetta.
- Non usare mai fiamme libere per controllare la presenza di perdite di gas.
- In caso di odore di gas:
 - Non tentare di accendere questa stufetta.
 - Estinguere qualsiasi fiamma libera.
 - Scollegare dall'alimentazione del gas.
 - Far verificare l'impianto a gas da un esperto autorizzato.
- Collegare o staccare la cartuccia del gas solo all'aperto, lontano da fiamme libere, fiamme pilota o altre fonti di accensione e solo quando la stufetta è fredda al tatto.
- Controllare che la guarnizione tra la stufetta e la cartuccia del gas sia in posizione e in buone condizioni prima di collegare la cartuccia del gas.
- Non utilizzare questa stufetta se la guarnizione è danneggiata o usurata.
- Non usare la stufetta alla luce diretta del sole.



ATTENZIONE! La mancata osservanza di queste precauzioni potrebbe causare lesioni lievi o moderate.

Pericolo di incendio

- Mantenere una distanza minima di almeno 20 cm dal lato e dal retro della stufetta a qualsiasi costruzione o oggetto.
- Mantenere una distanza minima di almeno 100 cm dalla parte anteriore della stufetta.
- Tenere l'area circostante libera da tutti i materiali combustibili e liquidi infiammabili, compresi legno, piante ed erba secca, spazzole, carta e tela.
- Usare questa stufetta solo su una superficie piana, stabile e non combustibile come mattoni, cemento o terra.

- Non usare questa stufetta su qualsiasi superficie che possa bruciare o fondere come legno, asfalto, vinile o plastica.
- Tenere lontani gli oggetti infiammabili dal bruciatore. Non usare la stufetta per asciugare panni o altri oggetti infiammabili.
- Non coprire o ostruire la stufetta con qualsiasi articolo o oggetto.
- Non usare la stufetta come un fornello o rovesciarla appoggiandola sulla schiena.
- Non mettere cibo sulla griglia.
- In caso di incendio interrompere l'alimentazione del gas.

Pericolo di ustioni

- Non spostare la stufetta durante l'uso.
- Utilizzare guanti di protezione quando si maneggiano componenti caldi.
- Lasciare raffreddare bene la stufetta prima di toccarla a mani nude.
- Le parti accessibili possono essere molto calde. Tenere lontano i bambini.
- L'uso di alcol o di farmaci con o senza prescrizione medica può compromettere la capacità di montare correttamente o utilizzare questa stufetta in modo sicuro.

Pericolo per la salute

- Azionare questa stufetta solo in presenza di un adulto.

Precauzioni di sicurezza per la manipolazione del gas liquido



AVVERTENZA! La mancata osservanza di queste avvertenze potrebbe causare la morte o lesioni gravi.

- Dopo l'uso scollegare sempre la cartuccia di gas liquido.
- **Mai** incenerire o forare una cartuccia di gas, neanche se vuota.
- **Mai** inserire o rimuovere la cartuccia del gas in ambienti chiusi, in zone poco ventilate, vicino ad altre persone, vicino a fonti di calore o quando l'apparecchio è ancora caldo.
- **Mai** conservare le cartucce di gas in luoghi non aerati o al di sotto del livello del terreno (avvallamenti del terreno a forma di imbuto).
- **Mai** conservare le cartucce di gas in edifici come i garage.

- Conservare le cartucce di gas lontano da apparecchi di riscaldamento o di cottura e da altre fonti di calore, in un'area ben ventilata e fuori dalla portata dei bambini.
- Non conservare le cartucce di gas su un lato.
- Tenere le cartucce di gas lontano dalla luce diretta del sole. La temperatura non deve superare i 50 °C.
- Smaltire le cartucce di gas secondo le norme delle autorità locali.

Conformità d'uso

La stufetta portatile a gas Hottie è adatta per:

- attività all'aperto

La stufetta portatile a gas Hottie **non** è adatta per:

- uso interno
- spazi chiusi.

Questo prodotto è adatto solo per l'uso e l'applicazione previsti in conformità con le presenti istruzioni.

Il presente manuale fornisce le informazioni necessarie per la corretta installazione e/o il funzionamento del prodotto. Un'installazione errata e/o un utilizzo o una manutenzione impropri comporteranno prestazioni insoddisfacenti e un possibile guasto.

Il produttore non si assume alcuna responsabilità per eventuali lesioni o danni al prodotto che derivino da:

- montaggio o collegamento non corretti, compresa la sovratensione
- manutenzione non corretta o uso di ricambi diversi da quelli originali forniti dal produttore
- modifiche al prodotto senza esplicita autorizzazione del produttore
- impiego per scopi diversi da quelli descritti nel presente manuale.

Kampa si riserva il diritto di modificare l'aspetto e le specifiche del prodotto.

Descrizione delle caratteristiche tecniche

Questa stufetta a gas portatile ha un bruciatore.

Questa stufetta a gas è progettata per essere collegata a una cartuccia di gas butano Kampa (n. art. 9120000991, non fornita) o ad altre cartucce P220 conformi alla norma EN 417.

Dispositivo di sicurezza

Questa stufetta a gas è dotata di un dispositivo di sicurezza che interrompe il flusso di gas se la pressione nella cartuccia diventa troppo elevata (per esempio a causa di un surriscaldamento).

Se ciò accade:

1. Rimuovere la fonte dell'eccesso di calore.
2. Lasciar raffreddare la cartuccia di gas.
3. Resettare la stufetta.

Parti e controlli

Pos. in fig. 1 , pagina 3	Denominazione
1	Protezione antincendio
2	Piastra ceramica
3	Pannello
4	Manico
5	Leva della cartuccia di gas
6	Manopola di controllo
7	Incavo di presa
8	Coperchio della cartuccia
9	Piedini

Uso di questa stufetta



ATTENZIONE! Pericolo di ustioni

- Tenere mani, viso e capelli lontani dai bruciatori.
- Non indossare abiti larghi o lasciare che i capelli lunghi pendano liberamente mentre si accende o si usa questa stufetta.
- Tenere i bambini e gli animali domestici a distanza di sicurezza.
- Monitorare attentamente tutte le attività intorno a questa stufetta per evitare ustioni o altre lesioni.
- Non spostare la stufetta durante l'uso.
- Non toccare le parti calde della stufetta durante e dopo l'uso.
- Lasciare raffreddare bene la stufetta prima di riparla.
- Dopo l'uso scollegare sempre la cartuccia di gas liquido.

Posizionamento della stufetta

Per scegliere il luogo di installazione di questa stufetta, osservare le seguenti istruzioni:

- Posizionare la stufetta all'aperto.
- Il luogo deve essere ben ventilato. Non posizionarlo in un avvallamento per evitare che vi si accumulino gas.
- Tenere la stufetta al riparo dal vento e dalle correnti d'aria dirette.
- Rimuovere tutto il materiale combustibile nell'area circostante.
- Scegliere una superficie piana, stabile e non combustibile per posizionare la stufetta.
- Non collocare mai la stufetta in prossimità o sopra materiali infiammabili, neanche quando si sta raffreddando. Mantenere una distanza di almeno 100 cm dai materiali infiammabili.
- Il prodotto deve poggiare su una base che possa sopportare un calore fino ad almeno 80 °C. L'alloggiamento può diventare molto caldo durante l'uso.
- Osservare le istruzioni per la sicurezza, vedi capitolo "Precauzioni di sicurezza per la manipolazione del gas liquido" a pagina 41.

Inserimento della cartuccia di gas



AVVERTENZA! Pericolo di esplosione

Controllare che la valvola di tenuta della cartuccia sia in posizione e in buone condizioni prima di inserire la cartuccia di gas.

1. Procedere come illustrato (fig. 2, pagina 3).
2. Non applicare una forza eccessiva. Se la leva di blocco della cartuccia non si spinge verso il basso, controllare la posizione della tacca.
3. Se si sente un sibilo, la cartuccia di gas non è stata montata correttamente. Rilasciare la leva di blocco della cartuccia e riposizionare la cartuccia.

Accensione e controllo della stufetta



AVVERTENZA! Pericolo per la salute

Non lasciare il prodotto incustodito quando è in funzione.

1. Procedere come illustrato (fig. 3, pagina 4).
2. Se il bruciatore non si accende, ripetere il processo di accensione.

Rimozione della cartuccia di gas



AVVERTENZA! Pericolo per la salute

- Non trasportare o conservare la stufetta con la cartuccia del gas inserita.
- Rimuovere la cartuccia di gas in un luogo ben ventilato.
- Assicurarsi che nelle vicinanze non siano presenti fiamme libere.
- Rimuovere la cartuccia di gas solo quando la stufetta è spenta e si è raffreddata.

La cartuccia può essere scollegata anche se rimane del gas.

1. Procedere come illustrato (fig. 4, pagina 5).
2. Per controllare il contenuto di una cartuccia agitarla e ascoltare se si sente il gas liquido.
3. Rimettere il cappuccio di protezione e conservare la cartuccia di gas in un luogo fresco, asciutto, ben ventilato e fuori dalla portata dei bambini.

- Controllare la valvola di tenuta della cartuccia. Far sostituire la guarnizione da una persona qualificata se il materiale è fragile o poroso.

Spostamento e conservazione della stufetta



AVVERTENZA! Pericolo per la salute

Non trasportare o conservare la stufetta con la cartuccia del gas inserita.

Procedere come segue:

- Spegnere la stufetta.
- Lasciare raffreddare completamente la stufetta.
- Rimuovere la cartuccia del gas dalla stufetta (vedi capitolo "Rimozione della cartuccia di gas" a pagina 43).

Risoluzione dei problemi

Guasto	Causa	Soluzione
La cartuccia non può essere installata	Manopola non completamente girata in posizione OFF	Girare completamente la manopola in posizione OFF e reinserire la cartuccia.
	Installazione errata della cartuccia	Assicurarsi che la linguetta del regolatore sia inserita nella tacca del collare della cartuccia.
Nessuna erogazione di gas in posizione MAX	Non c'è più gas nella cartuccia	Sostituire la cartuccia di gas.
	Installazione errata della cartuccia	Assicurarsi che la linguetta del regolatore sia inserita nella tacca del collare della cartuccia.
	Dispositivo di sicurezza attivato	Lasciar raffreddare la cartuccia.
	Malfunzionamento della manopola	Contattare un tecnico autorizzato per la riparazione.
	Ugello intasato	Contattare un tecnico autorizzato per la riparazione.
Odore di gas in posizione OFF	Installazione errata della cartuccia	Assicurarsi che la linguetta del regolatore sia inserita nella tacca del collare della cartuccia.
	Malfunzionamento della manopola	Contattare un tecnico autorizzato per la riparazione.

- Pulire la stufetta (vedi capitolo "Pulizia e manutenzione" a pagina 44).
- Conservare la stufetta in un luogo piano e stabile, fuori dalla portata dei bambini.

Pulizia e manutenzione

Pulire la stufetta dopo ogni utilizzo:

- Assicurarsi che il prodotto sia freddo.
- Rimuovere la cartuccia del gas dal prodotto.
- Lavare le superfici del prodotto con acqua calda e sapone.
- Controllare periodicamente che il bruciatore sia privo di sporco come insetti. Usare una spazzola per pulirlo.

Guasto	Causa	Soluzione
Fiamma piccola	Non c'è più gas nella cartuccia	Sostituire la cartuccia di gas.
	Fori del bruciatore intasati	Usare una spazzola di metallo per pulire i fori del bruciatore.
	Malfunzionamento della manopola	Contattare un tecnico autorizzato per la riparazione.
	Ugello intasato	Contattare un tecnico autorizzato per la riparazione.
Fiamma irregolare	Non c'è più gas nella cartuccia	Sostituire la cartuccia di gas.
	Fori del bruciatore intasati	Usare una spazzola di metallo per pulire i fori del bruciatore.
Nessuna accensione/accensione difettosa	Non c'è più gas nella cartuccia	Sostituire la cartuccia di gas.
	Installazione errata della cartuccia	Assicurarsi che la linguetta del regolatore sia inserita nella tacca del collare della cartuccia.
	Dispositivo di sicurezza attivato	Lasciar raffreddare la cartuccia.
	Fori del bruciatore intasati	Usare una spazzola di metallo per pulire i fori del bruciatore.
	Elettrodo piegato o arrugginito	Pulire l'elettrodo.
	Malfunzionamento della manopola	Contattare un tecnico autorizzato per la riparazione.
Estinzione durante il funzionamento	Non c'è più gas nella cartuccia	Sostituire la cartuccia di gas.
	Dispositivo di sicurezza attivato	Lasciar raffreddare la cartuccia.

Garanzia

Vale il termine di garanzia previsto dalla legge. Se il prodotto è difettoso, contattare la filiale del produttore nel proprio Paese (vedi kampaoutdoors.com/store-locator) o il rivenditore di riferimento.

Per la gestione della riparazione e della garanzia è necessario inviare la seguente documentazione insieme al dispositivo:

- una copia della ricevuta con la data di acquisto,
- il motivo della richiesta o la descrizione del guasto.


Smaltimento

► Raccogliere il materiale di imballaggio possibilmente negli appositi contenitori di riciclaggio.



Quando il prodotto viene messo fuori servizio definitivamente, informarsi al centro di riciclaggio più vicino, oppure presso il proprio rivenditore specializzato, sulle prescrizioni adeguate concernenti lo smaltimento.

Specifiche tecniche

	Hottie
Categoria del gas:	butano
Tipo di cartuccia di gas:	P220
Categoria di prodotto:	I _{3B} , pressione diretta
Accensione:	Piezo
Portata termica del bruciatore:	2,0 kW
Consumo di gas:	145 g/h
Dimensioni dell'iniettore:	0,50 mm
Dimensioni (A x L x P):	270 x 310 x 160 mm
Peso:	1,78 kg
Certificazione:	

Lees deze gebruiksaanwijzing zorgvuldig door en volg alle instructies, richtlijnen en waarschuwingen in deze handleiding op om ervoor te zorgen dat u het product te allen tijde op de juiste manier installeert, gebruikt en onderhoudt. Deze gebruiksaanwijzing MOET bij dit product bewaard worden.

Door het product te gebruiken, bevestigt u hierbij dat u alle instructies, richtlijnen en waarschuwingen zorgvuldig hebt gelezen en dat u de voorwaarden zoals hierin beschreven begrijpt en accepteert. U gaat ermee akkoord dit product alleen te gebruiken voor het beoogde doel en de beoogde toepassing en in overeenstemming met de instructies, richtlijnen en waarschuwingen zoals beschreven in deze gebruiksaanwijzing en in overeenstemming met de geldende wet- en regelgeving. Het niet lezen en opvolgen van de hierin beschreven instructies en waarschuwingen kan leiden tot letsel voor uzelf en anderen, schade aan uw product of schade aan andere eigendommen in de omgeving. Deze gebruiksaanwijzing, met inbegrip van de instructies, richtlijnen en waarschuwingen, en de bijbehorende documentatie kan onderhevig zijn aan wijzigingen en updates. Actuele productinformatie vindt u op kampaoutdoors.com.

Verklaring van de symbolen



GEVAAR!

Veiligheidsaanwijzing: duidt op een gevaarlijke situatie die, indien deze niet wordt voorkomen, leidt tot ernstig letsel of de dood.



WAARSCHUWING!

Veiligheidsaanwijzing: duidt op een gevaarlijke situatie die, indien deze niet wordt voorkomen, kan leiden tot ernstig letsel of de dood.



VOORZICHTIG!

Veiligheidsaanwijzing: duidt op een gevaarlijke situatie die, indien deze niet wordt voorkomen, kan leiden tot licht of matig letsel.

Veiligheidsaanwijzingen

Algemene veiligheid



WAARSCHUWING! Het niet in acht nemen van deze waarschuwingen kan leiden tot ernstig letsel of de dood.

Explosiegevaar

- Reparaties aan deze verwarming mogen uitsluitend worden uitgevoerd door gekwalificeerde personen. Door ondeskundige reparaties kunnen grote gevaren ontstaan.
- Breng geen wijzigingen aan deze verwarming aan.

- Verwijder of vervang geen onderdelen van deze verwarming.
- Deze verwarming mag uitsluitend worden gebruikt met een Kampa-butaangaspatroon (artikelnr. 9120000991) of andere P220-patronen die voldoen aan EN 417. Het kan gevaarlijk zijn om andere soorten gaspatronen te gebruiken.



VOORZICHTIG! Het niet in acht nemen van deze waarschuwingen kan leiden tot licht of matig letsel.

Brandgevaar

- Uitsluitend volwassenen mogen deze verwarming gebruiken.
- Laat deze verwarming tijdens gebruik of als deze heet is niet onbeheerd achter.
- Houd een brandblusser of een ander middel om een vlam te doven gereed.

Gevaar voor verbranding

- Houd handen, gezicht en haar uit de buurt van branders.
- Draag geen loszittende kleding en laat lang haar niet los hangen terwijl u deze verwarming aansteekt of gebruikt.
- Houd kinderen en huisdieren op een veilige afstand.
- Houd alle activiteiten rond deze verwarming nauwlettend in de gaten om brandwonden of ander letsel te voorkomen.

Deze verwarming veilig gebruiken



GEVAAR! Niet-inachtneming van deze instructies leidt tot ernstig letsel of de dood.

Gevaar voor koolmonoxidevergiftiging

- Gebruik deze verwarming nooit binnen. Bij het verbranden van vloeibaar gas komt koolmonoxide vrij, dat zich in afgesloten ruimtes ophoopt.

Gevaar voor verstikking

- Gebruik van deze verwarming in een niet-geventileerde ruimte leidt tot zuurstoftekort in deze ruimte.
- Gebruik deze verwarming niet in niet-geventileerde omgevingen, zoals gesloten ruimtes, voortenten, motorvoertuigen, campers, caravans of binnenvaartschepen, jachten, boten en vrachtwagencabines.
- Alleen buiten gebruiken.



WAARSCHUWING! Het niet in acht nemen van deze waarschuwingen kan leiden tot ernstig letsel of de dood.

Explosiegevaar

- Deze verwarming mag alleen bovengronds in de openlucht worden gebruikt, op een plek met natuurlijke ventilatie, zonder stilstaande lucht, waar lekkend gas en verbrandingsproducten snel worden verdreven door wind en natuurlijke convectie.
- Gebruik deze verwarming niet als deze lekkages bevat, beschadigd is of niet correct werkt.
- Plaats geen chemicaliën, ontvlambare materialen of spuitbussen in de buurt van deze verwarming.
- Controleer het product nooit met open vuur op gaslekken.
- Indien u gas ruikt:
 - Probeer deze verwarming niet aan te steken.
 - Doof eventuele vlammen.
 - Ontkoppel het product van de gastoevoer.
 - Laat de gasinstallatie door een vakbedrijf controleren.
- Bevestig en verwijder de gaspatroon uitsluitend buiten, uit de buurt van een vlam, controlelamp of andere ontstekingsbron en alleen als deze verwarming koel is.
- Controleer of de afdichting tussen deze verwarming en de gaspatroon op zijn plek zit en in goede staat is, alvorens de gaspatroon te gebruiken.
- Gebruik deze verwarming niet als de afdichting beschadigd of versleten is.
- Gebruik deze verwarming niet in direct zonlicht.



VOORZICHTIG! Het niet in acht nemen van deze waarschuwingen kan leiden tot licht of matig letsel.

Brandgevaar

- Zorg voor een minimale afstand van minstens 20 cm tussen de zijkant en achterkant van de verwarming en constructies of voorwerpen.
- Houd een minimale afstand van minstens 100 cm tot de voorkant van de verwarming.
- Houd de omgeving vrij van brandbaar materiaal en ontvlambare vloeistoffen, inclusief hout, droge planten en gras, borstels, papier en stoffen.

- Gebruik deze verwarming alleen op een vlakke, stabiele niet-brandbare ondergrond, zoals bakstenen, beton of aarde.
- Gebruik deze verwarming niet op ondergronden die kunnen branden of smelten, zoals hout, asfalt, vinyl of kunststof.
- Houd ontvlambare voorwerpen uit de buurt van de brander. Gebruik de verwarming niet voor het drogen van kleding of andere brandbare voorwerpen.
- Bedek of blokkeer de verwarming niet met een voorwerp.
- Gebruik de verwarming niet om te koken en kandel de verwarming niet op de achterkant.
- Plaats geen eten op het rooster.
- Onderbreek de gastoevoer in geval van brand.

Gevaar voor verbranding

- Verplaats deze verwarming niet tijdens gebruik.
- Gebruik beschermende handschoenen bij de omgang met hete onderdelen.
- Laat deze verwarming goed afkoelen alvorens met blote handen aan te raken.
- Toegankelijke onderdelen kunnen erg heet zijn. Houd jonge kinderen op afstand.
- Het gebruik van alcohol, geneesmiddelen of drugs kan uw bekwaamheid om deze verwarming op de juiste manier te monteren of veilig te bedienen, beïnvloeden.

Gevaar voor de gezondheid

- Gebruik deze verwarming alleen als een volwassene erop kan letten.

Veiligheidsmaatregelen bij het gebruik van vloeibaar gas



WAARSCHUWING! Het niet in acht nemen van deze waarschuwingen kan leiden tot ernstig letsel of de dood.

- Ontkoppel de patroon met vloeibaar gas na gebruik altijd van het toestel.
- Verbrand of doorboor **nooit** een gaspatroon, zelfs niet als deze leeg is.
- Bevestig en verwijder de gaspatroon **nooit** binnenshuis, in slecht geventileerde ruimtes, in de buurt van andere mensen, in de buurt van hittebronnen of als het toestel nog warm is.
- Bewaar gaspatronen **nooit** op niet-geventileerde plaatsen of onder grondniveau (trechtervormige kuilen in de grond).

- Bewaar gaspatronen **nooit** in gebouwen zoals garages.
- Bewaar gaspatronen uit de buurt van verwarmings- of kooktoestellen en andere hittebronnen, in een goed geventileerde ruimte en buiten bereik van kinderen.
- Bewaar gaspatronen niet op hun zij.
- Bescherm gaspatronen tegen directe zonnestralen. De temperatuur mag niet hoger zijn dan 50 °C.
- Gooi gaspatronen weg in overeenstemming met de lokale regelgeving.

Beoogd gebruik

De draagbare gasverwarming Hottie is geschikt voor:

- buitenactiviteiten

De draagbare gasverwarming Hottie is **niet** geschikt voor:

- gebruik binnenshuis
- besloten ruimten

Dit product is alleen geschikt voor het beoogde gebruik en de toepassing in overeenstemming met deze gebruiksaanwijzing.

Deze handleiding geeft informatie die nodig is voor een correcte installatie en/of correct gebruik van het product. Een slechte installatie en/of onjuist gebruik of onderhoud leidt tot onbevredigende prestaties en mogelijke storingen.

De fabrikant aanvaardt geen aansprakelijkheid voor letsel of schade aan het product die het gevolg is van:

- Onjuiste montage of aansluiting, inclusief te hoge spanning
- Onjuist onderhoud of gebruik van andere dan door de fabrikant geleverde originele reserveonderdelen
- Wijzigingen aan het product zonder uitdrukkelijke toestemming van de fabrikant
- Gebruik voor andere doeleinden dan beschreven in deze handleiding

Kampa behoudt zich het recht voor om het uiterlijk en de specificaties van het product te wijzigen.

Technische beschrijving

Deze draagbare gasverwarming heeft één brander.

Deze gasverwarming is ontworpen voor aansluiting van een Kampa-butaangaspatroon (artikelnr. 9120000991, niet bij levering inbegrepen) of andere P220-patronen die voldoen aan EN 417.

Veiligheidsvoorziening

Deze verwarming is uitgerust met een veiligheidsvoorziening die de gasstroom onderbreekt als de druk in de patroon te hoog wordt (bijvoorbeeld door oververhitting).

Als dit gebeurt:

1. Verwijder van de bron van de oververhitting.
2. Laat de gaspatroon afkoelen.
3. Reset de verwarming.

Onderdelen en bedieningselementen

Nr. in afb. 1 , pagina 3	Aanduiding
1	Veiligheidsrooster
2	Keramische plaat
3	Paneel
4	Handvat
5	Gaspatroonhendel
6	Bedienknop
7	Greepuitsparing
8	Patroonklep
9	Poten

Verwarming gebruiken



VOORZICHTIG! Gevaar voor verbranding

- Houd handen, gezicht en haar uit de buurt van branders.
- Draag geen loszittende kleding en laat lang haar niet los hangen terwijl u deze verwarming aansteekt of gebruikt.
- Houd kinderen en huisdieren op een veilige afstand.
- Houd alle activiteiten rond deze verwarming nauwlettend in de gaten om brandwonden of ander letsel te voorkomen.
- Verplaats de verwarming niet tijdens gebruik.
- Raak de hete onderdelen van de verwarming tijdens en na gebruik niet aan.
- Laat de verwarming goed afkoelen alvorens op te bergen.
- Ontkoppel de patroon met vloeibaar gas na gebruik altijd van het toestel.

Verwarming plaatsen

Neem bij de keuze van de opstelplaats van deze verwarming de volgende aanwijzingen in acht:

- Plaats de verwarming buiten.
- De plaats moet goed geventileerd zijn. Plaats het niet in een kuil om te voorkomen dat zich daar gassen verzamelen.
- Bescherm de verwarming tegen wind en tocht.
- Verwijder alle brandbare materialen uit de omgeving.
- Kies een vlakke, stabiele en niet-brandbare ondergrond om de verwarming te plaatsen.
- Plaats de verwarming nooit in de buurt van of op ontvlambare materialen, zelfs niet als deze afgekoeld is. Houd een afstand van ten minste 100 cm tot ontvlambare materialen.
- Het product moet op een ondergrond staan die bestand is tegen temperaturen van minstens 80 °C. De behuizing kan tijdens gebruik erg heet worden.

- Neem de veiligheidsaanwijzingen in acht, zie hoofdstuk „Veiligheidsmaatregelen bij het gebruik van vloeibaar gas“ op pagina 48.

De gaspatroon inbrengen



WAARSCHUWING! Explosiegevaar

Controleer of de patroonafdichtklep op zijn plek zit en in goede staat is, alvorens de gaspatroon te plaatsen.

1. Ga als volgt te werk (afb. **2**, pagina 3).
2. Gebruik geen overmatige kracht. Als de patroonvergrendelingshendel niet omlaag kan worden gedrukt, controleer dan de positie van de uitsparing.
3. Als u een sissend geluid hoort, is de gaspatroon niet correct aangebracht. Maak de patroonvergrendelingshendel los en corrigeer de positie van de patroon.

Verwarming aansteken en regelen



WAARSCHUWING! Gevaar voor de gezondheid

Laat het product tijdens gebruik niet onbeheerd achter.

1. Ga als volgt te werk (afb. **3**, pagina 4).
2. Als de brander niet aan gaat, herhaal dan de aansteekprocedure.

De gaspatroon verwijderen



WAARSCHUWING! Gevaar voor de gezondheid

- Transporteer de verwarming niet met ingebrachte gaspatroon en berg zo niet op.
- Verwijder de gaspatroon op een goed geventileerde plek.
- Zorg ervoor dat er geen open vlammen of vuur in de buurt zijn.
- Verwijder de gaspatroon uitsluitend als de verwarming is uitgeschakeld en afgekoeld.

De gaspatroon mag ook worden losgekoppeld als deze nog wat gas bevat.

1. Ga als volgt te werk (afb. **4**, pagina 5).

2. Controleer de inhoud van de gaspatroon door te schudden en te luisteren of u het vloeibare gas hoort.
3. Breng de beschermkap weer aan en bewaar de gaspatroon op een koele, droge, goed geventileerde plek buiten bereik van kinderen.
4. Controleer de afsluitklep van de patroon. Laat de afdichting vervangen door een gekwalificeerde persoon als het materiaal broos of poreus is.
2. Laat de verwarming volledig afkoelen.
3. Verwijder de gaspatroon uit de verwarming (zie hoofdstuk „De gaspatroon verwijderen” op pagina 50).
4. Reinig de verwarming (zie hoofdstuk „Reiniging en onderhoud” op pagina 51).
5. Berg de verwarming op een vlakke, stabiele plek op buiten bereik van kinderen.

Verwarming vervoeren en opbergen



WAARSCHUWING! Gevaar voor de gezondheid

Transporteer de verwarming niet met ingebrachte gaspatroon en berg zo niet op.

Ga als volgt te werk:

1. Schakel de verwarming uit.

Reiniging en onderhoud

Reinig de verwarming na elk gebruik:

1. Zorg ervoor dat het product koud is.
2. Verwijder de gaspatroon uit het product.
3. Was de oppervlakken van de verwarming af met warm zeepwater.
4. Controleer de brander regelmatig om te zien of deze vrij is van vuil, zoals insecten of voedselresten. Gebruik een borstel om deze schoon te maken.

Problemen oplossen

Fout	Oorzaak	Oplossing
Patroon kan niet worden geïnstalleerd	Regelknop niet volledig in de OFF-stand gedraaid	Draai de regelknop volledig naar de OFF-stand en plaats de patroon opnieuw.
	Verkeerde patrooninstallatie	Zorg ervoor dat het lipje op de regelaar is uitgelijnd met de inkeping in de kraag van de patroon.
Geen gastoevoer in MAX-stand	Geen gas meer in patroon	Vervang de gaspatroon.
	Verkeerde patrooninstallatie	Zorg ervoor dat het lipje op de regelaar is uitgelijnd met de inkeping in de kraag van de patroon.
	Geactiveerde veiligheidsvoorziening	Laat de patroon afkoelen.
	Regelknop defect	Neem voor de reparatie contact op met een bevoegde technicus.
	Verstopte verstuiver	Neem voor de reparatie contact op met een bevoegde technicus.

Fout	Oorzaak	Oplossing
Gas ruikbaar in OFF-stand	Verkeerde patrooninstallatie	Zorg ervoor dat het lipje op de regelaar is uitgelijnd met de inkeping in de kraag van de patroon.
	Regelknop defect	Neem voor de reparatie contact op met een bevoegde technicus.
Kleine vlam	Geen gas meer in patroon	Vervang de gaspatroon.
	Verstopte brandergaten	Gebruik een metalen borstel om de brandergaten te reinigen.
	Regelknop defect	Neem voor de reparatie contact op met een bevoegde technicus.
	Verstopte verstuiver	Neem voor de reparatie contact op met een bevoegde technicus.
Ongelijkmatige vlam	Geen gas meer in patroon	Vervang de gaspatroon.
	Verstopte brandergaten	Gebruik een metalen borstel om de brandergaten te reinigen.
Geen ontsteking/defecte ontsteking	Geen gas meer in patroon	Vervang de gaspatroon.
	Verkeerde patrooninstallatie	Zorg ervoor dat het lipje op de regelaar is uitgelijnd met de inkeping in de kraag van de patroon.
	Veiligheidsvoorziening geactiveerd	Laat de patroon afkoelen.
	Verstopte brandergaten	Gebruik een metalen borstel om de brandergaten te reinigen.
	Gebogen of roestige elektrode	Reinig de elektrode.
	Regelknop defect	Neem voor de reparatie contact op met een bevoegde technicus.
	Verstopte verstuiver	Neem voor de reparatie contact op met een bevoegde technicus.
Doven tijdens gebruik	Geen gas meer in patroon	Vervang de gaspatroon.
	Veiligheidsvoorziening geactiveerd	Laat de patroon afkoelen.

Garantie

De wettelijke garantieperiode is van toepassing. Als het product defect is, neem dan contact op met de vestiging van de fabrikant in uw land (zie kampaoutdoors.com/store-locator) of met uw dealer.

Stuur voor de afhandeling van reparaties of garantie volgende documenten mee:

- Een kopie van de factuur met datum van aankoop
- De reden voor de claim of een beschrijving van de fout


Afvoer

► Laat het verpakkingsmateriaal indien mogelijk recycelen.



Als u het product definitief buiten bedrijf stelt, informeer dan bij het dichtstbijzijnde recyclingcentrum of uw speciaalzaak naar de betreffende afvoervoorschriften.

Technische gegevens

	Hottie
Gascategorie:	Butaan
Type gaspatroon:	P220
Productcategorie:	I _{3B} , directe druk
Contact:	Piëzo
Verwarmingsvermogen brander:	2,0 kW
Gasverbruik:	145 g/u
Injectorgrootte:	0,50 mm
Afmetingen (h x b x d):	270 x 310 x 160 mm
Gewicht:	1,78 kg
Certificaat:	

Læs og følg alle disse anvisninger, retningslinjer og advarsler i denne produktvejledning grundigt for at sikre, at du altid installerer, bruger og vedligeholder produktet korrekt. Disse anvisninger SKAL opbevares sammen med dette produkt.

Ved at benytte produktet bekræfter du hermed, at du har læst alle anvisninger, retningslinjer og advarsler grundigt, og at du forstår og er indforstået med de vilkår og betingelser, der er fastlagt heri. Du er indforstået med kun at bruge dette produkt til det beregnede formål og anvendelse i overensstemmelse med anvisningerne, retningslinjerne og advarslerne i denne produktvejledning samt i overensstemmelse med alle de gældende love og forskrifter. Manglende læsning og ignorering af disse anvisninger og advarsler kan medføre kvæstelser på dig selv og andre, skade på dit produkt eller skade på anden ejendom i nærheden. Der tages forbehold for eventuelle ændringer og opdateringer af denne produktvejledning samt anvisningerne, retningslinjerne og advarslerne samt den tilhørende dokumentation. For opdaterede produktinformationer, se kampaoutdoors.com.

Forklaring af symboler



FARE!

Sikkerhedshenvisning: Angiver en farlig situation, som medfører dødsfald eller alvorlig kvæstelse, såfremt den ikke undgås.



ADVARSEL!

Sikkerhedshenvisning: Angiver en farlig situation, som kan medføre dødsfald eller alvorlig kvæstelse, såfremt den ikke undgås.



FORSIGTIG!

Sikkerhedshenvisning: Angiver en farlig situation, som kan medføre mindre eller lette kvæstelser, såfremt den ikke undgås.

Sikkerhedshenvisninger

Grundlæggende sikkerhed



ADVARSEL! Manglende overholdelse af disse advarsler kan medføre dødelige eller alvorlige kvæstelser.

Eksplussionsfare

- Reparationer på dette varmeapparat må kun foretages af kvalificeret personale. Ved ukorrekte reparationer kan der opstå alvorlige farer.
- Du må ikke ændre dette varmeapparat.
- Du må ikke fjerne eller omplacere nogen af varmeapparatets komponenter.

- Dette varmeapparat må kun bruges sammen med en Kampa butangaspatron (artikelnummer 9120000991) eller andre P220 patroner, der er i overensstemmelse med EN 417. Det kan indebære fare at forsøge at installere andre typer gaspatroner.



FORSIGTIG! Manglende overholdelse af disse forsigtighedshenvisninger kan medføre mindre eller moderate kvæstelser.

Brandfare

- Kun voksne personer må betjene dette varmeapparat.
- Lad ikke dette varmeapparat være uden opsyn, mens det anvendes.
- Hav en brandslukker eller andre egnede flammeslukningsmidler parat.

Forbrændingsfare

- Hold hænder, ansigt og hår væk fra brænderne.
- Bær ikke løst tøj, og lad ikke håret hænge frit ned, mens du tænder eller bruger dette varmeapparat.
- Hold børn og dyr på sikker afstand.
- Hold grundigt øje med alle aktiviteter omkring varmeapparatet for at undgå forbrændinger eller andre kvæstelser.

Sikkerhed under anvendelse af varmeapparatet



FARE! Hvis disse anvisninger ikke overholdes, vil det medføre dødelige eller alvorlige kvæstelser.

Fare for kulilteforgiftning

- Brug aldrig dette varmeapparat indendørs. Processen, hvor flydende gas brændes, producerer kulilte, som ophobes i lukkede områder.

Fare for kvælning

- Anvendelsen af varmeapparatet med gas i et område, der ikke er ventileret, medfører iltmangel i dette område.
- Anvend ikke dette varmeapparat i områder, der ikke er ventileret, som f.eks. lukkede rum, telte, fortelte, motorkøretøjer, autocampere, campingvogne, i skibe, yachter, både og lastbilførerhuse.
- Anvend kun udendørs.



ADVARSEL! Manglende overholdelse af disse advarsler kan medføre dødelige eller alvorlige kvæstelser.

Eksplodingsfare

- Dette varmeapparat må kun anvendes i en uden-dørs opstilling over jorden med naturlig ventilation og uden stillestående områder, hvor gaslækage og produkter af forbrænding hurtigt spredes af vind og naturlig konvektion.
- Anvend ikke dette varmeapparat, hvis det lækker, er beskadiget eller ikke fungerer korrekt.
- Anbring ikke kemikalier, brændbare materialer eller sprayaerosoler i nærheden af dette varmeapparat.
- Brug aldrig en åben flamme for at kontrollere, om produktet er utæt.
- Hvis der lugter af gas:
 - Lad være med at tænde for dette varmeapparat.
 - Sluk alle åbne flammer.
 - Afbryd gasforsyningen.
 - Lad en fagvirksomhed kontrollere gasanlægget.
- Montér eller afmontér kun gaspatronen uden-dørs væk fra åbne flammer, tændflammer eller andre antændelseskilder, og kun når varmeapparatet er koldt.
- Kontrollér, at pakningen mellem dette varmeapparat og gaspatronen sidder korrekt og er i god tilstand, før gaspatronen anvendes.
- Brug ikke dette varmeapparat, hvis pakningen er beskadiget eller slidt.
- Anvend ikke varmeapparatet i direkte sollys.



FORSIGTIG! Manglende overholdelse af disse forsigtighedshenvisninger kan medføre mindre eller moderate kvæstelser.

Brandfare

- Hold en minimumafstand på mindst 20 cm mellem varmeapparatets side og bagside og alle forhindringer eller genstande.
- Hold en minimumafstand på mindst 100 cm til varmeapparatets forside.
- Hold det omgivende område frit for alle brændbare materialer og væsker, herunder træ, tørre planter og græs, børster, papir og lærreder.
- Anvend kun dette varmeapparat på et plant, stabilt brandsikkert underlag, såsom mursten, beton eller jord

- Anvend ikke dette varmeapparat på underlag, der kan brænde eller smelte, såsom træ, asfalt, vinyl eller plastik
- Hold brændbare genstande væk brænderen. Anvend ikke varmeapparatet til at tørre tøj eller andre brændbare genstande.
- Tildæk og blokér ikke varmeapparatet på nogen måde.
- Anvend ikke varmeapparatet som kogeplade, og vip det ikke over på bagsiden
- Anbring ikke fødevarer på risten.
- Luk gasforsyningen i tilfælde af brand.

Forbrændingsfare

- Flyt ikke dette varmeapparat under brug.
- Anvend beskyttelseshandsker under håndtering af varme komponenter.
- Lad dette varmeapparat køle ordentligt af, før du berører det med bare hænder.
- Tilgængelige dele kan være meget varme. Hold unge børn væk.
- Hvis du er påvirket af alkohol eller receptpligtig medicin eller ikke-receptpligtige stoffer, kan det forringe din evne til at samle eller betjene dette varmeapparat korrekt.

Sundhedsfare

- Betjen kun dette varmeapparat, når en voksen har det under opsyn.

Sikkerhedsforanstaltninger under håndtering af F-gas



ADVARSEL! Manglende overholdelse af disse advarsler kan medføre dødelige eller alvorlige kvæstelser.

- Afbryd altid F-gaspatronen efter brug.
- Patroner på **aldrig** forbrændes eller gennemhulles, selv en gaspatron er tom.
- Du må **aldrig** montere eller afmontere gaspatronen indendørs, i områder med dårlig ventilation, i nærheden af andre personer, i nærheden af varmekilder, eller når apparatet stadig er varmt.
- Opbevar **aldrig** gaspatronerne på steder, der ikke er ventileret eller under gulvniveau (tragtformede fordybninger i jorden).
- Opbevar **aldrig** gaspatronerne i bygninger som f.eks. garager.
- Opbevar gaspatroner væk fra varme- eller madlavningsudstyr og varmekilder i et godt ventileret område uden for børns rækkevidde.
- Opbevar ikke gaspatronerne på siden.

- Hold gaspatronerne væk fra direkte sollys. Temperaturen bør ikke overskride 50 °C.
- Gaspatroner skal bortskaffes i overensstemmelse med lokale forskrifter.

Korrekt brug

Det bærbare gasvarmeapparat Hottie er egnet til:

- Udendørs aktiviteter

Det bærbare gasvarmeapparat Hottie er **ikke** egnet til:

- Indendørs brug
- Lukkede rum

Dette produkt er kun egnet til dets beregnede formål og anvendelse i overensstemmelse med disse anvisninger.

Denne vejledning giver dig oplysninger om, hvad der er nødvendigt med henblik på en korrekt montering og/eller drift af produktet. Dårlig montering og/eller ukorrekt drift eller vedligeholdelse medfører utilstrækkelig ydeevne og mulige fejl.

Producenten påtager sig intet ansvar for kvæstelser eller skader i forbindelse med produktet, der skyldes:

- ukorrekt samling eller forbindelse inklusive for høj spænding
- ukorrekt vedligeholdelse eller brug af uoriginale reservedele, der ikke stammer fra producenten
- ændringer på produktet uden udtrykkelig tilladelse fra producenten
- brug til andre formål end dem, der er beskrevet i vejledningen.

Kampa forbeholder sig ret til at ændre produktets udseende og produktspecifikationer.

Teknisk beskrivelse

Det bærbare varmeapparat har en brænder.

Dette gasvarmeapparat er designet til at blive tilsluttet til en Kampa butangaspatron (artikelnummer 9120000991, medfølger ikke) eller andre P220 patroner, der er i overensstemmelse med EN 417.

Sikkerhedsanordning

Dette gasvarmeapparat er udstyret med en sikkerhedsanordning, som standser gasflowet, hvis trykket i patronen bliver for højt (f.eks. pga. overophedning).

Hvis det sker:

1. Fjern kilden til den overskydende varme.
2. Lad gaspatronen køle af.
3. Nulstil varmeapparatet.

Dele og reguleringer

Nr. på fig. 1, side 3	Betegnelse
1	Gitter
2	Keramisk plade
3	Panel
4	Greb
5	Gaspatronlåsereg
6	Betjeningsknap
7	Grebsforbyrning
8	Patrondæksel
9	Fod

Anvendelse af dette varmeapparat



FORSIGTIG! Forbrændingsfare

- Hold hænder, ansigt og hår væk fra brænderne.
- Bær ikke løst tøj, og lad ikke håret hænge frit ned, mens du tænder eller bruger dette varmeapparat.
- Hold børn og dyr på sikker afstand.
- Hold grundigt øje med alle aktiviteter omkring varmeapparatet for at undgå forbrændinger eller andre kvæstelser.
- Flyt ikke varmeapparatet under brug.
- Berør ikke de varme dele på varmeapparatet under og efter brug.
- Lad varmeapparatet køle korrekt af, før du opbevarer det.
- Afbryd altid F-gaspatronen efter brug.

Placering af varmeapparatet

Vær opmærksom på følgende henvisninger, når du vælger placeringen for dette varmeapparat:

- Anbring varmeapparatet udenfor.
- Området skal have god ventilation. Du må ikke placere det i en fordybning, så du undgår, at der samler sig gasser omkring det.
- Beskyt varmeapparatet mod vind og direkte træk.
- Fjern alle brændbare materialer i det omgivende område.
- Vælg en plan, stabilt, ikke-brændbar overflade til at placere varmeapparatet.
- Placér aldrig varmeapparatet i nærheden af eller på brændbare materialer, selv når det køler af. Overhold en afstand på mindst 100 cm fra brændbare materialer.
- Produktet skal stå på en bund, der kan modstå varme på op til mindst 80 °C. Huset kan blive meget varmt under brug.
- Overhold sikkerhedshenvisningerne, se kapitlet „Sikkerhedsforanstaltninger under håndtering af F-gas“ på side 55.

Isætning af gaspatronen



ADVARSEL! Eksplosionsfare

Kontrollér, at patronpakningens ventil sidder korrekt og er i god tilstand, før gaspatronen anvendes.

1. Fortsæt som vist (fig. **2**, side 3).
2. Brug ikke voldsom kraft. Hvis patronens låsegreb ikke kan trykkes ned, skal du kontrollere indhakkets position.
3. Hvis du hører en hvislende lyd, er gaspatronen ikke blevet sat korrekt i. Lås patronens låsegreb op, og sæt patronen i igen.

Tænding og styring af varmeapparatet



ADVARSEL! Sundhedsfare

Lad ikke produktet være uden opsyn, mens det anvendes.

1. Fortsæt som vist (fig. **3**, side 4).
2. Gentag tændingsprocessen, hvis brænderen ikke tænder.

Fjernelse af gaspatronen



ADVARSEL! Sundhedsfare

- Transportér og opbevar ikke varmeapparatet, mens gaspatronen er sat i.
- Fjern gaspatronen i et område med god ventilation.
- Sørg for, at der ikke er åbne flammer i nærheden.
- Fjern kun gaspatronen, når varmeapparatet er slukket og er kølet af.

Patronen må afbrydes, selv om der en smule gas tilbage.

1. Fortsæt som vist (fig. **4**, side 5).
2. Kontrollér indholdet af patronen ved at ryste den og lytte efter flydende gas.
3. Sæt beskyttelseshætten på igen, og opbevar gaspatronen i et koldt område med god ventilation og uden for børns rækkevidde.
4. Kontrollér patronpakningens ventil. Få pakningen udskiftet af en kvalificeret person, hvis materialet er skrøbeligt eller porøst.

Flytning og opbevaring af varmeapparatet



ADVARSEL! Sundhedsfare

Transportér og opbevar ikke varmeapparatet, mens gaspatronen er sat i.

Gå frem på følgende måde:

1. Sluk for varmeapparatet.
2. Lad varmeapparatet køle helt af.
3. Fjern gaspatronen fra varmeapparatet (se kapitlet „Fjernelse af gaspatronen“ på side 57).
4. Rengør varmeapparatet (se kapitlet „Rengøring og vedligeholdelse“ på side 58).

5. Opbevar varmeapparatet på et plant og stabilt, tørt sted, der er uden for børns rækkevidde.

Rengøring og vedligeholdelse

Rengør varmeapparatet efter hver brug:

1. Kontrollér, at produktet er koldt.
2. Fjern gaspatronen fra produktet.
3. Vask produktets overflader med varmt sæbevand.
4. Kontrollér regelmæssigt brænderen for at se, om den er fri for snavs som insekter. Brug en børste for en rengøre den.

Udbedring af fejl

Fejl	Årsag	Løsning
Patronen kan ikke installeres	Betjeningsknappen ikke drejet hele vejen til positionen OFF (fra)	Drej betjeningsknappen hele vejen til positionen OFF (fra), og efterjuster patronen.
	Ukorrekt installation af patron	Sørg for, at ringen på regulatoren går i indgreb med kærven på patronens flange.
Ingen gastilførsel i positionen MAX (maks.)	Ingen gas tilbage i patronen	Udskift gaspatronen.
	Ukorrekt installation af patron	Sørg for, at ringen på regulatoren går i indgreb med kærven på patronens flange.
	Aktiveret sikkerhedsanordning	Lad patronen køle af.
	Fejlfunktion på betjeningsknappen	Kontakt en autoriseret tekniker med henblik på reparation.
	Tilstoppet dyse	Kontakt en autoriseret tekniker med henblik på reparation.
Lugt af gas i positionen OFF (fra)	Ukorrekt installation af patron	Sørg for, at ringen på regulatoren går i indgreb med kærven på patronens flange.
	Fejlfunktion på betjeningsknappen	Kontakt en autoriseret tekniker med henblik på reparation.

Fejl	Årsag	Løsning
Lav flamme	Der er ingen gas tilbage i patronen	Udskift gaspatronen.
	Tilstoppede brænderhuller	Anvend en metalbørste til at rengøre brænderhullerne.
	Fejlfunktion på betjeningsknappen	Kontakt en autoriseret tekniker med henblik på reparation.
	Tilstoppet dyse	Kontakt en autoriseret tekniker med henblik på reparation.
Ujævn flamme	Der er ingen gas tilbage i patronen	Udskift gaspatronen.
	Tilstoppede brænderhuller	Anvend en metalbørste til at rengøre brænderhullerne.
Ingen tænding/mangelfuld tænding	Der er ingen gas tilbage i patronen	Udskift gaspatronen.
	Ukorrekt installation af patron	Sørg for, at ringen på regulatoren går i indgreb med kærven på patronens flange.
	Sikkerhedsanordning aktiveret	Lad patronen køle af.
	Tilstoppede brænderhuller	Anvend en metalbørste til at rengøre brænderhullerne.
	Bøjet eller rusten elektrode	Rengør elektroden.
	Fejlfunktion på betjeningsknappen	Kontakt en autoriseret tekniker med henblik på reparation.
	Tilstoppet dyse	Kontakt en autoriseret tekniker med henblik på reparation.
Slukning under drift	Der er ingen gas tilbage i patronen	Udskift gaspatronen.
	Sikkerhedsanordning aktiveret	Lad patronen køle af.

Garanti

Den lovbestemte garantiperiode gælder. Hvis produktet er defekt, skal du kontakte producentens afdeling i dit land (se kampaoutdoors.com/store-locator) eller din forhandler.

Ved reparation eller krav om garanti skal du medsende følgende bilag:

- en kopi af regningen med købsdato
- en reklameringsgrund eller en fejlbeskrivelse.



Hvis du tager produktet endegyldigt ud af drift, skal du kontakte det nærmeste recyclingcenter eller din faghandel for at få de pågældende forskrifter om bortskaffelse.

Bortskaffelse

► Bortskaf så vidt muligt emballagen sammen med det tilsvarende genbrugsaffald.

Tekniske data

	Hottie
Gaskategori:	Butan
Gaspatrontype:	P220
Produktkategori:	I _{3B} , direkte tryk
Tænding:	Piezo
Varmeeffekt for brænder:	2,0 kW
Gasforbrug:	145 g/h
Injektorstørrelse:	0,50 mm
Mål (H x B x D):	270 x 310 x 160 mm
Vægt:	1,78 kg
Godkendelse:	

Läs och följ noggrant alla instruktioner, direktiv och varningar i den här produkthandboken för att säkerställa att du alltid installerar, använder och underhåller produkten på rätt sätt. Dessa instruktioner MÅSTE förvaras tillsammans med produkten.

Genom att använda produkten bekräftar du härmed att du noggrant har läst alla instruktioner, direktiv och varningar och att du förstår och är införstådd med att följa de villkor som anges här. Du är införstådd med att endast använda denna produkt i avsett syfte och i enlighet med instruktionerna, direktiven och varningarna som anges i denna produkthandbok samt i enlighet med alla gällande lagar och bestämmelser. Om du inte läser och följer instruktionerna och varningarna som anges här kan det leda till personskador på dig eller andra, på produkten eller annan egendom i närheten. Denna produkthandbok, inklusive instruktionerna, direktiven och varningarna samt relaterad information, kan ändras och uppdateras. För uppdaterad produktinformation, besök kampaoutdoors.com.

Förklaring av symboler



FARA!

Säkerhetsanvisning: Anger en farlig situation som, om den inte kan undvikas, leder till döden eller allvarlig personskada.



WARNING!

Säkerhetsanvisning: Anger en farlig situation som, om den inte kan undvikas, kan leda till döden eller allvarlig personskada.



AKTA!

Säkerhetsanvisning: Anger en farlig situation som, om den inte kan undvikas, leder till lindrig eller måttlig personskada.

Säkerhetsanvisningar

Allmänna säkerhetsanvisningar



WARNING! Om man underlåter att följa de här varningarna kan följden bli dödsfall eller allvarlig personskada.

Explosionsrisk

- Denna värmaren får endast repareras av härför utbildad personal. Icke fackmässiga reparationer kan medföra allvarliga risker.
- Ändra ingenting på den här värmaren.
- Ta inte bort eller byt ut några av värmarens komponenter.

- Värmaren får endast användas med en Kampa butangaspatron (artikelnr 9120000991) eller annan P220-patron som uppfyller EN 417. Det kan vara farligt att försöka montera andra typer av gasbehållare.



AKTA! Om man underlåter att följa de här försiktighetsåtgärderna kan följden bli lindrig eller måttlig personskada.

Brandrisk

- Den här värmaren får endast användas av vuxna.
- Lämna inte värmaren utan uppsikt när den är het eller används.
- Se till att ha en brandsläckare eller annan lämplig släckutrustning redo att användas.

Risk för brännskada

- Håll händer, ansikte och hår borta från brännare.
- Använd inte löst åtsittande plagg och låt inte långt hår hänga fritt när du tänder eller använder värmaren.
- Håll barn och husdjur på säkert avstånd från produkten.
- Håll noggrann uppsikt över all aktivitet kring värmaren för att undvika brännskador eller andra personskador.

Säkerhet vid användning av värmaren



FARA! Om inte dessa anvisningar följs leder det till dödsfall eller allvarliga personskador.

Fara för kolmonoxidförgiftning

- Använd aldrig värmaren inomhus. Vid förbränning av flytande gas bildas kolmonoxid som samlas i slutna utrymmen.

Kvävningsrisk

- Om värmaren ska användas i ej ventilerade utrymmen leder det till syrebrist i dessa utrymmen.
- Använd inte värmaren i ej ventilerade utrymmen som slutna rum, tält, förtält, motorfordon, husbilar, husvagnar eller inuti fartyg, nöjesbåtar, fritidsbåtar eller lastbilshytter.
- Använd endast apparaten utomhus.



WARNING! Om man underlåter att följa de här varningarna kan följden bli dödsfall eller allvarlig personskada.

Explosionsrisk

- Denna värmare ska bara användas utomhus över marknivå med naturlig ventilation, utan stillastående områden så att gasläckage och förbränningsprodukter snabbt skingras genom vind och naturlig konvektion.
- Använd inte värmaren om den läcker, är skadad eller inte fungerar på rätt sätt.
- Ställ inga kemikalier, brännbara material eller aerosolsprayer nära värmaren.
- Använd aldrig öppen låga för att leta efter gasläckage.
- Om du känner gaslukt:
 - Försök inte tända denna värmare.
 - Släck all öppen eld.
 - Koppla bort den från gastillförsel.
 - Låt en specialist undersöka gasanläggningen.
- Gaspatroner får bara monteras eller demonteras utomhus på behörigt avstånd från öppen eld, låga eller annan tändkälla och endast om denna värmare är sval nog att vidröra.
- Kontrollera att tätningen mellan värmaren och gaspatronen sitter på plats och är i gott skick innan du använder gaspatronen.
- Använd inte värmaren om tätningen är skadad eller sliten.
- Använd inte värmaren i direkt solljus.



AKTA! Om man underlåter att följa de här försiktighetsåtgärderna kan följden bli lindrig eller måttlig personskada.

Brandrisk

- lakta ett fritt utrymme på minst 20 cm från värmarens sida och baksida till alla övriga konstruktioner eller objekt.
- lakta ett fritt utrymme på minst 100 cm från värmarens framsida.
- Det får inte finnas något brännbart material eller lättantändliga vätskor, inklusive trä, torra växter eller gräs, buskage, papper eller målardukar i området kring värmaren.
- Använd endast den här värmaren på ett jämnt, stabilt och icke brännbart underlag som till exempel tegel, cement eller jord.

- Använd inte den här värmaren på underlag som kan brinna eller smälta som till exempel trä, asfalt, vinyl eller plast.
- Håll brännbara föremål borta från brännaren. Använd inte värmaren för att torka kläder eller några andra lättantändliga föremål.
- Täck inte över eller blockera värmaren med någon produkt eller föremål.
- Använd inte värmaren som en spis eller vänd den så att den hamnar på baksidan
- Placera inte livsmedel på brandgallret.
- Stäng av gastillförseln om brand uppstår.

Risk för brännskada

- Flytta inte på värmaren medan den används.
- Använd skyddshandskar vid hantering av heta delar.
- Låt värmaren svalna ordentligt innan du rör vid den med bara händerna.
- Åtkomliga delar kan vara mycket heta. Håll små barn på avstånd.
- Intag av alkohol eller receptbelagda och receptfria mediciner kan försämra din förmåga att montera värmaren korrekt och använda den på ett säkert sätt.

Hälsorisk

- Använd endast värmaren när en vuxen kan hålla uppsikt över den.

Säkerhetsåtgärder vid hantering av flytande gas



WARNING! Om man underlåter att följa de här varningarna kan följden bli dödsfall eller allvarlig personskada.

- Ta alltid bort patronen med flytande gas efter användning.
- Tänd eller stick **aldrig** hål på en gaspatron, detta gäller även om den är tom.
- Sätt **aldrig** in eller ta ut gaspatronen inomhus, i dåligt ventilerade utrymmen, nära andra personer, nära värmekällor eller när apparaten fortfarande är varm.
- Förvara **aldrig** gaspatroner i oventilerade utrymmen eller under markytan (trattformiga hål i marken).
- Förvara **aldrig** gaspatroner i byggnader som garage eller liknande.

- Förvara gaspatronerna på behörigt avstånd från värme- eller köksmaskiner och värmekällor i ett väl ventilerat utrymme utom räckhåll för barn.
- Förvara inte gaspatronerna liggande.
- Håll gaspatronerna borta från direkt solljus. Temperaturen får inte överskrida 50 °C.
- Bortskaffa gaspatronerna enligt de lokala myndigheternas bestämmelser.

Avsedd användning

Den bärbara gasvärmaren Hottie passar för:

- För utomhusbruk

Den bärbara gasvärmaren Hottie är **inte** avsedd för:

- Inomhusbruk
- Slutna utrymmen

Den här produkten lämpar sig endast för avsedd användning i enlighet med denna bruksanvisning.

Den här manualen informerar om vad som krävs för att installera och/eller använda produkten på rätt sätt. Felaktig installation och/eller användning eller felaktigt underhåll kommer leda till att produkten inte fungerar optimalt och riskerar gå sönder.

Tillverkaren åtar sig inget ansvar för personskador eller materiella skador på produkten som uppstår till följd av:

- Felaktig montering eller anslutning, inklusive för hög spänning
- Felaktigt underhåll eller användning av reservdelar som inte är originaldelar från tillverkaren
- Ändringar som utförts utan uttryckligt medgivande från tillverkaren
- Användning för andra ändamål än de som beskrivs i denna bruksanvisning

Kampa förbehåller sig rätten att ändra produktens utseende och specifikationer.

Teknisk beskrivning

Den här bärbara gasvärmaren har en brännare.

Gasvärmaren är avsedd att anslutas till en Kampa butangaspatron (artikelnr 9120000991, medföljer ej) eller annan P220-patron som uppfyller EN 417.

Säkerhetsanordning

Gasvärmaren har en säkerhetsanordning som stoppar gasflödet om trycket i patronen blir för högt (exempelvis på grund av överhettning).

Om detta sker:

1. Ta bort källan till en extra hetta.
2. Låt gaspatronen svalna.
3. Återställ värmaren.

Delar och reglage

Pos. på bild 1, sida 3	Beteckning
1	Brandskydd
2	Keramikplatta
3	Panel
4	Handtag
5	Gaspatronsspak
6	Reglageratt
7	Infällt handtag
8	Patronskydd
9	Fötter

Använda den här värmaren



AKTA! Risk för brännskada

- Håll händer, ansikte och hår borta från brännare.
- Använd inte löst åtsittande plagg och låt inte långt hår hänga fritt när du tän-der eller använder värmaren.
- Håll barn och husdjur på säkert avstånd från produkten.
- Håll noggrann uppsikt över all aktivitet kring värmaren för att undvika bränn-skador eller andra personsador.
- Flytta inte på värmaren medan den används.
- Vidrör inte värmarens heta delar under eller efter användningen.
- Låt värmaren svalna innan den ställs undan.
- Ta alltid bort patronen med flytande gas efter användning.

Ställa upp värmaren

Beakta följande anvisningar vid val av uppställ-ningsplats för värmaren:

- Placera värmaren utomhus.
- Platsen måste ha god ventilation. Placera inte produkten i en fördjupning, annars kan gaser ansamlas i en sådan.
- Håll värmaren skyddad mot vind och direkt drag.
- Ta bort allt brännbart material i området kring värmaren.
- Välj ett jämnt, stabilt och icke brännbart under-lag att ställa upp värmaren på.
- Placera aldrig värmaren nära eller på antändliga material, inte ens för avsvälning. Håll ett avstånd på minst 100 cm till antändliga material.
- Produkten måste stå på en basdel som kan stå emot värme på minst 80 °C. Höljet kan bli mycket varmt vid användning.
- Följ säkerhetsanvisningarna, se kapitel "Säker-hetsåtgärder vid hantering av flytande gas" på sidan 62.

Sätta in gaspatronen



WARNING! Explosionsrisk

Kontrollera att patronens tätningsventil sitter på plats och är i gott skick innan du sätter in gaspatronen.

1. Gå tillväga enligt bilden (bild **2**, sida 3).
2. Använd inte våld. Om patronens låsspak inte går att trycka ner, kontrollera skårans läge.
3. Om du hör ett väsande ljud har inte gaspatro-nen monterats rätt. Lossa patronens låsspak och placera om patronen.

Tända och manövrera värmaren



WARNING! Hälsorisk

Lämna inte produkten utan uppsikt när den används.

1. Gå tillväga enligt bilden (bild **3**, sida 4).
2. Om brännaren inte tänds ska tändningspro-cessen upprepas.

Ta ut gaspatronen



WARNING! Hälsorisk

- Värmaren får inte transporteras eller förvaras med gaspatronen insatt.
- Ta bort gaspatronen på en plats med god ventilation.
- Se till att det inte finns någon öppen låga eller eld i närheten.
- Ta bara bort gaspatronen när värmaren är avstängd och har svalnat.

Patronen kan tas bort även om det finns lite gas kvar.

1. Gå tillväga enligt bilden (bild **4**, sida 5).
2. Kontrollera patronens innehåll genom att skaka den och lyssna efter flytande gas.
3. Sätt tillbaka skyddslocket och förvara gaspa-tronen på ett svalt ställe med god ventilation utom räckhåll för barn.
4. Kontrollera ventilen för patrontätningen. Låt en kvalificerad tekniker byta ut tätningen och materialet är sprött eller poröst.

Flytta och förvara värmaren



VARNING! Hälsorisk

Värmaren får inte transporteras eller förvaras med gaspatronen insatt.

Gå tillväga på följande sätt:

1. Stäng av värmaren.
2. Låt värmaren svalna helt.
3. Ta bort gaspatronen från värmaren (se kapitel "Ta ut gaspatronen" på sidan 64).
4. Rengör värmaren (se kapitel "Rengöring och skötsel" på sidan 65).

5. Förvara värmaren på en plats där den står jämnt och stabilt utom räckhåll för barn.

Rengöring och skötsel

Rengör värmaren efter varje användningstillfälle:

1. Se till att produkten svalnat.
2. Ta bort gaspatronen från produkten.
3. Tvätta produktens yta med varmt såpvatten.
4. Kontrollera regelbundet brännaren för att se om det finns smuts som insekter på den. Använd en borste för att rengöra den.

Felsökning

Fel	Orsak	Åtgärd
Det går inte att installera patronen	Det går inte att vrida reglageratten hela vägen till AV-läget	Vrid reglageratten hela vägen till AV-läget och återställ patronen.
	Fel Installation av patronen	Kontrollera att fliken på reglaget hakar fast i spåret på partonkragen.
Inte gasförsörjning i MAX-läge	Det finns inge gas i patronen	Byt ut patronen.
	Fel Installation av patronen	Kontrollera att fliken på reglaget hakar fast i spåret på partonkragen.
	Aktiverad säkerhetsanordning	Låt patronen svalna.
	Reglageratten ur funktion	Kontakta en behörig tekniker för reparation.
	Igentäppt munstycke	Kontakta en behörig tekniker för reparation.
Gaslukt i AV-läget	Fel Installation av patronen	Kontrollera att fliken på reglaget hakar fast i spåret på partonkragen.
	Reglageratten ur funktion	Kontakta en behörig tekniker för reparation.
Svag låga	Det finns inge gas kvar i patronen	Byt ut patronen.
	Igentäppta hål i brännaren	Använd en metallborste för att rengöra hålen i brännaren.
	Reglageratten ur funktion	Kontakta en behörig tekniker för reparation.
	Igentäppt munstycke	Kontakta en behörig tekniker för reparation.

Fel	Orsak	Åtgärd
Ojämn låga	Det finns inge gas kvar i patronen	Byt ut patronen.
	Igentäppta hål i brännaren	Använd en metallborste för att rengöra hålen i brännaren.
Ingen tändning/bristfällig tändning	Det finns inge gas kvar i patronen	Byt ut patronen.
	Fel Installation av patronen	Kontrollera att fliken på reglaget hakar fast i spåret på partonkragen.
	Aktiverad säkerhetsanordning	Låt patronen svalna.
	Igentäppta hål i brännaren	Använd en metallborste för att rengöra hålen i brännaren.
	Krökt eller rostig elektrod	Rengör elektroden.
	Reglageratten ur funktion	Kontakta en behörig tekniker för reparation.
	Igentäppt munstycke	Kontakta en behörig tekniker för reparation.
Slocknar under användning	Det finns inge gas kvar i patronen	Byt ut patronen.
	Aktiverad säkerhetsanordning	Låt patronen svalna.

Garanti

Den lagstadgade garantitiden gäller. Kontakta tillverkarens filial i ditt land eller din återförsäljare om produkten är defekt (se kampaoutdoors.com/store-locator).

Vid reparations- och garantiärenden ska följande dokument skickas med när du returnerar produkten:

- En kopia på fakturan med inköpsdatum
- En reklamerationsbeskrivning eller felbeskrivning

Avfallshantering

► Lämna om möjligt förpackningsmaterialet till återvinning.



När produkten slutgiltigt tas ur bruk: informera dig om gällande bestämmelser hos närmaste återvinningscentral eller hos återförsäljaren.

Tekniska data

	Hottie
Gasklass:	Butan
Gaspatrontyp:	P220
Produktkategori:	I _{3B} , direkt tryck
Tändning:	Piezo
Brännarvärmens ineffekt:	2,0 kW
Gasförbrukning:	145 g/h
Injektorstorlek:	0,50 mm
Mått (H x B x D):	270 x 310 x max 160 mm
Vikt:	1,78 kg
Certifiering:	

Vennligst les disse instruksjonene nøye og følg alle anvisninger, retningslinjer og advarsler i denne produktveiledningen for å sikre at du installerer, bruker og vedlikeholder produktet ordentlig til enhver tid. Disse instruksjonene MÅ alltid følge med produktet.

Ved å bruke dette produktet bekrefter du at du har lest alle anvisninger, retningslinjer og advarsler grundig, og at du forstår og samtykker i å overholde vilkårene slik de er presentert her. Du godtar å bruke dette produktet kun til tiltenkt formål og bruksområder, og i samsvar med anvisningene, retningslinjene og advarslene slik de er presentert i denne produktveiledningen, så vel som i samsvar med alle gjeldende lovbestemmelser og forskrifter. Hvis anvisningene og advarslene som er presentert her, ikke blir lest og fulgt, kan det føre til personskader hos deg selv eller andre, skader på produktet eller skader på annen eiendom i nærheten. Denne produktveiledningen med sine anvisninger, retningslinjer og advarsler, samt relatert dokumentasjon, kan være underlagt endringer og oppdateringer. Oppdatert produktinformasjon finner du på kampaoutdoors.com.

Symbolforklaring



FARE!

Sikkerhetsregel: Kjennetegner en farlig situasjon som, dersom den ikke unngås, vil føre til alvorlige personskader, eventuelt med døden til følge.



ADVARSEL!

Sikkerhetsregel: Kjennetegner en farlig situasjon som - dersom den ikke unngås - kan resultere i alvorlige personskader, eventuelt med døden til følge.



FORSIKTIG!

Sikkerhetsregel: Kjennetegner en farlig situasjon som - dersom den ikke unngås - kan resultere i mindre til moderate personskader.

Sikkerhetsanvisninger

Grunnleggende sikkerhet



ADVARSEL! Manglende overholdelse av disse advarslene kan resultere i alvorlige personskader, eventuelt med døden til følge.

Eksplisjonsfare

- Reparasjoner på varmeapparatet må kun utføres av kvalifiserte fagfolk. Usakkyndige reparasjoner kan føre til alvorlige farer.
- Ikke modifier varmeapparatet.
- Ikke fjern eller erstatt komponenter på dette varmeapparatet.

- Varmeapparatet skal bare brukes med en Kampa butangassflaske (artikkelnr. 9120000991) eller andre P220-flasker som er i samsvar med EN 417. Det kan være farlig å forsøke å tilpasse andre typer gassbeholdere.



FORSIKTIG! Manglende overholdelse av disse forsiktighetsvarslene kan resultere i mindre til moderate personskader.

Brannfare

- Varmeapparatet må kun benyttes av voksne personer.
- Ikke la dette varmeapparatet være uten tilsyn når det er varmt eller i bruk.
- Hold klar et brannslukningsapparat eller andre midler for å slukke flammer.

Fare for forbrenning

- Hold hender, ansikt og hår vekk fra brennere.
- Ikke bruk løstsittende klær eller la langt hår henge løst mens du tenner på eller bruker varmeapparatet.
- Hold barn og kjæledyr på sikker avstand.
- Overvåk nøye all aktivitet rundt varmeapparatet for å unngå forbrenninger eller andre personskader.

Sikkerhet ved bruk av varmeapparatet



FARE! Hvis disse anvisningene ikke overholdes, kan det oppstå alvorlige personskader, eventuelt med døden til følge.

Fare for karbonmonoksidforgiftning

- Bruk aldri dette varmeapparatet innendørs. Brenning av flytende gass produserer karbonmonoksid som samler seg opp inne i lukkede områder.

Kvelningsfare

- Bruk av dette varmeapparatet på et uventilert sted fører til surstoffmangel i området.
- Ikke bruk dette varmeapparatet i områder som ikke er ventilert, slik som i lukkede rom, telt, fortelt, biler, bobiler, campingvogner eller inne i skip, yachter, båter eller lastebilførerhus.
- Bruk det kun utendørs.



ADVARSEL! Manglende overholdelse av disse advarslene kan resultere i alvorlige personskader, eventuelt med døden til følge.

Ekspløsjonsfare

- Varmeapparatet skal bare brukes over bakken i friluft med naturlig ventilasjon, uten stillestående omgivelser, hvor gasslekkasjer og forbrenningsprodukter raskt spres av vind og naturlig utskifting.
- Ikke bruk apparatet dersom det lekker, er skadd eller ikke fungerer ordentlig.
- Ikke plasser kjemikalier, antennelige materialer eller spraybokser i nærheten av varmeapparatet.
- Bruk aldri åpen ild for å sjekke om det foreligger en gasslekkasje.
- Hvis du merker gasslukt:
 - Ikke forsøk å tenne varmeapparatet.
 - Slukk alle åpne flammer.
 - Frakoble det fra gassforsyningen.
 - Få gassanlegget sjekket av en fagperson.
- Gassflasken må kun festes eller løsnes utendørs og borte fra åpen ild, pilotflammer eller andre antennesskilder, og kun når varmeapparatet er så nedkjølt at det kan berøres.
- Sjekk at tetningene mellom varmeapparatet og gassflasken er på plass og i god stand før du benytter gassflasken.
- Ikke bruk varmeapparatet hvis tetningen er skadet eller slitt.
- Ikke plasser varmeapparatet i direkte sollys.



FORSIKTIG! Manglende overholdelse av disse forsiktighetsvarslene kan resultere i mindre til moderate personskader.

Brannfare

- Hold minst 20 cm avstand mellom sidene og baksiden av varmeapparatet og bygningelementer eller andre gjenstander.
- Hold minst 100 cm avstand fra forsiden av varmeapparat.
- Hold omgivelsene rundt frie for antennelige materialer og brennbare væsker, inkludert trevirke, tørre planter og gress, løv, papir og tekstiler.
- Bruk kun varmeapparatet på en flatt, stabilt og ikke antennelig underlag som murstein, betong eller jord.

- Ikke bruk varmeapparatet på overflater som kan brenne eller smelte, som tre, asfalt, vinyl eller plast.
- Hold brennbare gjenstander borte fra brennen. Ikke bruk varmeapparatet for å tørke klær eller andre antennelige gjenstander.
- Ikke dekk til eller sperr av varmeapparatet med noen slags gjenstander.
- Ikke bruk varmeapparatet som kokeapparat, og ikke velt det over på baksiden
- Ikke plasser matvarer på varmeristen.
- Ved brann må gassforsyningen stenges.

Fare for forbrenning

- Ikke flytt på varmeapparatet under bruk.
- Bruk vernehansker ved håndtering av varme komponenter.
- La varmeapparatet kjøle ordentlig ned før du berører det med bare hender.
- Tilgjengelige deler kan være svært varme. Hold små barn unna.
- Bruk av alkohol eller av reseptpliktige eller ikke reseptpliktige medikamenter kan påvirke din evne til å sette sammen eller betjene varmeapparatet på en trygg måte.

Helsefare

- Bruk kun varmeapparatet dersom en voksen kan passe på det.

Sikkerhetsforanstaltninger ved håndtering av flytende gass



ADVARSEL! Manglende overholdelse av disse advarslene kan resultere i alvorlige personskader, eventuelt med døden til følge.

- Frakoble alltid flasken med flytende gass etter bruk.
- En gassflaske må **aldri** forbrennes eller punkteres, heller ikke når den er tom.
- Du må **aldri** sette inn eller ta ut gassflasken innendørs, i dårlig ventilerte områder, nær andre mennesker, nær varmekilder, eller hvis apparatet fortsatt er varmt.
- Oppbevar **aldri** gassflasker på steder uten lufting eller under bakkenivå (traktformede grøfter).
- Oppbevar **aldri** gassflasker i garasjer og lignende bygninger.

- Oppbevar gassflasker borte fra varme- eller kokeapparater og varmekilder i et godt ventilert område utilgjengelig for barn.
- Ikke oppbevar gassflasker liggende på siden.
- Utsett ikke gassflasker for direkte sollys. Temperaturen bør ikke overskride 50 °C.
- Gassflasker må avfallsbehandles i tråd med gjeldende forskrifter.

Forskriftsmessig bruk

Det bærbare gassvarmeapparatet Hottie er egnet for:

- Friluftaktiviteter

Det bærbare gassvarmeapparatet Hottie er **ikke** egnet for:

- Innendørs bruk
- Bruk i lukkede rom

Dette produktet er kun egnet for det tiltenkte formålet og bruksområdet i samsvar med disse instruksjonene.

Denne veiledningen gir informasjon som er nødvendig for korrekt installasjon og/eller bruk av produktet. Feilaktig installasjon og/eller ukorrekt bruk eller vedlikehold vil resultere i en utilfredsstillende ytelse og mulig svikt.

Produsenten fraskriver seg ethvert ansvar for personskader eller materielle skader på produktet som følge av:

- Ukorrekt montering eller tilkobling, inkludert for høy spenning
- Ukorrekt vedlikehold eller bruk av andre reservedeler enn originale reservedeler levert av produsenten
- Modifisering av produktet uten at det er gitt uttrykkelig godkjenning av produsenten
- Bruk til andre formål enn beskrevet i denne veiledningen

Kampa forbeholder seg rettigheten til å endre produktets produktspesifikasjoner og utseende.

Teknisk beskrivelse

Dette gassvarmeapparatet har ett brennelement. Gassvarmeapparatet er konstruert for å tilkobles til en Kampa butangassflaske (artikkelnr. 9120000991, medfølger ikke) eller andre P220-flasker som er i samsvar med EN 417.

Sikkerhetsinnretning

Gassvarmeapparatet er utstyrt med en sikkerhetsinnretning som stopper gasstrømmen hvis trykket i flasken blir for høyt (for eksempel på grunn av overoppheting).

Hvis dette skjer:

1. Fjern kilden til overopphetingen.
2. La gassflasken kjøles ned.
3. Start varmeapparatet på nytt.

Deler og kontrollenheter

Nr. i fig. 1, side 3	Betegnelsen
1	Varmedeksel
2	Keramikkplate
3	Panel
4	Håndtak
5	Gassflaskespak
6	Dreieknapp
7	Innfelt håndtak
8	Flaskedeksel
9	Støtte

Bruk av varmeapparatet



FORSIKTIG! Fare for forbrenning

- Hold hender, ansikt og hår vekk fra brennere.
- Ikke bruk løstsittende klær eller la langt hår henge løst mens du tenner på eller bruker varmeapparatet.
- Hold barn og kjæledyr på sikker avstand.
- Overvåk nøye all aktivitet rundt varmeapparatet for å unngå forbrenninger eller andre personskader.
- Ikke flytt på varmeapparatet under bruk.
- Ikke berør varme deler på varmeapparatet under og etter bruk.
- La varmeapparatet kjøles ned ordentlig før det settes bort.
- Frakoble alltid flasken med flytende gass etter bruk.

Plassering av varmeapparatet

Følg disse anvisningene når du velger et sted å sette opp varmeapparatet:

- Plasser varmeapparatet utendørs.
- Stedet må ha en god ventilasjon. Ikke plasser den i en fordypning, da det kan samle seg gasser der.
- Hold varmeapparatet beskyttet mot vind og direkte trekkluft.
- Fjern antennelige materialer i området rundt.
- Velg et flatt, stabilt og ikke-antennelige underlag til plassering av varmeapparatet.
- Plasser aldri varmeapparatet i nærheten av eller på antennelige materialer, heller ikke under nedkjøling. Hold en avstand på minst 100 cm til antennelige materialer.
- Grillen må stå på en bunn som kan motstå varme på opptil 80 °C. Huset kan bli veldig varmt når den er i bruk.
- Følg sikkerhetsreglene, se kapittel «Sikkerhetsforanstaltninger ved håndtering av flytende gass» på side 68.

Sette inn gassflasken



ADVARSEL! Eksplosjonsfare

Sjekk at flasketetningen er på plass og i god stand før du setter inn gassflasken.

1. Gå frem som vist (fig. **2**, side 3).
2. Ikke bruk overdreven kraft. Hvis låsespaken på flasken ikke lar seg trykke ned, sjekk posisjonen til sperren.
3. Hvis du hører en hvislende lyd, har ikke gassflasken koblet til ordentlig. Løsne låsespaken på flasken og plasser flasken på nytt.

Tenning og betjening av varmeapparatet



ADVARSEL! Helsefare

Ikke la grillen være uten tilsyn under bruk.

1. Gå frem som vist (fig. **3**, side 4).
2. Dersom brenneren ikke tennes, gjentas tenningsprosedyren.

Ta ut gassflasken



ADVARSEL! Helsefare

- Ikke transporter eller oppbevar varmeapparatet med gassflasken satt inn.
- Ta ut gassflasken på et godt ventilert sted.
- Forsikre deg om at det ikke er noen åpen ild i nærheten.
- Fjern først gassflasken når apparatet er slått av og har kjølt seg ned.

Flasken kan frakobles selv om den ikke er helt tom.

1. Gå frem som vist (fig. **4**, side 5).
2. Sjekk innholdet i en flaske ved å riste på den og lytte etter den flytende gassen.
3. Sett på beskyttelseshetten igjen og lagre gassflasken på et kjølig, tørt og godt ventilert sted utilgjengelig for barn.
4. Undersøk flasketetningsventilen. Få en fagperson til å skifte ut tetningen hvis materialet er skjært eller porøst.

Flytte og oppbevare varmeapparatet



ADVARSEL! Helsefare

Ikke transporter eller oppbevar varmeapparatet med gassflasken satt inn.

Gå frem på følgende måte:

1. Slå av varmeapparatet.
2. La varmeapparatet kjøle helt ned.
3. Ta ut gassflasken fra varmeapparatet (se kapittel «Ta ut gassflasken» på side 70).
4. Rengjør varmeapparatet (se kapittel «Rengjøring og vedlikehold» på side 71).

5. Oppbevar varmeapparatet på et jevnt, stabilt sted utilgjengelig for barn.

Rengjøring og vedlikehold

Rengjør varmeapparatet etter hver bruk:

1. Forsikre deg om at grillen er kald.
2. Ta ut gassflasken fra grillen.
3. Vask overflatene på produktet med varmt såpevann.
4. Sjekk brenneren regelmessig for å se om den er fri for smuss og insekter. Bruk en børste for å rengjøre den.

Feilretting

Problem	Årsak	Løsning
Flasken kan ikke monteres	Betjeningsknappen er ikke satt i stillingen OFF	Sett betjeningsknappen helt i stillingen OFF, og sett inn flasken på nytt.
	Flasken er feil installert	Forsikre deg om at tappen på regulatoren sitter riktig på plass i hylseåpningen på flasken.
Ingen gasstiltførsel i stillingen MAX	Gassflasken er tom for gass	Skift ut gassflasken.
	Flasken er feil installert	Forsikre deg om at tappen på regulatoren sitter riktig på plass i hylseåpningen på flasken.
	Aktivert sikkerhetsinnretning	La flasken kjøles ned.
	Betjeningsknappen fungerer ikke	Ta kontakt med en autorisert tekniker for reparasjon.
	Tilstoppet dyse	Ta kontakt med en autorisert tekniker for reparasjon.
Gasslukt i stillingen OFF	Flasken er feil installert	Forsikre deg om at tappen på regulatoren sitter riktig på plass i hylseåpningen på flasken.
	Betjeningsknappen fungerer ikke	Ta kontakt med en autorisert tekniker for reparasjon.

Problem	Årsak	Løsning
Liten flamme	Gassflasken er tom for gass	Skift ut gassflasken.
	Tilstoppede hull i brenneren	Rengjør brennerhullene med en metallbørste.
	Betjeningsknappen fungerer ikke	Ta kontakt med en autorisert tekniker for reparasjon.
	Tilstoppet dyse	Ta kontakt med en autorisert tekniker for reparasjon.
Ujevn flamme	Gassflasken er tom for gass	Skift ut gassflasken.
	Tilstoppede hull i brenneren	Rengjør brennerhullene med en metallbørste.
Ingen tenning / tenningen mislykkes	Gassflasken er tom for gass	Skift ut gassflasken.
	Flasken er feil installert	Forsikre deg om at tappen på regulatoren sitter riktig på plass i hylseåpningen på flasken.
	Aktivert sikkerhetsinnretning	La flasken kjøles ned.
	Tilstoppede hull i brenneren	Rengjør brennerhullene med en metallbørste.
	Elektroden er bøyd eller rusten	Rengjør elektroden.
	Betjeningsknappen fungerer ikke	Ta kontakt med en autorisert tekniker for reparasjon.
	Tilstoppet dyse	Ta kontakt med en autorisert tekniker for reparasjon.
Flammen slukker under bruk	Gassflasken er tom for gass	Skift ut gassflasken.
	Aktivert sikkerhetsinnretning	La flasken kjøles ned.

Garanti

Lovmessig garantitid gjelder. Hvis produktet er defekt: Ta kontakt med produsentens kontor i ditt land (se kampaoutdoors.com/store-locator) eller din forhandler.

Ved henvendelser vedrørende reparasjon eller garanti, må du sende med følgende dokumentasjon:

- Kopi av kvitteringen med kjøpsdato
- Årsak til reklamasjonen eller beskrivelse av feilen

Avfallshåndtering

► Lever emballasje til resirkulering så langt det er mulig.



Når du tar produktet ut av drift for siste gang, må du sørge for å få informasjon om deponeringsforskrifter hos nærmeste resirkuleringsstasjon eller hos din faghandler.

Tekniske spesifikasjoner

	Hottie
Gasskategori:	Butan
Type gassflaske:	P220
Produktkategori:	I _{3B} , direkte trykk
Tenning:	Piezo
Varmeeffekt brenner:	2,0 kW
Gassforbruk:	145 g/t
Injektorstørrelse:	0,50 mm
Mål (H x B x D):	270 x 310 x 160 mm
Vekt:	1,78 kg
Sertifisering:	

Lue nämä ohjeet huolellisesti ja noudata kaikkia tämän tuotteen käyttöohjeissa annettuja ohjeita, määräyksiä ja varoituksia. Näin varmistat, että tuotteen asennus, käyttö ja huolto sujuu aina oikein. Näiden ohjeiden TÄYTYÄ jäädä tuotteen yhteyteen.

Käyttämällä tuotetta vahvistat lukeneesi kaikki ohjeet, määräykset ja varoitukset huolellisesti ja että ymmärrät ja hyväksyt tässä annetut ehdot. Sitoudut käyttämään tuotetta ainoastaan sen käyttötarkoitukseen ja ilmoitetuissa käyttökohteissa ja noudattaen tässä tuotteen käyttöohjeessa annettuja ohjeita, määräyksiä ja varoituksia sekä voimassa olevia lakeja ja määräyksiä. Tässä annettujen ohjeiden ja varoitusten lukematta ja noudattamatta jättäminen voi johtaa omaan tai muiden loukkaantumiseen, tuotteen vaurioitumiseen tai muun ympärillä olevan omaisuuden vaurioitumiseen. Tähän tuotteen käyttöohjeeseen, ohjeisiin, määräyksiin ja varoituksiin sekä ohjesidoksentteihin voidaan tehdä muutoksia ja niitä voidaan päivittää. Katso ajantasaiset tuotetiedot osoitteesta kampaoutdoors.com.

Symbolien selitykset



VAARA!

Turvallisuusohjeet: Viittaa vaaralliseen tilanteeseen, joka johtaa kuolemaan tai vakavaan loukkaantumiseen, jos sitä ei vältetä.



VAROITUS!

Turvallisuusohjeet: viittaavat vaaralliseen tilanteeseen, joka voi johtaa kuolemaan tai vakavaan loukkaantumiseen, jos ohjeita ei noudateta.



HUOMIO!

Turvallisuusohjeet: viittaavat vaaralliseen tilanteeseen, joka voi johtaa lievään tai kohtalaiseen loukkaantumiseen, jos ohjeita ei noudateta.

Turvallisuusohjeet

Perusturvallisuus



VAROITUS! Näiden varoitusten noudattamatta jättäminen voi johtaa kuolemaan tai vakavaan vammaan.

Räjähdyksivaara

- Tätä lämmitintä saavat korjata ainoastaan tehtävään pätevät ammattilaiset. Virheellisesti suorite- tuista korjaustoista saattaa aiheutua huomattavia vaaroja.
- Älä tee tähän lämmittimeen mitään muutoksia.
- Älä poista äläkä vaihda mitään tämän lämmitin- men osia.

- Tätä lämmitintä tulee käyttää vain Kampa-butaa- nikaasupatruunalla (tuotenro 9120000991) tai muilla P220-patruunoilla, jotka vastaavat stan- dardia EN 417. Voi olla vaarallista yrittää sovittaa muuntyyppisiä kaasupatruunoita.



HUOMIO! Näiden varoitusten nou- dattamatta jättäminen voi johtaa vähäiseen tai kohtalaiseen vam- maan.

Palovaara

- Vain aikuiset saavat käyttää tätä lämmitintä.
- Älä jätä tätä lämmitintä ilman valvontaa sen ollessa kuuma tai toiminnassa.
- Pidä käden ulottuvilla palonsammutin tai muu sammuttamiseen sopiva väline.

Palovammojen vaara

- Pidä kädet, kasvat ja hiukset kaukana polttimista.
- Älä käytä löysää vaatetusta tai päästä pitkiä hiuk- sia roikkumaan vapaasti, kun sytytät tai käytät tätä lämmitintä.
- Pidä lapset ja lemmikkieläimet turvallisen matkan päässä.
- Tarkkaile huolellisesti kaikkea toimintaa tämän lämmitin lähellä välttääksesi palovammat tai muut vammat.

Tämän lämmitin käyttöturvallisuus



VAARA! Näiden ohjeiden noudatta- matta jättäminen johtaa kuolemaan tai vakavaan loukkaantumiseen.

Häkämrykitysvara

- Älä koskaan käytä tätä lämmitintä sisätiloissa. Nestekaasun palamisesta syntyy häkää, ja sulje- tuissa tiloissa se pääsee kertymään.

Tukehtumisvara

- Tämän lämmitin käyttäminen tuulettamatto- massa tilassa synnyttää happikadon.
- Älä käytä tätä lämmitintä tuulettamattomissa tiloissa kuten suljetuissa tiloissa, teltoissa, etel- toissa, moottorijoneuvoissa, matkailuautoissa, asuntovaunuissa tai sisällä laivoissa, jahdeissa, veneissä ja kuorma-auton hyteissä.
- Käytä laitetta ainoastaan ulkona.



VAROITUS! Näiden varoitusten noudattamatta jättäminen voi johtaa kuolemaan tai vakavaan vammaan.

Räjähdystvaara

- Tätä lämmitintä saa käyttää vain maanpinnan yläpuolella ulkona, missä ilma pääsee vaihtumaan luonnollisesti ja esteettömästi, ja missä kaasuvuodot ja palamistuotteet haihtuvat nopeasti tuulen ja luonnollisen ilmankierron mukana.
- Älä käytä tätä lämmitintä, jos siinä on vuotoja tai vaurioita tai jos se ei toimi kunnolla.
- Älä sijoita kemikaaleja, syttyviä materiaaleja tai aerosolisuihkeita tämän lämmittimen lähelle.
- Älä koskaan etsi kaasuvuotoja avoliekin avulla.
- Jos tunnet kaasuhajua:
 - Älä yritä sytyttää tätä lämmitintä.
 - Sammuta kaikki avoliekit.
 - Irrota kaasunsyötöstä.
 - Tarkastuta kaasulaite ammattiliikkeellä.
- Kiinnitä tai irrota kaasupatruuna vain ulkotiloissa kaukana avoliekeistä, sytytysliekeistä tai muista syttymislähteistä ja vain, kun lämmitin tuntuu kosketettaessa kylmältä.
- Tarkista, että tämän lämmittimen ja kaasupatruunan välinen tiiviste on paikallaan ja hyvässä kunnossa, ennen kuin liität kaasupatruunan.
- Älä käytä tätä lämmitintä, jos tiiviste on vaurioitunut tai kulunut.
- Älä käytä lämmitintä suorassa auringonpaisteissa.



HUOMIO! Näiden varoitusten noudattamatta jättäminen voi johtaa vähäiseen tai kohtalaiseen vammaan.

Palovaara

- Jätä lämmittimen sivuille ja taakse vähintään 20 cm väliä kaikkiin rakenteisiin tai esineisiin.
- Jätä lämmittimen eteen vähintään 100 cm tyhjää tilaa.
- Pidä ympäröivä alue puhtaana kaikista palavista materiaaleista ja syttyvistä nesteistä ml. puu, kuivat kasvit ja ruoho, harja, paperi ja kangas.
- Käytä tätä lämmitintä vain tasaisella, tukevalla ja palamattomalla alustalla kuten tiilien, betonin tai maan päällä.
- Älä käytä tätä lämmitintä minkään palavalla tai sulavalla pinnalla kuten puun, asfaltin, vinyylin tai muovin päällä.

- Pidä palavat esineet kaukana polttimesta. Älä käytä lämmitintä vaatteiden tai muiden syttyvien esineiden kuivaamiseen.
- Älä peitä tai tuki lämmitintä millään tuotteella tai esineellä.
- Älä käytä lämmitintä keittimenä tai kaada sitä selälleen
- Älä laita tuliritilän päälle ruokaa.
- Tulipalon sattuessa katkaise kaasunsyöttö.

Palovammojen vaara

- Älä liikuta tätä lämmitintä käytön aikana.
- Käytä suojakäsineitä kun käsittelet kuumia komponentteja.
- Anna tämän lämmittimen jäähtyä kunnolla, ennen kuin kosket siihen paljain käsin.
- Kosketettavat osat voivat olla erittäin kuumia. Pidä pienet lapset loitolla.
- Alkoholin tai käsikauppa- tai reseptilääkkeiden käyttäminen voi heikentää kykyäsi asentaa tämä lämmitin asianmukaisesti tai käyttää sitä turvallisesti.

Terveysvaara

- Käytä tätä lämmitintä vain, jos aikuinen voi olla paikalla.

Nestekaasun käsittelyä koskevat turvatoimet



VAROITUS! Näiden varoitusten noudattamatta jättäminen voi johtaa kuolemaan tai vakavaan vammaan.

- Irrota nestekaasupatruuna aina käytön jälkeen.
- **Älä koskaan** polta tai puhkaise kaasupatruunaa vaikka se olisi tyhjä.
- **Älä koskaan** kiinnitä tai irrota kaasupatruunaa sisätiloissa, huonosti tuuletetuissa paikoissa, muiden ihmisten lähellä, lämmönlähteiden lähellä tai kun laite on vielä lämmin.
- **Älä koskaan** säilytä kaasupatruunoita tuuletettomissa paikoissa tai maan pinnan alapuolella (suppilomaiset kuopat).
- **älä koskaan** säilytä kaasupatruunoita rakennuksissa kuten autotalleissa.
- Säilytä kaasupatruunoita etäällä lämmitys- ja ruuanlaittolaitteista ja muista lämmönlähteistä paikassa, jossa on hyvä ilmanvaihto ja joka on lasten ulottumattomissa.
- Älä säilytä kaasupatruunoita kyljellään.
- Suojaa kaasupatruunat suoralta auringonpaisteelta. Lämpötila ei saa ylittää 50 °C:ta.

- Hävitä kaasupatruunat paikallisviranomaisten määräysten mukaisesti.

Käyttötarkoitus

Kannettava kaasulämmitin Hottie sopii seuraaviin:

- Ulkoaktiviteetit

Kannettava kaasulämmitin Hottie **ei** sovi seuraaviin:

- Sisäkäyttö
- Suljetut tilat

Tämä tuote soveltuu ainoastaan näissä ohjeissa ilmoitettuun käyttötarkoitukseen ja käyttökohteeseen.

Näistä ohjeista saat tuotteenasianmukaiseen asennukseen ja/tai käyttöön tarvittavat tiedot. Väärin tehdyn asennuksen ja/tai väärin käyttötavan tai väärinlaisen huollon seurauksena laite ei toimi tyydyttävästi, ja se saattaa mennä epäkuntoon.

Valmistaja ei ota vastuuta tapaturmista tai tuotevaurioista, jotka johtuvat seuraavista:

- Väärin tehty asennus tai liitäntä, ylijännite mukaan lukien
- Väärin tehty huolto tai muiden kuin valmistajalta saatavien alkuperäisten varaosien käyttö
- Tuotteeseen ilman valmistajan nimenomaista lupaa tehdyt muutokset
- Käyttö muuhun kuin tässä ohjeessa ilmoitettuun tarkoitukseen

Kampa pidättää itsellään oikeuden muutoksiin tuotteen ulkonäössä ja spesifikaatioissa.

Tekninen kuvaus

Tässä kaasulämmittimessä on yksi poltin.

Tämä kaasulämmitin on suunniteltu liitettäväksi Kampa-butaanikaasupatruunaan (tuotenro 9120000991, ei sisällyt toimitukseen) tai muihin P220-patruunoihin, jotka vastaavat standardia EN 417.

Turvalaite

Tässä kaasulämmittimessä on turvalaite, joka katkaisee kaasuvirtauksen, jos patruunan paine nousee liian korkeaksi (esimerkiksi ylikuumentumisen takia).

Jos näin tapahtuu:

1. Poista ylenmääräisen kuumuuden lähde.

2. Anna kaasupatruunan jäähtyä.

3. Nollaa lämmitin.

Osat ja säätimet

Nro kuva 1, sivulla 3	Kuvaus
1	Liekkivahti
2	Keraaminen levy
3	Paneeli
4	Kahva
5	Kaasupatruunavipu
6	Säätönappi
7	Kahvasyvennyks
8	Patruunan kansi
9	Jalat

Lämmittimen käyttäminen



HUOMIO! Palovammojen vaara

- Pidä kädet, kasvot ja hiukset kaukana polttimista.
- Älä käytä löysää vaatetusta tai päästä pitkiä hiuksia roikkumaan vapaasti, kun sytytät tai käytät tätä lämmitintä.
- Pidä lapset ja lemmikkieläimet turvallisen matkan päässä.
- Tarkkaile huolellisesti kaikkea toimintaa tämän lämmittimen lähellä välttääkseen palovammat tai muut vammat.
- Älä liikuta lämmitintä käytön aikana.
- Älä koske lämmittimen kuumiin osiin käytön aikana äläkä sen jälkeen.
- Anna lämmittimen jäähtyä kunnolla ennen kuin laitat sen säilytykseen.
- Irrota nestekaasupatruuna aina käytön jälkeen.

Lämmittimen sijoittaminen

Kun valitset lämmittimelle sijoituspaikkaa, noudata seuraavia ohjeita:

- Sijoita lämmitin ulkotilaan.
- Paikassa pitää olla hyvä ilmanvaihto. Älä laita sitä syvennykseen, jotta kaasua ei pääse kerääntymään siihen.
- Pidä lämmitin suojattuna tuulelta ja suoralta vedolta.
- Poista kaikki palava materiaali lähiympäristöstä.
- Valitse suora, tukeva ja palamaton alusta lämmitin paikaksi.
- Älä koskaan laita lämmitintä syttyvien materiaalien lähelle tai päälle, ei edes jäähtymisvaiheessa. Säilytä vähintään 100 cm:n turvaetäisyys syttyviin materiaaleihin.
- Tuotteen täytyy olla alustalla, joka kestää vähintään 80 °C:n lämpötilan. Kotelo voi kuumentua voimakkaasti käytön aikana.
- Noudata turvallisuusohjeita, katso kap. "Neste-kaasun käsittelyä koskevat turvatoimet" sivulla 75.

Kaasupatruunan asettaminen



VAROITUS! Räjähdyksivaara

Tarkista, että kaasupatruunan tiivisteventtiili on paikallaan ja hyvässä kunnossa, ennen kuin liität kaasupatruunan.

1. Toimi kuvan mukaisesti (kuva **2**, sivulla 3).
2. Älä käytä ylenmääräistä voimaa. Jos patruunavipu ei mene alas, tarkista loven paikka.
3. Jos kuulet sihisevää ääntä, kaasupatruuna ei ole oikein paikallaan. Vapauta patruunan lukitus ja kohdista patruuna uudelleen.

Lämmittimen sytytys ja hallinta



VAROITUS! Terveysvaara

Älä jätä tuotetta ilman valvontaa sen ollessa käytössä.

1. Toimi kuvan mukaisesti (kuva **3**, sivulla 4).
2. Jos poltin ei syty, toista sytytysmenettely.

Kaasupatruunan poistaminen



VAROITUS! Terveysvaara

- Älä kuljeta tai säilytä lämmitintä kaasupatruuna paikallaan.
- Poista kaasupatruuna paikassa, jossa on hyvä ilmanvaihto.
- Varmista, että lähellä ei ole avoliekejä.
- Ota kaasupatruuna pois vain, kun lämmitin on kytketty pois päältä ja se on jäähtynyt.

Patruuna voidaan irrottaa vaikka kaasua olisikin jäljellä.

1. Toimi kuvan mukaisesti (kuva **4**, sivulla 5).
2. Tarkista patruunan sisältö ravistamalla sitä ja kuuntelemalla, kuuluuko nestemäisen kaasun ääntä.
3. Laita suojakorkki takaisin paikalleen ja säilytä kaasupatruunaa viileässä, kuivassa, hyvin tuuletetussa paikassa lasten ulottumattomissa.
4. Tarkista patruunan tiivisteventtiili. Anna pätävän henkilön vaihtaa tiiviste, jos materiaali murenee tai se on haurasta.

Lämmittimen siirtäminen ja säilyttäminen



VAROITUS! Terveysvaara

Älä kuljeta tai säilytä lämmitintä kaasupatruuna paikallaan.

Menettele seuraavasti:

1. Sammuta lämmitin.
2. Anna lämmittimen jäähtyä kokonaan.
3. Ota kaasupatruuna pois lämmittimestä (katso kap. "Kaasupatruunan poistaminen" sivulla 77).
4. Puhdista lämmitin (katso kap. "Puhdistus ja hoito" sivulla 78).
5. Säilytä lämmitintä tasaisessa, tukevassa kuivassa paikassa, jossa se on lasten ulottumattomissa.

Puhdistus ja hoito

Puhdista lämmitin jokaisen käytön jälkeen:

1. Varmista, että tuote on kylmä.
2. Ota kaasupatruuna pois tuotteesta.
3. Pese tuotteen pinnat kuumalla saippuavedellä.
4. Tarkista poltтин säännöllisesti nähdäksesi, että siinä ei ole likaa kuten hyönteisiä. Puhdista se harjalla.

Vianetsintä

Häiriö	Syy	Ratkaisu
Patruunan asentaminen ei onnistu	Säätönuppia ei ole käännetty kokonaan OFF-asentoon	Käännä säätönuppi kokonaan OFF-asentoon ja laita patruuna uudelleen.
	Patruunan asennus ei ole oikein	Varmista, että säätimen kynsi osuu patruunan kauluksessa olevaan loveen.
Ei kaasunsyöttöä MAX-asennossa	Patruunassa ei ole enää kaasua	Vaihda kaasupatruuna.
	Patruunan asennus ei ole oikein	Varmista, että säätimen kynsi osuu patruunan kauluksessa olevaan loveen.
	Turvalaite aktivoitunut	Anna patruunan jäähtyä.
	Säätönupissa on vika	Ota yhteyttä valtuutettuun asentajaan ja korjauta.
	Suutin tukossa	Ota yhteyttä valtuutettuun asentajaan ja korjauta.
Kaasun hajua OFF-asennossa	Patruunan asennus ei ole oikein	Varmista, että säätimen kynsi osuu patruunan kauluksessa olevaan loveen.
	Säätönupissa on vika	Ota yhteyttä valtuutettuun asentajaan ja korjauta.
Heikko liekki	Patruunassa ei ole enää kaasua	Vaihda kaasupatruuna.
	Polttimen reiät tukossa	Puhdista polttimen reiät metalliharjalla.
	Säätönupissa on vika	Ota yhteyttä valtuutettuun asentajaan ja korjauta.
	Suutin tukossa	Ota yhteyttä valtuutettuun asentajaan ja korjauta.
Epätasainen liekki	Patruunassa ei ole enää kaasua	Vaihda kaasupatruuna.
	Polttimen reiät tukossa	Puhdista polttimen reiät metalliharjalla.

Häiriö	Syy	Ratkaisu
Ei sytytystä/sytytys virheellinen	Patruunassa ei ole enää kaasua	Vaihda kaasupatruuna.
	Patruunan asennus ei ole oikein	Varmista, että säätimen kynsi osuu patruunan kauluksessa olevaan loveen.
	Turvalaite aktivoitunut	Anna patruunan jäähtyä.
	Polttimen reiät tukossa	Puhdista polttimen reiät metalliharjalla.
	Elektrodi taipunut tai ruosteessa	Puhdista elektrodi.
	Säätönupissa on vika	Ota yhteyttä valtuutettuun asentajaan ja korjauta.
	Suutin tukossa	Ota yhteyttä valtuutettuun asentajaan ja korjauta.
Sammuminen käytön aikana	Patruunassa ei ole enää kaasua	Vaihda kaasupatruuna.
	Turvalaite aktivoitunut	Anna patruunan jäähtyä.

Takuu

Tuotetta koskee lakisääteinen tuotevastuuuika. Jos tuote on viallinen, ota yhteyttä valmistajan toimipisteeseen omassa maassasi (ks. kampaoutdoors.com/store-locator) tai jälleenmyyjään.

Jos lähetät tuotteen korjattavaksi, liitä korjaus- ja takuukäsittelyä varten mukaan seuraavat asiakirjat:

- Kopio kuitista, jossa näkyy ostopäivä
- Valitusperuste tai vikakuvaus


Hävittäminen

► Vie pakkausmateriaali mahdollisuuksien mukaan vastaavan kierrätysjätteen joukkoon.



Jos poistat tuotteen lopullisesti käytöstä, pyydä tietoa sen hävittämistä koskevista määräyksistä lähimmästä kierrätyskeskuksesta tai ammattiliikkeestäsi.

Tekniset tiedot

	Hottie
Kaasuluokka:	Butaani
Kaasupatruunan tyyppi:	P220
Tuoteluokka:	I _{3B} , suora paine
Sytytys:	Pietso
Polttinpään teho:	2,0 kW
Kaasunkulutus:	145 g/h
Injektorin koko:	0,50 mm
Mitat (K x L x S):	270 x 310 x 160 mm
Paino:	1,78 kg
Hyväksyntä:	

Указания по технике безопасности

Основные указания по технике безопасности



ПРЕДУПРЕЖДЕНИЕ! Несоблюдение этих предупреждений может привести к смерти или серьезной травме.

Опасность взрыва

- Ремонт данного нагревателя разрешается выполнять только квалифицированному персоналу. Если ремонт выполнен неправильно, эксплуатация устройства может представлять опасность.
- Не вносите изменения в нагреватель.
- Не снимайте и не заменяйте какие-либо компоненты этого нагревателя.
- Этот нагреватель должен использоваться только с баллоном с бутаном Kamra (№ изделия 9120000991) или другими баллонами P220, соответствующими стандарту EN 417. Попытка установить другие типы газовых баллонов может представлять опасность.



ОСТОРОЖНО! Несоблюдение этих предостережений может привести к травме легкой или средней степени тяжести.

Опасность возникновения пожара

- Только взрослым разрешается использовать этот нагреватель.
- Не оставляйте этот нагреватель без присмотра, когда он горячий или когда используется.
- Имейте наготове огнетушитель или другие подходящие средства для тушения пламени.

Опасность получения ожогов

- Держите руки, лицо и волосы подальше от горелок.
- Не носите свободную одежду и не позволяйте длинным волосам свободно свисать во время розжига или использования этого нагревателя.
- Не подпускайте детей и домашних животных.
- Внимательно следите за всем, что происходит вокруг этого нагревателя, чтобы избежать ожогов и других травм.

Пожалуйста, внимательно прочтите и соблюдайте все указания, рекомендации и предупреждения, содержащиеся в этом руководстве по использованию изделия, чтобы гарантировать правильную установку, использование и обслуживание изделия. Эта инструкция ДОЛЖНА оставаться вместе с этим изделием.

Используя изделие, вы тем самым подтверждаете, что внимательно прочитали все указания, рекомендации и предупреждения, а также, что вы понимаете и соглашаетесь соблюдать положения и условия, изложенные в настоящем документе. Вы соглашаетесь использовать это изделие только по прямому назначению и в соответствии с указаниями, рекомендациями и предупреждениями, изложенными в данном руководстве по использованию изделия, а также в соответствии со всеми применимыми законами и правилами. Несоблюдение указаний и предупреждений, изложенных в данном документе может привести к травмам вас и других лиц, повреждению вашего изделия или повреждению другого имущества, находящегося поблизости. Данное руководство по использованию изделия, включая указания, рекомендации и предупреждения, а также сопутствующую документацию, может подвергаться изменениям и обновлениям. Актуальную информацию о продукте можно найти на сайте kamraoutdoors.com.

Пояснение к символам



ОПАСНОСТЬ!

Указание по технике безопасности

Указывает на опасную ситуацию, которая, если ее не избежать, приведет к смерти или серьезным травмам.



ПРЕДУПРЕЖДЕНИЕ!

Указание по технике безопасности

Указывает на опасную ситуацию, которая, если ее не избежать, может привести к смерти или серьезным травмам.



ОСТОРОЖНО!

Указание по технике безопасности

Указывает на опасную ситуацию, которая, если ее не избежать, может привести к травмам легкой или средней степени тяжести.

Техника безопасности при работе нагревателя



ОПАСНОСТЬ! Несоблюдение этих указаний ведет к смерти или серьезной травме.

Опасность отравления угарным газом

- Запрещается использовать этот нагреватель в помещении. В процессе сгорания сжиженного газа образуется угарный газ, который накапливается в закрытых помещениях.

Опасность удушья

- Если отсутствует достаточная вентиляция, в результате эксплуатации этого нагревателя возможно возникновение дефицита кислорода.
- Запрещается использовать этот нагреватель в местах с плохой вентиляцией, например в закрытых помещениях, палатках, предпалатках, безрельсовых транспортных средствах, в жилых автомобилях, кемперах, внутри катеров, лодок и яхт, а также в кабинах грузовых автомобилей.
- Используйте устройство только на открытом воздухе.



ПРЕДУПРЕЖДЕНИЕ! Несоблюдение этих предупреждений может привести к смерти или серьезной травме.

Опасность взрыва

- Этот нагреватель должен использоваться только на открытом воздухе над землей с естественной вентиляцией, без застойных зон, там, где утечка газа и продукты сгорания быстро рассеиваются ветром и естественной конвекцией.
- Не используйте этот нагреватель, если он имеет утечки, поврежден или не работает должным образом.
- Не размещайте рядом с нагревателем химикаты, легковоспламеняющиеся материалы или аэрозольные баллончики.
- Запрещается проверять прибор на утечки газа с помощью открытых источников пламени.
- Если чувствуется запах газа:
 - Не пытайтесь зажечь этот нагреватель.
 - Погасите открытый огонь.
 - Отключите от системы газоснабжения.
 - Обратитесь в газовую службу, чтобы проверить систему газоснабжения.

- Присоединяйте или отсоединяйте газовый баллон только на открытом воздухе, вдали от открытого огня, горелки или другого источника воспламенения и только в том случае, если этот нагреватель холодный на ощупь.
- Перед использованием газового баллона убедитесь, что уплотнение между нагревателем и газовым баллоном находится на своем месте и в хорошем состоянии.
- Не используйте этот нагреватель, если уплотнение повреждено или изношено.
- Не используйте нагреватель под прямыми солнечными лучами.



ОСТОРОЖНО! Несоблюдение этих предостережений может привести к травме легкой или средней степени тяжести.

Опасность возникновения пожара

- Оставляйте минимальный зазор не менее 20 см с боковых сторон и задней стороны нагревателя до любых конструкций или предметов.
- Оставляйте минимальный зазор не менее 100 см от передней части нагревателя.
- Удалите из окружающей зоны все горючие материалы и легковоспламеняющиеся жидкости, включая древесину, сухие растения и траву, щетки, бумагу и холст.
- Используйте этот нагреватель только на ровной, устойчивой негорючей поверхности, например, на кирпичачах, бетоне или земле.
- Не используйте этот нагреватель на поверхности, которая может воспламениться или расплавиться, например, древесина, асфальт, винил или пластик.
- Держите вдали от прибора горючие материалы и предметы. Не используйте нагреватель для сушки одежды или других легковоспламеняющихся предметов.
- Не покрывайте и не препятствуйте работе нагревателя какими-либо предметами.
- Не используйте нагреватель в качестве плиты.
- Не размещайте еду на решетке.
- В случае пожара отключите подачу газа.

Опасность получения ожогов

- Не перемешайте этот нагреватель во время использования.
- При обращении с горячими компонентами используйте защитные перчатки.

- Дайте этому нагревателю остыть, прежде чем прикасаться к нему голыми руками.
- Доступные компоненты устройства могут быть очень горячими. Не подпускайте детей.
- Употребление алкоголя, медикаментов, отпускаемых по рецепту или без него, может снизить вашу способность правильно собирать или безопасно использовать этот нагреватель.

Опасность для здоровья

- Эксплуатируйте этот нагреватель только под собственным присмотром.

Меры предосторожности при обращении со сжиженным газом



ПРЕДУПРЕЖДЕНИЕ! Несоблюдение этих предупреждений может привести к смерти или серьезной травме.

- После использования всегда отсоединяйте баллон со сжиженным газом.
- **Запрещается** сжигать и прокалывать газовый баллон, даже если пустой.
- **Запрещается** вставлять и снимать газовый баллон в помещении, в плохо вентилируемых местах, рядом с другими людьми, рядом с источниками тепла или если устройство еще теплое.
- Категорически **запрещается** хранить газовые баллоны в непроветриваемых местах или ниже уровня земли (в воронкообразных земляных углублениях).
- Категорически **запрещается** хранить газовые баллоны в помещениях, например, гаражах.
- Храните газовые баллоны вдали от нагревательных или кухонных приборов и других источников тепла, в хорошо проветриваемом месте, недоступном для детей.
- Не храните газовые баллоны на боку.
- Защитите газовые баллоны от прямых солнечных лучей. Температура не должна превышать 50 °C.
- Утилизируйте газовые баллоны в соответствии с правилами местных органов власти.

Использование по назначению

Переносной газовый нагреватель Hottie подходит для:

- активного отдыха

Переносной газовый нагреватель Hottie **не** подходит для:

- для использования в помещениях
- для использования в замкнутом пространстве

Это изделие подходит только для использования по назначению и применения в соответствии с данной инструкцией.

В данной инструкции содержится информация, необходимая для правильного монтажа и/или эксплуатации изделия. Неправильный монтаж и/или ненадлежащая эксплуатация или техническое обслуживание приводят к неудовлетворительной работе и возможному отказу.

Изготовитель не несет ответственности за какие-либо травмы или повреждение продукта в результате следующих причин:

- Неправильная сборка или подключение, включая повышенное напряжение
- Неправильное техническое обслуживание или использование запасных частей, отличных от оригинальных запасных частей, предоставленных изготовителем
- Изменения в продукте, выполненные без однозначного разрешения изготовителя
- Использование в целях, отличных от указанных в данной инструкции

Компания Камра оставляет за собой право изменять внешний вид и технические характеристики продукта.

Техническое описание

Этот газовый нагреватель имеет одну горелку.

Этот газовый нагреватель предназначен для подключения к баллону с бутаном Камра (№ изделия 9120000991, не входит в комплект поставки) или другим баллоном P220, соответствующим стандарту EN 417.

Предохранительное устройство

Этот газовый нагреватель оснащен предохранительным устройством, которое останавливает поток газа, если давление в баллоне становится слишком высоким (например, из-за перегрева).

Если это случилось:

1. Удалите источник избыточного тепла.
2. Дайте газовому баллону остыть.
3. Выполните сброс нагревателя.

Детали и органы управления

Поз. на рис. 1, стр. 3	Название
1	Защитная решетка
2	Керамическая пластина
3	Панель
4	Ручка
5	Рычаг газового баллона
6	Ручка управления
7	Паз
8	Крышка баллона
9	Ножка

Использование нагревателя



ОСТОРОЖНО! Опасность получения ожогов

- Держите руки, лицо и волосы подальше от горелок.
- Не носите свободную одежду и не позволяйте длинным волосам свободно свисать во время розжига или использования этого нагревателя.
- Не подпускайте детей и домашних животных.
- Внимательно следите за всем, что происходит вокруг этого нагревателя, чтобы избежать ожогов и других травм.
- Не перемещайте нагреватель во время использования.
- Не прикасайтесь к горячим частям нагревателя во время и после использования.
- Перед хранением дайте нагревателю остыть.
- После использования всегда отсоединяйте баллон со сжиженным газом.

Размещение нагревателя

При выборе места для установки этого нагревателя соблюдайте следующие указания:

- Разместите нагреватель на открытом воздухе.
- В месте установки должна иметься хорошая вентиляция. Не располагайте его в углублении, чтобы там не скапливались газы.
- Защищайте нагреватель от ветра и сквозняков.
- Удалите все горючие материалы из окружающей зоны.
- Для установки нагревателя выберите ровную, устойчивую негорючую поверхность.
- Не ставьте нагреватель рядом с легковоспламеняющимися материалами или на них, даже когда оно остыло. Расстояние до легковоспламеняющихся материалов должно быть не менее 100 см.

- Изделие должно стоять на основании, выдерживающем температуру не менее 80 °С. При использовании корпус может сильно нагреваться.
- Соблюдайте также указания по технике безопасности, приведенные в гл. «Меры предосторожности при обращении со сжиженным газом» на стр. 82.

Установка газового баллона



ПРЕДУПРЕЖДЕНИЕ! Опасность взрыва

Перед установкой газового баллона убедитесь, что уплотнение клапана баллона находится на своем месте и в хорошем состоянии.

1. Соблюдайте порядок действий, как показано (рис. **2**, стр. 3).
2. Не применяйте чрезмерное усилие. Если стопорный рычаг баллона не нажимается, проверьте положение канавки.
3. Если вы слышите шипение, то газовый баллон установлен неправильно. Отпустите стопорный рычаг баллона и заново установите баллон.

Розжиг и управление нагревателем



ПРЕДУПРЕЖДЕНИЕ! Опасность для здоровья

Не используйте изделие без присмотра.

1. Соблюдайте порядок действий, как показано (рис. **3**, стр. 4).
2. Если горелка не загорается, повторите процесс розжига.

Демонтаж газового баллона



ПРЕДУПРЕЖДЕНИЕ! Опасность для здоровья

- Не транспортируйте и не храните нагреватель со вставленным газовым баллоном.
- Снимите газовый баллон в хорошо вентилируемом месте.
- Убедитесь, что поблизости нет открытого огня.
- Снимайте газовый баллон только после того, как нагреватель выключен и остыл.

Баллон может быть отсоединен, даже если осталось немного газа.

1. Соблюдайте порядок действий, как показано (рис. **4**, стр. 5).
2. Проверьте содержимое баллон, встряхнув и прислушиваясь к движениям сжиженного газа.
3. Установите на место защитный колпачок и храните газовый баллон в прохладном, сухом, хорошо вентилируемом месте, недоступном для детей.
4. Проверьте уплотнение клапана баллона. Если материал хрупкий или пористый, обратитесь к квалифицированному специалисту, чтобы он заменил уплотнение.

Перемещение и хранение нагревателя



ПРЕДУПРЕЖДЕНИЕ! Опасность для здоровья

Не транспортируйте и не храните нагреватель со вставленным газовым баллоном.

Соблюдайте следующий порядок действий:

1. Выключите нагреватель.
2. Дайте нагревателю полностью остыть.
3. Снимите газовый баллон с нагревателя (см. гл. «Демонтаж газового баллона» на стр. 84).
4. Очистите нагреватель (см. гл. «Очистка и уход» на стр. 85).

5. Храните нагреватель в ровном, устойчивом месте, недоступном для детей.

Очистка и уход

Очищайте нагреватель после каждого использования:

1. Убедитесь, что изделие холодное.
2. Снимите газовый баллон с изделия.
3. Промойте поверхности изделия горячей мыльной водой.
4. Периодически проверяйте горелку, чтобы убедиться, что на ней нет грязи, например, насекомых. Для ее очистки используйте щетку.

Устранение неисправностей

Неисправность	Причина	Устранение
Баллон не может быть установлен	Ручка управления не полностью повернута в положение «ВыКП»	Полностью поверните ручку управления в положение «ВыКП» и повторно установите баллон.
	Неверный монтаж баллона	Убедитесь, что язычок на регуляторе вошел в канавку на воротнике баллона.
Нет подачи газа в положении «МАКС»	В баллоне отсутствует газ	Замените газовый баллон.
	Неверный монтаж баллона	Убедитесь, что язычок на регуляторе вошел в канавку на воротнике баллона.
	Сработало предохранительное устройство	Дайте баллону остыть.
	Неисправность ручки управления	Свяжитесь с уполномоченным техником в целях ремонта.
Запах газа в положении «ВыКП»	Засорена форсунка	Свяжитесь с уполномоченным техником в целях ремонта.
	Неверный монтаж баллона	Убедитесь, что язычок на регуляторе вошел в канавку на воротнике баллона.
	Неисправность ручки управления	Свяжитесь с уполномоченным техником в целях ремонта.

Неисправность	Причина	Устранение
Пламя недостаточного размера	В баллоне отсутствует газ	Замените газовый баллон.
	Засорены отверстия горелки	Используйте металлическую щетку для очистки отверстий горелки.
	Неисправность ручки управления	Свяжитесь с уполномоченным техником в целях ремонта.
	Засорена форсунка	Свяжитесь с уполномоченным техником в целях ремонта.
Неравномерное пламя	В баллоне отсутствует газ	Замените газовый баллон.
	Засорены отверстия горелки	Используйте металлическую щетку для очистки отверстий горелки.
Не выполняется розжиг/неисправность розжига	В баллоне отсутствует газ	Замените газовый баллон.
	Неверный монтаж баллона	Убедитесь, что язычок на регуляторе вошел в канавку на воротнике баллона.
	Сработало предохранительное устройство	Дайте баллону остыть.
	Засорены отверстия горелки	Используйте металлическую щетку для очистки отверстий горелки.
	Изогнутый или ржавый электрод	Очистите электрод.
	Неисправность ручки управления	Свяжитесь с уполномоченным техником в целях ремонта.
Угасание пламени во время работы	В баллоне отсутствует газ	Замените газовый баллон.
	Сработало предохранительное устройство	Дайте баллону остыть.

Гарантия

Действителен установленный законом срок гарантии. Если продукт неисправен, обратитесь в представительство изготовителя в вашей стране (см. kampraoutdoors.com/store-locator) или в торговую организацию.

При обращении по вопросам ремонта или гарантийного обслуживания необходимо также предоставить следующую информацию:

- копию счета с датой покупки
- причину претензии или описание неисправности

Утилизация

- По возможности, выкидывайте упаковочный материал в мусор, подлежащий вторичной переработке.



Если Вы окончательно выводите продукт из эксплуатации, то получите информацию в ближайшем центре по вторичной переработке или в торговой сети о соответствующих предписаниях по утилизации.

Технические характеристики

	Hottie
Категория газа:	Бутан
Тип газового баллона:	R220
Категория продукта:	I _{3B} , прямое давление
Зажигание:	Пьезо
Тепловая мощность горелки:	2,0 кВт
Потребление газа:	145 г/ч
Размер инжектора:	0,50 мм
Размеры (В x Ш x Г):	270 x 310 x 160 мм
Вес:	1,78 кг
Сертификат:	

Prosimy o uważne przeczytanie niniejszej instrukcji i przestrzeganie wszystkich instrukcji, wskazówek i ostrzeżeń zawartych w niniejszej instrukcji produktu. Pozwoli to przez cały czas zapewnić prawidłową instalację, zastosowanie oraz konserwację produktu. Niniejsza instrukcja MUSI przez cały czas pozostawać przy produkcie.

Korzystając z produktu, użytkownik potwierdza uważne przeczytanie wszelkich instrukcji, wskazówek i ostrzeżeń, ich zrozumienie oraz zobowiązuje się przestrzegać zawartych w nich warunków. Użytkownik zobowiązuje się wykorzystywać niniejszy produkt wyłącznie zgodnie z jego przeznaczeniem i zamierzonym zastosowaniem oraz z instrukcjami, wskazówkami i ostrzeżeniami wyszczególnionymi w niniejszej instrukcji produktu, jak również ze wszystkimi mającymi zastosowanie przepisami i regulacjami prawnymi. Nieprzestrzeganie zawartych tu instrukcji i ostrzeżeń może skutkować obrażeniami u użytkownika oraz osób trzecich, uszkodzeniem produktu lub też uszkodzeniem mienia w sąsiedztwie produktu. Zastrzega się możliwość wprowadzania zmian i aktualizacji niniejszej instrukcji produktu, wraz z instrukcjami, wskazówkami i ostrzeżeniami oraz powiązaną dokumentacją. Aktualne informacje dotyczące produktu można zawsze znaleźć na stronie kampaoutdoors.com.

Objaśnienie symboli



NIEBEZPIECZEŃSTWO!

Wskazówka bezpieczeństwa: Wskazuje niebezpieczną sytuację, która – jeśli się jej nie uniknie – prowadzi do śmierci lub poważnych obrażeń.



OSTRZEŻENIE!

Wskazówka bezpieczeństwa: Wskazuje niebezpieczną sytuację, która – jeśli się jej nie uniknie – może prowadzić do śmierci lub poważnych obrażeń.



OSTROŻNIE!

Wskazówka bezpieczeństwa: Wskazuje niebezpieczną sytuację, która – jeśli się jej nie uniknie – może prowadzić do lekkich lub umiarkowanych obrażeń.

Wskazówki bezpieczeństwa

Podstawowe zasady bezpieczeństwa



OSTRZEŻENIE! Nieprzestrzeganie tych ostrzeżeń może prowadzić do śmierci lub ciężkich obrażeń.

Ryzyko wybuchu

- Napraw piecyka mogą dokonywać tylko odpowiednio wykwalifikowane osoby. Nieodpowiednio wykonane naprawy mogą być przyczyną poważnych zagrożeń.
- Nie wprowadzać modyfikacji w piecyku.

- Nie demontować ani nie wymieniać żadnych elementów piecyka.
- Ten piecyk jest przeznaczony tylko do użytkowania z kartuszami z butanem firmy Kampa (nr katalogowy 9120000991) lub innymi kartuszami P220 zgodnymi z normą EN 417. Próba przyłączenia innych typów pojemników z gazem może być niebezpieczna.



OSTROŻNIE! Nieprzestrzeganie tych uwag może prowadzić do lekkich lub umiarkowanych obrażeń.

Ryzyko pożaru

- Piecyk może być obsługiwany wyłącznie przez osoby dorosłe.
- Nie pozostawiać gorącego lub pracującego piecyka bez nadzoru.
- Trzymać w pogotowiu gaśnicę lub inne środki odpowiednie do ugaszenia płomienia.

Ryzyko poparzenia

- Nie zbliżać dłoni, twarzy ani włosów do palników.
- Nie nosić luźnej odzieży ani niezwiązanych długich włosów podczas zapalania lub korzystania z piecyka.
- Trzymać dzieci i zwierzęta w bezpiecznej odległości.
- Zachować ostrożność podczas wykonywania wszelkich czynności przy piecyku, aby uniknąć oparzeń i innych obrażeń.

Bezpieczeństwo podczas korzystania z piecyka



NIEBEZPIECZEŃSTWO! Nieprzestrzeganie tych instrukcji może prowadzić do śmierci lub ciężkich obrażeń.

Ryzyko zatrucia tlenkiem węgla

- Nigdy nie używać piecyka w zamkniętych pomieszczeniach. Podczas spalania płynnego gazu powstaje tlenek węgla, który gromadzi się w zamkniętych przestrzeniach.

Ryzyko uduszenia

- Używanie piecyka w niewentylowanym obszarze prowadzi do redukcji ilości tlenu na danym obszarze.

- Nie używać piecyka w obszarach bez wentylacji, takich jak zamknięte pomieszczenia, namioty, przedsiönki, pojazdy silnikowe, kampery, przy-czepy kempingowe ani pod pokładem statków, jachtów, łodzi albo też w kabinach pojazdów ciężarowych.
- Stosować tylko na wolnym powietrzu.



OSTRZEŻENIE! Nieprzestrzeganie tych ostrzeżeń może prowadzić do śmierci lub ciężkich obrażeń.

Ryzyko wybuchu

- Piecyk może być stosowany wyłącznie na wolnym powietrzu w miejscach ponad powierzchnią ziemi o swobodnym przepływie powietrza, w których zapewniona jest naturalna wentylacja i w których ewentualne wycieki gazu oraz produkty spalania mogą być szybko rozpra-szane przez wiatr i naturalną konwekcję.
- Nie używać piecyka, jeśli jest on nieszczelny, uszkodzony lub nie działa prawidłowo.
- Nie umieszczać w pobliżu piecyka chemikaliów, materiałów łatwopalnych ani pojemników aero-zolowych.
- Nigdy nie odszukiwać ew. wycieków gazu za pomocą otwartego płomienia.
- W przypadku pojawienia się zapachu gazu należy postępować zgodnie z poniższymi wska-zówkami:
 - Nie próbować zapalać piecyka.
 - Zgasić wszelkie nieosłonięte płomienie.
 - Odtąć zasilanie gazem.
 - Zlecić kontrolę instalacji gazowej specjal-i-stycznej firmie.
- Kartusz gazowy przyłączać i odtępcać wyłącznie na zewnątrz, z dala od otwartych płomieni, pło-mieni pilotowych lub innych źródeł zapłonu i tylko wtedy, gdy piecyk jest chłodny w dotyku.
- Przed zastosowaniem kartusza gazowego sprawdzić prawidłowe umieszczenie i stan uszczelki pomiędzy piecykiem a kartuszem gazowym.
- Nie używać piecyka z uszkodzoną lub zuży-tą uszczelką.
- Nie używać piecyka w miejscu, w którym byłby on wystawiony na bezpośrednie promieniowa-nie słoneczne.



OSTROŻNIE! Nieprzestrzeganie tych uwag może prowadzić do lekkich lub umiarkowanych obrażeń.

Ryzyko pożaru

- Zachować odległość co najmniej 20 cm od jakichkolwiek elementów konstrukcyjnych i przedmiotów po bokach i z tyłu piecyka.
- Zachować odległość co najmniej 100 cm z przodu piecyka.
- W otoczeniu nie mogą znajdować się żadne palne materiały ani łatwopalne ciecze, w szczególności drewno, suche rośliny i trawa, chrust, papier ani tkaniny.
- Piecyka używać wyłącznie na równej, stabilnej, niepalnej powierzchni, takiej jak cegły, beton lub ziemia.
- Nie używać piecyka na powierzchniach, które mogą się zapalić lub stopić, takich jak drewno, asfalt, PCV lub plastik.
- Łatwopalne przedmioty trzymać z dala od palnika. Nie używać piecyka do suszenia tkanin lub innych łatwopalnych przedmiotów.
- Nie przykrywać ani nie zasłaniać piecyka żadnymi przedmiotami.
- Nie używać piecyka jako kuchenki ani nie kłaść go na tylnej ścianie.
- Nie umieszczać żywności na kracie palnika.
- W przypadku pożaru odciąć dopływ gazu.

Ryzyko poparzenia

- Nie przemieszczać piecyka w trakcie jego dzia-łania.
- Podczas obchodzenia się z gorącymi elemen-tami nosić rękawice ochronne.
- Przed dotknięciem piecyka gołymi rękami pozo-stawić go do ostygnięcia.
- Dostępne części urządzenia mogą być bardzo gorące. Trzymać dzieci z dala od urządzenia.
- Spożywanie alkoholu lub zażywanie leków – dostępnych na receptę lub bez niej – może upo-śledzać zdolność do właściwego montażu i bezpiecznej obsługi piecyka.

Zagrożenie zdrowia

- Z piecyka korzystać wyłącznie, gdy zapewniony jest nadzór osoby dorosłej.

Środki ostrożności przy obchodzeniu się z gazem płynnym



OSTRZEŻENIE! Nieprzestrzeganie tych ostrzeżeń może prowadzić do śmierci lub ciężkich obrażeń.

- Po zakończeniu użytkowania zawsze odłączając kartusz z gazem płynnym.
- **Nigdy** nie wrzucać kartusza gazowego do ognia ani nie przebijając go, nawet jeśli jest on pusty.
- **Nigdy** nie umieszczać ani nie wyjmować kartusza gazowego w zamkniętych pomieszczeniach, w niedostatecznie wentylowanych obszarach, w pobliżu innych osób, w pobliżu źródeł ciepła lub gdy urządzenie jest jeszcze ciepłe.
- **Nigdy** nie przechowywać kartuszy gazowych w niewentylowanych miejscach lub pod poziomem podłoga (w stożkowych zagłębieniach).
- **Nigdy** nie przechowywać kartuszy gazowych w budynkach, takich jak garaże.
- Kartusze gazowe należy przechowywać z dala od urządzeń grzewczych lub do gotowania oraz źródeł ciepła, w dobrze wentylowanym miejscu, niedostępnym dla dzieci.
- Nie przechowywać kartuszy gazowych leżących na boku.
- Chronić kartusze gazowe przed bezpośrednim światłem słonecznym. Temperatura nie powinna przekraczać 50°C.
- Użytkować kartusze gazowe zgodnie z lokalnymi przepisami.

Użytkowanie zgodne z przeznaczeniem

Przenośny piecyk Hottie nadaje się do:

- Zastosowania na wolnym powietrzu

Przenośny piecyk gazowy Hottie **nie** nadaje się do:

- Użytku wewnątrz pomieszczeń
- Zamkniętych przestrzeni

Niniejszy produkt jest przystosowany wyłącznie do wykorzystywania zgodnie z jego przeznaczeniem oraz zamierzonym zastosowaniem według niniejszej instrukcji.

Niniejsza instrukcja zawiera informacje, które są niezbędne do prawidłowego montażu i/lub obsługi produktu. Nieprawidłowy montaż i/lub niewłaściwa obsługa lub konserwacja powodują niezadowolające działanie i mogą prowadzić do uszkodzeń.

Producent nie ponosi żadnej odpowiedzialności za ewentualne obrażenia lub uszkodzenia produktu wynikłe z następujących przyczyn:

- Nieprawidłowy montaż lub podłączenie, w tym zbyt wysokie napięcie
- Niewłaściwa konserwacja lub użycie innych części zamiennych niż oryginalne części zamienne dostarczone przez producenta
- Wprowadzanie zmian w produkcie bez wyrażonej zgody producenta
- Użytkowanie w celach innych niż opisane w niniejszej instrukcji obsługi

Firma Kampa zastrzega sobie prawo do zmiany wyglądu i specyfikacji produktu.

Opis techniczny

Piecyk wyposażony jest w jeden palnik.

Piecyk jest przeznaczony do zasilania z kartuszy z butanem firmy Kampa (nr katalogowy 9120000991, niedostarczanych w zestawie) lub innych kartuszy P220 zgodnych z normą EN 417.

Urządzenie zabezpieczające

Piecyk gazowy jest wyposażony w urządzenie zabezpieczające, które zatrzymuje przepływ gazu, jeśli ciśnienie w kartuszu jest zbyt wysokie (na przykład z powodu przegrzania).

Jeśli zaistnieje taka sytuacja:

1. Usunąć źródło nadmiernej ilości ciepła.
2. Odczekać, aż kartusz gazowy ostygnie.
3. Ponownie włączyć piecyk.

Części i elementy sterujące

Poz. na rys. 1 , strona 3	Oznaczenie
1	Osłona palnika
2	Płyta ceramiczna
3	Panel
4	Uchwyt do przenoszenia
5	Dźwignia kartusza gazowego
6	Pokrętko do regulacji
7	Wgłębienie do chwytania
8	Pokrywa kartusza
9	Nóżki

Korzystanie z piecyka



OSTROŻNIE! Ryzyko poparzenia

- Nie zbliżać dłoni, twarzy ani włosów do palników.
- Nie nosić luźnej odzieży ani niezwiązanych długich włosów podczas zapalania lub korzystania z piecyka.
- Trzymać dzieci i zwierzęta w bezpiecznej odległości.
- Zachować ostrożność podczas wykonywania wszelkich czynności przy piecyku, aby uniknąć oparzeń i innych obrażeń.
- Nie przemieszczać piecyka w trakcie jego działania.
- Nie dotykać gorących części piecyka w trakcie i po zakończeniu jego użytkowania.
- Pozostawić piecyk do całkowitego ostygnięcia przed odstawieniem go do przechowywania.
- Po zakończeniu użytkowania zawsze odłączać kartusz z gazem płynnym.

Umieszczanie piecyka

Przy wyborze miejsca ustawienia piecyka należy przestrzegać następujących zaleceń:

- Ustawić piecyk na wolnym powietrzu.
- Miejsce ustawienia musi być dobrze wentylowane. Nie umieszczać produktu w zagłębieniach, aby zapobiec gromadzeniu się w nich gazów.
- Chronić piecyk przed wiatrem i przeciągami.
- Usunąć wszelkie palne materiały z otoczenia.
- Do ustawienia piecyka wybrać równą, stabilną, niepalną powierzchnię.
- Nigdy nie umieszczać piecyka w pobliżu materiałów łatwopalnych lub na nich, nawet podczas jego stygnięcia. Zachować odległość co najmniej 100 cm od materiałów łatwopalnych.
- Produkt musi stać na podłożu, które może wytrzymać temperaturę co najmniej 80°C. Podczas jego użytkowania obudowa może się bardzo nagrzewać.
- Przestrzegać wskazówek bezpieczeństwa, patrz rozdz. „Środki ostrożności przy obchodzeniu się z gazem płynnym” na stronie 90.

Umieszczanie kartusza gazowego



OSTRZEŻENIE! Ryzyko wybuchu

Przed włożeniem kartusza gazowego sprawdzić prawidłowe umieszczenie i stan jego zaworu uszczelniającego.

1. Postępować w zilustrowany sposób (rys. **2**, strona 3).
2. Nie używać nadmiernej siły. Jeśli dźwignia blokady kartusza nie daje się przesunąć w dół, sprawdzić położenie nacięcia.
3. Jeśli słychać syczący dźwięk, oznacza to, że kartusz gazowy nie został prawidłowo umieszczony. Zwolnić dźwignię blokady kartusza i ponownie umieścić go.

Zapalanie i regulacja palnika



OSTRZEŻENIE! Zagrożenie zdrowia

Nie pozostawiać pracującego produktu bez nadzoru.

1. Postępować w zilustrowany sposób (rys. 3, strona 4).
2. Jeśli palnik nie zapali się, powtórzyć procedurę zapalania.

Wymowanie kartusza gazowego



OSTRZEŻENIE! Zagrożenie zdrowia

- Nie transportować ani nie przechowywać piecyka z włożonym kartuszem gazowym.
- Kartusz gazowy wyjmować w dobrze wentylowanym miejscu.
- Upewnić się, że w pobliżu nie ma otwartego ognia.
- Kartusz gazowy odłączać dopiero po wyłączeniu i ostygnięciu piecyka.

Kartusz można odłączyć, nawet jeśli pozostaje w nim jeszcze gaz.

1. Postępować w zilustrowany sposób (rys. 4, strona 5).
2. Sprawdzić zawartość kartusza poprzez wstrząsanie nim i nasłuchiwanie odgłosów płynnego gazu.
3. Nałożyć kapturek ochronny i przechowywać kartusz z gazem w chłodnym, suchym, dobrze wentylowanym miejscu, niedostępnym dla dzieci.
4. Sprawdzić zawór uszczelniający kartusza. Jeśli jej materiał jest kruchy lub porowaty, należy zlecić wymianę uszczelki wykwalifikowanej osobie.

Przemieszczanie i przechowywanie piecyka



OSTRZEŻENIE! Zagrożenie zdrowia

Nie transportować ani nie przechowywać piecyka z włożonym kartuszem gazowym.

Postępować następująco:

1. Wyłączyć piecyk.
2. Pozostawić piecyk do całkowitego ostygnięcia.
3. Wyjąć kartusz gazowy z piecyka (patrz rozdz. „Wymowanie kartusza gazowego” na stronie 92).
4. Wyczyścić piecyk (patrz rozdz. „Czyszczenie i konserwacja” na stronie 92).
5. Przechowywać piecyk na równym, stabilnym i suchym podłożu, w miejscu niedostępnym dla dzieci.

Czyszczenie i konserwacja

Czyścić piecyk po każdym użyciu:

1. Upewnić się, że produkt ostygł.
2. Wyjąć kartusz gazowy z produktu.
3. Umyć powierzchnie produktu gorącą wodą z mydłem.
4. Okresowo sprawdzać palnik pod kątem obecności zanieczyszczeń, takich jak owady. Do czyszczenia użyć szczotki.

Usuwanie usterek

Usterka	Przyczyna	Rozwiązanie
Nie można włożyć kartusza	Pokrętło do regulacji nie jest całkowicie obrócone do położenia OFF	Obrócić pokrętło do regulacji całkowicie do położenia OFF i ponownie umieścić kartusz.
	Nieprawidłowo umieszczony kartusz	Upewnić się, że języczek reduktora umieszczony jest w nacięciu kołnierza kartusza.

Usterka	Przyczyna	Rozwiązanie
Brak zasilania gazem w położeniu MAX	Brak gazu w kartuszu	Wymienić kartusz gazowy.
	Nieprawidłowo umieszczony kartusz	Upewnić się, że języczek reduktora umieszczony jest w nacięciu kołnierza kartusza.
	Zadziałał zawór bezpieczeństwa	Odczekać, aż kartusz ostygnie.
	Uszkodzone pokrętko do regulacji	Skontaktować się z autoryzowanym technikiem w celu dokonania naprawy.
	Zatkana dysza	Skontaktować się z autoryzowanym technikiem w celu dokonania naprawy.
Zapach gazu w położeniu OFF	Nieprawidłowo umieszczony kartusz	Upewnić się, że języczek reduktora umieszczony jest w nacięciu kołnierza kartusza.
	Uszkodzone pokrętko do regulacji	Skontaktować się z autoryzowanym technikiem w celu dokonania naprawy.
Słaby płomień	Brak gazu w kartuszu	Wymienić kartusz gazowy.
	Zatkane otwory palnika	Wyczyścić otwory palnika za pomocą metalowej szczotki.
	Uszkodzone pokrętko do regulacji	Skontaktować się z autoryzowanym technikiem w celu dokonania naprawy.
	Zatkana dysza	Skontaktować się z autoryzowanym technikiem w celu dokonania naprawy.
Nierównomierny płomień	Brak gazu w kartuszu	Wymienić kartusz gazowy.
	Zatkane otwory palnika	Wyczyścić otwory palnika za pomocą metalowej szczotki.
Zapłon nie działa lub działa nieprawidłowo	Brak gazu w kartuszu	Wymienić kartusz gazowy.
	Nieprawidłowo umieszczony kartusz	Upewnić się, że języczek reduktora umieszczony jest w nacięciu kołnierza kartusza.
	Zadziałało urządzenie zabezpieczające	Odczekać, aż kartusz ostygnie.
	Zatkane otwory palnika	Wyczyścić otwory palnika za pomocą metalowej szczotki.
	Zgięta lub zardzewiała elektroda	Wyczyścić elektrodę.
	Uszkodzone pokrętko do regulacji	Skontaktować się z autoryzowanym technikiem w celu dokonania naprawy.
	Zatkana dysza	Skontaktować się z autoryzowanym technikiem w celu dokonania naprawy.

Usterka	Przyczyna	Rozwiązanie
Płomień gaśnie w trakcie pracy	Brak gazu w kartuszu	Wymienić kartusz gazowy.
	Zadziałało urządzenie zabezpieczające	Odczekać, aż kartusz ostygnie.

Gwarancja

Obowiązuje ustawowy okres gwarancji. W przypadku stwierdzenia uszkodzenia produktu należy zgłosić się do oddziału producenta w danym kraju (patrz kampaoutdoors.com/store-locator) lub do sprzedawcy.

W celu naprawy lub rozpatrzenia gwarancji konieczne jest przesłanie następujących dokumentów:

- Kopii rachunku z datą zakupu
- Informacji o przyczynie reklamacji lub opisu wady

Utylizacja

► Opakowanie należy wyrzucić do odpowiedniego pojemnika na śmieci do recyklingu.



Jeżeli produkt nie będzie dłużej eksploatowany, koniecznie dowiedz się w najbliższym zakładzie recyklingu lub w specjalistycznym sklepie, jakie są aktualnie obowiązujące przepisy dotyczące utylizacji.

Dane techniczne

	Hottie
Kategoria gazu:	Butan
Typ kartusza gazowego:	P220
Kategoria produktu:	I _{3B} , ciśnienie bezpośrodkowe
Zapłon:	Piezoelektryczny
Obciążenie cieplne palnika:	2,0 kW
Zużycie gazu:	145 g/h
Rozmiar dyszy:	0,50 mm
Wymiary (wys. x szer. x gł.):	270 x 310 x 160 mm
Masa:	1,78 kg
Atest:	

Dôkladne si prečítajte tento návod a dodržiavajte všetky pokyny, usmernenia a varovania uvedené v tomto návode k výrobku, aby bolo zaručené, že výrobok bude vždy správne nainštalovaný, používaný a udržiavaný. Tento návod MUSÍ zostať priložený k výrobku.

Používaním tohto výrobku týmto potvrdzujete, že ste si dôkladne prečítali všetky pokyny, usmernenia a varovania a že rozumiete a súhlasíte s dodržiavaním všetkých uvedených podmienok. Súhlasíte, že tento výrobok budete používať iba v súlade s určeným použitím a v súlade s pokynmi, usmerneniami a varovaniami uvedenými v tomto návode k výrobku, ako aj v súlade so všetkými platnými zákonmi a nariadeniami. V prípade, že si neprečítate a nebudete sa riadiť pokynmi a varovaniami uvedenými v tomto návode, môže mať za následok vaše poranenie alebo poranenie iných osôb, poškodenie vášho výrobku alebo poškodenie majetku v jeho blízkosti. Tento návod na obsluhu výrobku vrátane pokynov, usmernení a varovaní, a súvisiaca dokumentácia môže podliehať zmenám a aktualizáciám. Najaktuálnejšie informácie o výrobku nájdete na adrese kampaoutdoors.com.

Vysvetlenie symbolov



NEBZPEČENSTVO!

Bezpečnostný pokyn: Označuje nebezpečnú situáciu, ktorej následkom je smrť alebo vážne zranenie, ak sa jej nezabráni.



VÝSTRAHA!

Bezpečnostný pokyn: Označuje nebezpečnú situáciu, ktorej následkom môže byť smrť alebo vážne zranenie, ak sa jej nezabráni.



UPOZORNENIE!

Bezpečnostný pokyn: Označuje nebezpečnú situáciu, ktorej následkom môže byť malé alebo stredne ťažké zranenie, ak sa jej nezabráni.

Bezpečnostné pokyny

Základy bezpečnosti



VÝSTRAHA! Nedodržanie týchto varovaní môže mať za následok smrť alebo vážne poranenie.

Nebezpečenstvo výbuchu

- Opravy tohto ohrievača smú vykonávať len kvalifikovaní odborníci. Neodborné opravy predstavujú riziko vážnych nebezpečenstiev.
- Tento ohrievač nepozmeňujte ani neupravujte.
- Nepokúšajte sa odstrániť alebo vymeniť žiadnu súčasť tohto ohrievača.

- Tento ohrievač sa smie používať iba s kartušou s butánovým plynom Kampa (č. výr. 9120000991) alebo inými kartušami P220, ktoré vyhovujú norme EN 417. Nepokúšajte sa pripojiť iné typy plynových kartuší, môže to byť nebezpečné.



UPOZORNENIE! Nedodržanie týchto upozornení môže mať za následok drobné alebo stredne ťažké poranenie.

Nebezpečenstvo požiaru

- Tento ohrievač smú používať iba dospelé osoby.
- Tento ohrievač nenechávajte bez dozoru, keď sa používa.
- Majte pripravený hasiaci prístroj alebo iné prostriedky vhodné na hasenie plameňa.

Nebezpečenstvo popálenia

- Nepribližujte sa rukami, tvárou a vlasmi k horáku.
- Nenoste voľný odev alebo si zopnite dlhé vlasy, keď zapalujete horák alebo používate tento ohrievač.
- Nedovoľte deťom a domácim miláčikom, aby sa priblížili k výrobku.
- Starostlivo sledujte činnosti a prostredie okolo ohrievača, aby ste predišli popáleninám alebo iným poraneniam.

Bezpečnosť pri používaní ohrievača



NEBZPEČENSTVO! Nedodržanie týchto pokynov bude mať za následok smrť alebo vážne poranenie.

Nebezpečenstvo otravy oxidom uhoľnatým

- Tento ohrievač nikdy nepoužívajte v interiéri. Pri procese spaľovania skvapalneného plynu vzniká oxid uhoľnatý, ktorý sa hromadí v uzavretom priestore.

Nebezpečenstvo udusenía

- Používanie tohto ohrievača v nevetranom priestore vedie k nedostatku kyslíka v tomto priestore.
- Nepoužívajte tento ohrievač v nevetraných priestoroch, ako sú uzavreté miestnosti, stany, prístrešky, motorové vozidlá, obytné vozidlá, karavany, lode, jachty, člny a kabíny nákladných vozidiel/kamiónov.
- Používajte iba vonku.



VÝSTRAHA! Nedodržanie týchto varovaní môže mať za následok smrť alebo vážne poranenie.

Nebezpečenstvo výbuchu

- Tento ohrievač sa smie používať iba na otvorenom priestranstve nad zemou, s prirodzeným vetraním, bez oblastí, kde by dochádzalo k hromadeniu, a tam kde unikajúci plyn a produkty horenia môžu byť rýchlo rozptýlené vetrom a prirodzeným prúdením.
- Nepoužívajte tento ohrievač, ak netesní, je poškodené alebo nefunguje správne.
- Neskladujte chemikálie, horľavé materiály alebo spreje v blízkosti tohto ohrievača.
- Nikdy nekontrolujte únik plynu pomocou otvoreného plameňa.
- Ak zacítite zápach plynu:
 - Nepokúšajte sa zapáliť tento ohrievač.
 - Zahaste všetky otvorené plamene.
 - Výrobok odpojte od prívodu plynu.
 - Plynovú sústavu nechajte skontrolovať odborníkom.
- Plynovú kartušu pripájajte alebo odpájajte v exteriéri mimo dosahu otvoreného plameňa, pilotného plameňa alebo iných zápalných zdrojov a iba vtedy, keď je ohrievač chladný na dotyk.
- Skontrolujte, či tesnenia medzi týmto ohrievačom a plynovou kartušou sú na svojom mieste a v dobrom stave, skôr než pripojíte plynovú kartušu.
- Nepoužívajte tento ohrievač, ak je tesnenie poškodené alebo opotrebované.
- Nepoužívajte ohrievač na priamo slnečnom svetle.



UPOZORNENIE! Nedodržanie týchto upozornení môže mať za následok drobné alebo stredne ťažké poranenie.

Nebezpečenstvo požiaru

- Dodržte minimálnu vzdialenosť najmenej 20 cm z bočnej a zo zadnej strany ohrievača k akejkoľvek konštrukcii alebo predmetom.
- Dodržte minimálnu vzdialenosť najmenej 100 cm z prednej strany ohrievača.
- V blízkosti ohrievača neskladujte žiadny horľavý materiál alebo horľavé kvapaliny vrátane dreva, suchých rastlín a trávy, štetcov, papiera a plátna.

- Ohrievač používajte iba na rovnom, stabilnom a nehorľavom povrchu ako tehly, betón alebo zem.
- Nepoužívajte ohrievač na povrchu, ktorý horí alebo sa topí, napríklad drevo, asfalt, vinyl alebo plast.
- Horľavé predmety neskladujte v blízkosti horáka. Nepoužívajte horák na sušenie odevov alebo iných horľavých predmetov.
- Nezakrývajte ani neblokujte ohrievač inými výrobkami alebo predmetmi.
- Nepoužívajte ohrievač ako varič ani ho nekladte naležato.
- Neukladajte žiadne potraviny na mriežku ohrievača.
- V prípade požiaru vypnite prívod plynu.

Nebezpečenstvo popálenia

- Tento ohrievač nepremiestňujte, ak sa používa.
- Pri manipulácii s horúcimi súčasťami používajte ochranné rukavice.
- Nechajte tento ohrievač dostatočne vychladnúť, skôr než sa ho dotknete holými rukami.
- Prístupné časti a diely môžu byť veľmi horúce. Nedovoľte deťom, aby sa priblížili.
- Požitie alkoholu alebo liekov na predpis či voľne predajných liekov môže ovplyvniť vašu schopnosť správnej montáže alebo bezpečného používania tohto ohrievača.

Nebezpečenstvo ohrozenia zdravia

- Tento ohrievač používajte iba v prítomnosti dospelého osoby.

Bezpečnostné preventívne opatrenia pri manipulácii so skvapalneným plynom



VÝSTRAHA! Nedodržanie týchto varovaní môže mať za následok smrť alebo vážne poranenie.

- Po použití vždy odpojte kartušu so skvapalneným plynom.
- **Nikdy** nehádzte plynovú kartušu do ohňa ani ju neprepichujte, dokonca aj keď je prázdna.
- **Nikdy** nekladajte ani nevyberajte plynovú kartušu v interiéri, v nedostatočne vetraných priestoroch, v blízkosti iných ľudí, v blízkosti zdrojov tepla alebo ak je spotrebič stále horúci.
- Plynové kartuše **nikdy** neuchovávajte na nevetraných miestach alebo pod úrovňou podlahy (lievikovité priehlbne v zemi).

- Plynové kartuše **nikdy** neskladujte v priestoroch, ako sú napríklad garáže.
- Plynové kartuše skladujte mimo dosahu spotrebičov na ohrievanie, kúrenie a varenie a iných zdrojov svetla alebo tepla, na dobre vetranom mieste a mimo dosahu detí.
- Plynové kartuše nikdy neskladujte poležiačky.
- Plynové kartuše chráňte pred priamym slnečným žiarením. Teplota nesmie presiahnuť 50 °C.
- Plynové kartuše zlikvidujte v súlade s predpismi miestneho úradu.

Používanie v súlade s určením

Preносný plynový ohrievač Hottie je vhodný na:

- outdoorové aktivity

Preносný plynový ohrievač Hottie **nie je** vhodný na:

- na použitie v interiéri
- na použitie v uzavretých priestoroch

Tento výrobok je vhodný iba na použitie na určený účel a použitie v súlade s týmto návodom.

Tento návod obsahuje informácie, ktoré sú nevyhnutné pre správnu inštaláciu a/alebo obsluhu výrobku. Chybná inštalácia a/alebo nesprávna obsluha či údržba bude mať za následok neuspokojivý výkon a možnú poruchu.

Výrobca nenesie žiadnu zodpovednosť za akékoľvek poranenia či škody na výrobku spôsobené:

- nesprávnou montážou alebo pripojením vrátane nadmerného napätia
- nesprávnou údržbou alebo použitím iných ako originálnych náhradných dielov poskytnutých výrobcom
- Zmeny produktu bez výslovného povolenia výrobcu
- Použitie na iné účely než na účely opísané v návode

Firma Kampa si vyhradzuje právo na zmenu vzhľadu a technických parametrov výrobku.

Technický opis

Tento plynový ohrievač disponuje jedným horákom.

Tento plynový ohrievač je určený na pripojenie k plynovej kartuši s butánovým plynom Kampa (č. výr. 9120000991, nie je súčasťou dodávky) alebo iným kartušiam P220, ktoré vyhovujú norme EN 417.

Bezpečnostná poistka

Tento plynový ohrievač je vybavený bezpečnostnou poistkou, ktorá zastaví prietok plynu, ak je tlak v kartuši príliš vysoký (napríklad následkom prehriatia).

Ak k tomu dôjde:

1. Odstráňte zdroj nadmerného tepla.
2. Nechajte plynovú kartušu vychladnúť.
3. Reštartujte ohrievač.

Časti a ovládacie prvky

Č. na obr. 1, strane 3	Označenie
1	Ochranný kryt
2	Keramická platňa
3	Panel
4	Rukoväť
5	Páčka plynovej kartuše
6	Ovládacie tlačidlo
7	Výrez na uchopenie
8	Kryt kartuše
9	Nožičky

Používanie tohto ohrievača



UPOZORNENIE! Nebezpečenstvo popálenia

- Nepribližujte sa rukami, tvárou a vlasmi k horáku.
- Nenoste voľný odev alebo si zopnite dlhé vlasy, keď zapalujete horák alebo používate tento ohrievač.
- Nedovoľte deťom a domácim miláčikom, aby sa priblížili k výrobku.
- Starostlivo sledujte činnosti a prostredie okolo ohrievača, aby ste predišli popáleninám alebo iným poraneniam.
- Ohrievač nepremiestňujte, ak sa používa.
- Nedotýkajte sa horúcich častí ohrievača počas používania a po jeho použití.
- Pred uskladnením nechajte ohrievač riadne vychladnúť.
- Po použití vždy odpojte kartušu so skvapalneným plynom.

Umiestnenie ohrievača

Pri výbere miesta postavenia tohto ohrievača sa riadte nasledujúcimi pokynmi:

- Ohrievač umiestnite v exteriéri.
- Miesto musí byť dobre vetrané. Neumiestňujte ho do priehlbiny, aby ste predišli hromadeniu plynu.
- Ohrievač chráňte pred vetrom a prievanom.
- Odstráňte všetok horľavý materiál v blízkosti.
- Na umiestnenie ohrievača zvolte rovný, stabilný a nehorľavý povrch.
- Ohrievač nikdy neumiestňujte v blízkosti horľavých materiálov, dokonca ani keď chladne. Dodržte minimálnu vzdialenosť 100 cm od horľavých materiálov.
- Výrobok musí byť umiestnený na podklade, ktorý odolá teplotám najmenej 80 °C. Teleso grilu sa pri používaní môže veľmi zohriať.
- Dodržujte bezpečnostné pokyny, pozri kap. „Bezpečnostné preventívne opatrenia pri manipulácii so skvapalneným plynom“ na strane 96.

Vloženie plynovej kartuše



VÝSTRAHA! Nebezpečenstvo výbuchu

Skontrolujte, či tesniaci ventil kartuše je na svojom mieste a v dobrom stave, skôr než vložíte plynovú kartušu.

1. Postupujte podľa obrázka (obr. **2**, strane 3).
2. Nevyvíjajte nadmernú silu. Ak sa poistná páčka kartuše nedá zatlačiť nadol, skontrolujte polohu výrezu.
3. Ak počujete syčanie, plynová kartuša nebola správne vložená. Pusťte poistnú páčku kartuše a kartušu opätovne vložte.

Zapálenie a ovládanie ohrievača



VÝSTRAHA! Nebezpečenstvo ohrozenia zdravia

Výrobok nenechávajte bez dozoru, keď sa používa.

1. Postupujte podľa obrázka (obr. **3**, strane 4).
2. Pokiaľ sa horák nezapáli, zopakujte zapalovanie.

Vybratie plynovej kartuše



VÝSTRAHA! Nebezpečenstvo ohrozenia zdravia

- Ohrievač neprenášajte ani neskladujte s vloženou plynovou kartušou.
- Plynovú kartušu vyberajte na dobre vetranom mieste.
- Ubezpečte sa, že v blízkosti nehorí otvorený plameň.
- Plynovú kartušu vyberte iba pri vypnutom a vychladnutom ohrievači.

Kartušu je možné vytiahnuť, aj keď v nej zostal nejaký plyn.

1. Postupujte podľa obrázka (obr. **4**, strane 5).
2. Skontrolujte obsah kartuše potrasením a sluchom zistíte prítomnosť kvapalného plynu.
3. Znovu nasadte ochrannú krytku a plynovú kartušu uskladnite na chladnom, suchom a dobre vetranom mieste, mimo dosahu detí.

4. Skontrolujte tesniaci ventil kartuše. Ak je tesnenie krehké alebo poškodené, nechajte ho vymeniť kvalifikovanou osobou.
4. Vyčistíte ohrievač (pozri kap. „Čistenie a údržba“ na strane 99).
5. Uskladnite ohrievač na rovnom, stabilnom, suchom mieste mimo dosahu detí.

Premiestňovanie a skladovanie ohrievača



VÝSTRAHA! Nebezpečenstvo ohrozenia zdravia

Ohrievač neprenášajte ani neskladujte s vloženou plynovou kartušou.

Postupujte nasledovne:

1. Vypnite ohrievač.
2. Ohrievač nechajte úplne vychladnúť.
3. Vytiahnite plynovú kartušu z ohrievača (pozri kap. „Vybratie plynovej kartuše“ na strane 98).

Čistenie a údržba

Vyčistíte ohrievač po každom použití:

1. Ubezpečte sa, že výrobok je studený.
2. Vytiahnite plynovú kartušu z výrobku.
3. Poumývajte povrchy výrobku s horúcou mydlovou vodou.
4. Pravidelne kontrolujte horák, či nie je znečistený napríklad hmyzom. Ak je znečistený, očistíte ho kefou.

Odstraňovanie porúch

Porucha	Príčina	Riešenie
Kartuša sa nedá vložiť	Ovládací regulátor nie je úplne otočený do polohy VYP	Otočte ovládací regulátor úplne do polohy VYP a znovu vložte kartušu.
	Nesprávne vložená kartuša	Uistite sa, že jazýček na regulátore zapadol do drážky na obrube kartuše.
Žiadny prívod plynu v polohe MAX	Žiadny zvyšný plyn v kartuši	Vymeňte plynovú kartušu.
	Nesprávne vložená kartuša	Uistite sa, že jazýček na regulátore zapadol do drážky na obrube kartuše.
	Aktivovaná bezpečnostná poistka	Nechajte kartušu vychladnúť.
	Chybný ovládací regulátor	Kontaktujte autorizovaného technika kvôli oprave.
	Upchatá dýza	Kontaktujte autorizovaného technika kvôli oprave.
Zápach plynu v polohe VYP	Nesprávne vložená kartuša	Uistite sa, že jazýček na regulátore zapadol do drážky na obrube kartuše.
	Chybný ovládací regulátor	Kontaktujte autorizovaného technika kvôli oprave.

Porucha	Príčina	Riešenie
Slabý plameň	V kartuši už nie je plyn	Vymeňte plynovú kartušu.
	Upchaté otvory horáka	Použite kovovú kefu na očistenie otvorov horáka.
	Chybný ovládací regulátor	Kontaktujte autorizovaného technika kvôli oprave.
	Upchatá dýza	Kontaktujte autorizovaného technika kvôli oprave.
Nerovnomerný plameň	V kartuši už nie je plyn	Vymeňte plynovú kartušu.
	Upchaté otvory horáka	Použite kovovú kefu na očistenie otvorov horáka.
Žiadne zapáľovanie/chybné zapáľovanie	V kartuši už nie je plyn	Vymeňte plynovú kartušu.
	Nesprávne vložená kartuša	Uistite sa, že jazýček na regulátore zapadol do drážky na obrube kartuše.
	Bezpečnostná poistka zareagovala	Nechajte kartušu vychladnúť.
	Upchaté otvory horáka	Použite kovovú kefu na očistenie otvorov horáka.
	Ohnutá alebo skorodovaná elektróda	Očistite elektródu.
	Chybný ovládací regulátor	Kontaktujte autorizovaného technika kvôli oprave.
	Upchatá dýza	Kontaktujte autorizovaného technika kvôli oprave.
Zhasnutie plameňa počas prevádzky	V kartuši už nie je plyn	Vymeňte plynovú kartušu.
	Bezpečnostná poistka zareagovala	Nechajte kartušu vychladnúť.

Záruka

Platí zákonom stanovená záručná lehota. Ak je výrobok poškodený, obráťte sa na pobočku výrobcu vo svojej krajine (pozri kampaoutdoors.com/store-locator) alebo na svojho predajcu.

Ak žiadate o vybavenie opravy alebo nárokov vyplývajúcich zo záruky, musíte priložiť nasledovné podklady:

- kópiu faktúry s dátumom kúpy,
- dôvod reklamácie alebo opis chyby.


Likvidácia

► Obalový materiál podľa možnosti odovzdajte do príslušného odpadu na recykláciu.



Keď výrobok definitívne vyradíte z prevádzky, informujte sa v najbližšom recyklačnom stredisku alebo u vášho špecializovaného predajcu o príslušných predpisoch týkajúcich sa likvidácie.

Technické údaje

	Hottie
Kategória plynu:	Bután
Typ plynovej kartuše:	P220
Kategória výrobku:	I _{3B} , priamy tlak
Zapaľovanie:	Piezo
Tepelný príkon horáka:	2,0 kW
Spotreba plynu:	145 g/h
Rozmer vstrekovača:	0,50 mm
Rozmery (V × Š × H.):	270 × 310 × 160 mm
Hmotnosť:	1,78 kg
Schválenie:	

Pečlivě si prosím přečtěte a dodržujte všechny pokyny, směrnice a varování obsažené v tomto návodu k výrobku, abyste měli jistotu, že výrobek budete vždy správně instalovat, používat a udržovat. Tyto pokyny MUSÍ být uchovávané v blízkosti výrobku.

Používáním výrobku tímto potvrzujete, že jste si pečlivě přečetli všechny pokyny, směrnice a varování a že rozumíte podmínkám uvedeným v tomto dokumentu a souhlasíte s nimi. Souhlasíte s používáním tohoto výrobku pouze k určenému účelu a použití a v souladu s pokyny, směrnicemi a varováními uvedenými v tomto návodu k výrobku a v souladu se všemi příslušnými zákony a předpisy. Pokud si nepřečtete a nebudete dodržovat zde uvedené pokyny a varování, může to vést ke zranění vás i ostatních, poškození vašeho výrobku nebo poškození jiného majetku v okolí. Tento návod k výrobku, včetně pokynů, směrnic a varování a související dokumentace může být předmětem změn a aktualizací. Aktuální informace o výrobku naleznete na kampaoutdoors.com.

Vysvětlení symbolů



NEBEZPEČÍ!

Bezpečnostní pokyn: Označuje nebezpečnou situaci, která, pokud se jí nezabrání, bude mít za následek smrt nebo vážné zranění.



VÝSTRAHA!

Bezpečnostní pokyn: Označuje nebezpečnou situaci, která, pokud se jí nezabrání, může mít za následek smrt nebo vážné zranění.



UPOZORNĚNÍ!

Bezpečnostní pokyn: Označuje nebezpečnou situaci, která, pokud se jí nezabrání, může mít za následek lehké nebo středně těžké zranění.

Bezpečnostní pokyny

Základní bezpečnost



VÝSTRAHA! Nedodržení těchto varování by mohlo mít za následek smrt nebo vážné zranění.

Nebezpečí výbuchu

- Opravy tohoto přímotopu směřjí provádět pouze odborníci. Nesprávně provedené opravy mohou být zdrojem značných rizik.
- Neprovádějte žádné změny na tomto přímotopu.
- Neodstraňujte ani nevyměňujte žádné součásti tohoto přímotopu.

- Tento přímotop je určen pouze k použití s plynovou kartusí butanu Kampa (č. výr. 9120000991) nebo jinými kartusemi P220 v souladu s normou EN 417. Může být nebezpečně pokoušet se montovat jiné typy plynových nádob.



UPOZORNĚNÍ! Nedodržení těchto upozornění by mohlo mít za následek lehké nebo střední zranění.

Nebezpečí požáru

- Tento přímotop směřjí obsluhovat pouze dospělé osoby.
- Když je přímotop horký nebo se používá, nenechávejte ho bez dozoru.
- Mějte k dispozici hasicí přístroj nebo jiný prostředek vhodný k uhašení plamene.

Nebezpečí popálení

- Ruce, obličej a vlasy udržujte v bezpečné vzdálenosti od hořáků.
- Při zapalování nebo používání tohoto přímotopu nenoste volné oblečení a nemějte dlouhé vlasy volné.
- Děti a zvířata udržujte v bezpečné vzdálenosti.
- Pozorně sledujte veškerou činnost kolem tohoto přímotopu, abyste zabránili popálení a jiným úrazům.

Bezpečná obsluha tohoto přímotopu



NEBEZPEČÍ! Nedodržení těchto pokynů bude mít za následek smrt nebo vážné zranění.

Nebezpečí otravy oxidem uhelnatým

- Tento přímotop nikdy nepoužívejte v interiéru. Spalováním zkapalněného plynu vzniká oxid uhelnatý, který se hromadí uvnitř uzavřených prostor.

Nebezpečí udušení

- Provoz tohoto přímotopu s plynem v nevětraném prostoru vede k nedostatku kyslíku v tomto prostoru.
- Přímotop nepoužívejte v nevětraných prostorech, jako jsou např. uzavřené místnosti, stany, předstany, motorová vozidla, obytné vozy, karavany nebo interiéry plavidel, jacht, člunů a kabin nákladních vozidel.
- Používejte pouze venku.



VÝSTRAHA! Nedodržení těchto varování by mohlo mít za následek smrt nebo vážné zranění.

Nebezpečí výbuchu

- Tento přímotop se smí používat pouze v nadzemním venkovním prostředí s přirozeným větráním a bez mrtvých prostor, v němž jsou úniky plynu a produkty spalování rychle rozptýleny větrem a přirozenou konvekcí.
- Tento přímotop nepoužívejte, pokud netěsní, je poškozen nebo nefunguje správně.
- Do blízkosti tohoto přímotopu neumísťujte chemikálie, hořlavé materiály ani nestříkejte aerosoly.
- Nikdy nekontrolujte úniky plynu otevřeným plamenem.
- Pokud cítíte plyn:
 - Nepokoušejte se přímotop zapálit.
 - Uhasťte otevřený plameny.
 - Odpojte od přívodu plynu.
 - Plynovou instalaci nechejte zkontrolovat odbornou firmou.
- Plynovou kartuši připojujte a odpojujte venku mimo dosah otevřených plamenů, zapalovacího plamene nebo jiného zdroje zapálení, a to jen když je přímotop ochlazený na dotek.
- Zkontrolujte, zda je na místě a v dobrém stavu těsnění mezi tímto přímotopem a plynovou kartuší.
- Tento přímotop nepoužívejte, pokud je těsnění poškozené nebo opotřeбенé.
- Přímotop nepoužívejte na přímém slunci.



UPOZORNĚNÍ! Nedodržení těchto upozornění by mohlo mít za následek lehké nebo střední zranění.

Nebezpečí požáru

- Dodržujte minimální odstup boční a zadní části přímotopu 20 cm od jakékoli konstrukce nebo předmětů.
- Udržujte minimální odstup 100 cm od přední části přímotopu.
- Udržujte okolní oblast bez jakéhokoli hořlavého materiálu a hořlavých kapalin, včetně dřeva, suchých rostlin a trávy, kartáče, papíru a plachet.
- Tento přímotop používejte pouze na rovném, stabilním nehořlavém povrchu, jako jsou cihly, beton nebo zemina.
- Tento přímotop nepoužívejte na žádném povrchu, který by mohl hořet nebo se tavit, jako například dřevo, asfalt, vinyl nebo plast.

- Hořlavé předměty udržujte v bezpečné vzdálenosti od hořáků. Přímotop nepoužívejte k sušení oděvu nebo jiných hořlavých předmětů.
- Přímotop nezakrývejte žádnými předměty ani jimi neblokujte výstup vzduchu.
- Přímotop nepoužívejte jako vařič ani ho nepřekládejte na zadní stranu.
- Nepokládejte potraviny na přímotop.
- V případě požáru vypněte přívod plynu.

Nebezpečí popálení

- Tento přímotop během používání nepřemisťujte.
- Při manipulaci s horkými součástmi používejte ochranné rukavice.
- Dříve než se tohoto přímotopu dotknete holýma rukama, nechejte jej řádně vychladnout.
- Přístupné části mohou být velmi horké. Malé děti udržujte mimo dosah.
- Požívání alkoholu nebo užívání léků na předpis či volně prodejných léků může zhoršit vaši schopnost řádně sestavit nebo bezpečně obsluhovat tento přímotop.

Nebezpečí ohrožení zdraví

- Tento přímotop používejte, pouze pokud na něj může dohlížet dospělá osoba.

Bezpečnost při manipulaci se zkpalněným plynem



VÝSTRAHA! Nedodržení těchto varování by mohlo mít za následek smrt nebo vážné zranění.

- Po použití vždy odpojte kartuši se zkpalněným plynem.
- **Nikdy** nespalujte ani nepropichujte plynovou kartuši, i když je prázdná.
- **Nikdy** nevkládejte ani nevjímejte plynovou kartuši uvnitř místnosti, ve špatně větraných prostorech, v blízkosti jiných osob, zdrojů tepla nebo pokud je přístroj stále teplý.
- **Nikdy** neskladujte plynové kartuše na nevětraných místech nebo pod úrovní podlahy (nálevkovité vybrání v podlaze).
- **Nikdy** neskladujte plynové kartuše v budovách, jako jsou garáže.
- Plynové kartuše skladujte mimo dosah topných nebo kuchyňských přístrojů a tepelných zdrojů v dobře větraném místě a mimo dosah dětí.
- Plynové kartuše neukládejte na bok.

- Plynové kartuše chraňte před přímým slunečním zářením. Teplota by neměla překročit 50 °C.
- Zlikvidujte plynové kartuše v souladu s místními předpisy.

Použití v souladu s účelem

Přenosný plynový přímotop Hottie je vhodný pro:

- Venkovní činnosti

Přenosný plynový přímotop Hottie **není** vhodný pro:

- Použití v interiéru
- Uzavřené prostory

Tento výrobek je vhodný pouze k určenému účelu a použití v souladu s tímto návodem.

Tento návod poskytuje informace, které jsou nezbytné pro řádnou instalaci a/nebo provoz výrobku. Nedostatečná instalace a/nebo nesprávný provoz či údržba povedou k neuspokojivému výkonu a možné závadě.

Výrobce nepřijímá žádnou odpovědnost za jakékoli zranění nebo poškození výrobku vyplývající z následujícího:

- Nesprávné sestavení nebo připojení včetně nadměrného napětí
- Nesprávná údržba nebo použití jiných náhradních dílů než původních dílů dodaných výrobcem
- Změna výrobku bez výslovného souhlasu výrobce
- Použití k jiným účelům, než jsou popsány v tomto návodu

Společnost Kampa si vyhrazuje právo změnit vzhled a specifikace výrobku.

Technický popis

Tento plynový přímotop má jeden hořák.

Tento plynový přímotop je určen k připojení k plynové kartuši butanu Kampa (č. výr. 9120000991, není součástí dodávky) nebo jiným kartuším P220 v souladu s normou EN 417.

Bezpečnostní přístroj

Tento plynový přímotop je vybaven bezpečnostním přístrojem, který přeruší tok plynu, pokud se tlak v kartuši příliš zvýší (například kvůli přehřátí).

Pokud k tomu dojde:

1. Odstraňte zdroj nadměrného tepla.
2. Umožněte ochlazení plynové kartuše.
3. Resetujte přímotop.

Části a ovládací prvky

Č. na obr. 1, strana 3	Označení
1	Ochranný kryt plamene
2	Keramická deska
3	Panel
4	Rukojeť
5	Páčka plynové kartuše
6	Ovládací knoflík
7	Úchyt
8	Kryt kartuše
9	Nožky

Použití tohoto přímotopu



UPOZORNĚNÍ! Nebezpečí popálení

- Ruce, obličej a vlasy udržujte v bezpečné vzdálenosti od hořáků.
- Při zapalování nebo používání tohoto přímotopu nenoste volné oblečení a nemějte dlouhé vlasy volné.
- Děti a zvířata udržujte v bezpečné vzdálenosti.
- Pozorně sledujte veškerou činnost kolem tohoto přímotopu, abyste zabránili popálení a jiným úrazům.
- Přímotop během používání nepřemisťujte.
- Nedotýkejte se horkých částí přímotopu během použití a po něm.
- Před uložením nechejte přímotop řádně vychladnout.
- Po použití vždy odpojte kartuši se zkapalněným plynem.

Umístění přímotopu

Při výběru místa pro postavení tohoto přímotopu dodržujte následující pokyny:

- Přímotop umístěte venku.
- Místo musí být dobře odvětrávané. Přístroj neumísťujte do hlubokých míst, aby se v nich nehromadil plyn.
- Přímotop chraňte před větrem a přímým průvanem.
- Z okolí odstraňte veškerý hořlavý materiál.
- K umístění přímotopu zvolte rovný, stabilní nehořlavý povrch.
- Přímotop nikdy neumísťujte do blízkosti hořlavých materiálů ani na ně, a to ani při ochlazování. Dodržujte vzdálenost alespoň 100 cm od hořlavých materiálů.
- Výrobek musí stát na základně, která odolává teplotě min. 80 °C. Kryt se během používání může velmi zahřívat.
- Dodržujte bezpečnostní pokyny, viz kap. „Bezpečnost při manipulaci se zkapalněným plynem“ na strani 103.

Vložení plynové kartuše



VÝSTRAHA! Nebezpečí výbuchu

Před vložením plynové kartuše zkontrolujte, zda je těsnicí ventil kartuše na místě a v dobrém stavu.

1. Postupujte podle obrázku (obr. **2**, strana 3).
2. Nevyvíjejte nadměrnou sílu. Pokud se pojistná páčka kartuše nestlačí dolů, zkontrolujte polohu drážky.
3. Uslyšíte-li syčení, plynová kartuše nebyla vložena správně. Uvolněte pojistnou páčku kartuše a umístěte kartuši znovu.

Zapálení a ovládání přímotopu



VÝSTRAHA! Nebezpečí ohrožení zdraví

Když se výrobek používá, nenechávejte ho bez dozoru.

1. Postupujte podle obrázku (obr. **3**, strana 4).
2. Pokud se hořák nezapálí, postup zapalování zopakujte.

Vyjmutí plynové kartuše



VÝSTRAHA! Nebezpečí ohrožení zdraví

- Přímotop nepřevážujte ani neskládujte s vloženou plynovou kartuší.
- Plynovou kartuši vyjímejte v době větraném místě.
- Ujistěte se, že v blízkosti nejsou otevřené plameny.
- Plynovou kartuši vyjímejte, pouze když je přímotop vypnutý a ochladil se.

Kartuši lze odpojit, i když zbylo určité množství plynu.

1. Postupujte podle obrázku (obr. **4**, strana 5).
2. Zkontrolujte obsah kartuše protřepáním a poslechem, zda neuniká zkapalněný plyn.
3. Nasadte zpět ochrannou krytku a plynovou kartuši uložte na chladném, suchém a dobře větraném místě mimo dosah dětí.
4. Zkontrolujte těsnicí ventil kartuše. Je-li materiál zkrěhlý nebo porézní, nechejte těsnění vyměnit odborníkem.

Přemístění a skladování přímotopu



VÝSTRAHA! Nebezpečí ohrožení zdraví

Přímotop nepřevážujte ani neskládujte s vloženou plynovou kartuší.

Postupujte takto:

1. Vypněte přímotop.
2. Přímotop nechejte zcela vychladnout.
3. Z přímotopu vyjměte plynovou kartuši (viz kap. „Vyjmutí plynové kartuše“ na strani 105).
4. Vycistěte přímotop (viz kap. „Čištění a péče“ na strani 106).
5. Přímotop skladujte na rovném, suchém stabilním místě mimo dosah dětí.

Čištění a péče

Přístroj vyčistěte po každém použití:

1. Ujistěte se, že je výrobek vychladlý.
2. Z výrobku vyjměte plynovou kartuši.
3. Povrchy výrobku omyjte horkou mýdlovou vodou.
4. Hořák pravidelně kontrolujte, zda neobsahuje nečistoty, jako např. hmyz. Očistěte jej kartáčem.

Odstraňování poruch a závad

Porucha	Příčina	Náprava
Kartuši nelze vložit	Ovládací knoflík není zcela otočený do polohy OFF (Vyp.)	Otočte ovládací knoflík do polohy OFF a resetujte kartuši.
	Nesprávné vložení kartuše	Ujistěte se, že jazýček na regulátoru zapadl do drážky v objímce kartuše.
Žádný přívod plynu v poloze MAX	V kartuši nezůstává žádný plyn	Vyměňte plynovou kartuši.
	Nesprávné vložení kartuše	Ujistěte se, že jazýček na regulátoru zapadl do drážky v objímce kartuše.
	Aktivován bezpečnostní přístroj	Umožněte ochlazení kartuše.
	Chybná funkce ovládacího knoflíku	Kontaktujte autorizovaného technika pro opravu.
	Zanesená tryska	Kontaktujte autorizovaného technika pro opravu.
Zápach plynu v poloze OFF	Nesprávné vložení kartuše	Ujistěte se, že jazýček na regulátoru zapadl do drážky v objímce kartuše.
	Chybná funkce ovládacího knoflíku	Kontaktujte autorizovaného technika pro opravu.
Nízký plamen	V kartuši nezůstal žádný plyn	Vyměňte plynovou kartuši.
	Zanesené otvory hořáku	Otvory hořáku vyčistěte kovovým kartáčem.
	Chybná funkce ovládacího knoflíku	Kontaktujte autorizovaného technika pro opravu.
	Zanesená tryska	Kontaktujte autorizovaného technika pro opravu.
Nerovnoměrný plamen	V kartuši nezůstal žádný plyn	Vyměňte plynovou kartuši.
	Zanesené otvory hořáku	Otvory hořáku vyčistěte kovovým kartáčem.

Porucha	Příčina	Náprava
Žádné zapálení / chybné zapálení	V kartuši nezářel žádný plyn	Vyměňte plynovou kartuši.
	Nesprávné vložení kartuše	Ujistěte se, že jazýček na regulátoru zapadl do drážky v objímce kartuše.
	Bezpečnostní přístroj aktivován	Umožněte ochlazení kartuše.
	Zanesené otvory hořáku	Otvory hořáku vyčistíte kovovým kartáčem.
	Ohnutá nebo zkorodovaná elektroda	Vyčistíte elektrodu.
	Chybná funkce ovládacího knoflíku	Kontaktujte autorizovaného technika pro opravu.
	Zanesená tryska	Kontaktujte autorizovaného technika pro opravu.
Uhašení během provozu	V kartuši nezářel žádný plyn	Vyměňte plynovou kartuši.
	Bezpečnostní přístroj aktivován	Umožněte ochlazení kartuše.

Odpovědnost za vady

Na výrobek je poskytována záruka v souladu s platnými zákony. Pokud je výrobek vadný, kontaktujte pobočku výrobce ve vaší zemi nebo svého prodejce (viz kampaoutdoors.com/store-locator). K vyřízení opravy nebo záruky nezapomeňte ode-slat následující dokumenty:

- Kopie účtenky s datem zakoupení
- Uvedení důvodu reklamace nebo popis vady.

Likvidace

► Obalový materiál likvidujte v odpadu určeném k recyklaci.



Jakmile výrobek zcela vyřadíte z provozu, informujte se v příslušných recyklačních centrech nebo u specializovaného prodejce o příslušných předpisech o likvidaci odpadu.

Technické údaje

	Hottie
Kategorie plynu:	Butan
Typ plynové kartuše:	P220
Kategorie výrobku:	I _{3B} , přímý tlak
Zapalování:	Piezo
Tepelný příkon hořáku:	2,0 kW
Spotřeba plynu:	145 g/h
Velikost injektoru:	0,50 mm
Rozměry (V x Š x H):	270 x 310 x 160 mm
Hmotnost:	1,78 kg
Certifikace:	

A termék mindenkor szakszerű telepítése, használata és karbantartása érdekében kérjük figyelmesen olvassa el az ebben a termék kézikönyvben található utasításokat, irányelveket és figyelmeztetéseket, valamint mindig tartsa be ezeket. Ezt az útmutatót a termék közelében KELL tartani.

A termék használatba vételével Ön kijelenti hogy figyelmesen elolvasta az összes utasítást, irányelvet és figyelmeztetést, valamint megértette és elfogadja az itt leírt szerződési feltételeket. Ön elfogadja, hogy kizárólag a rendeltetésének megfelelő célra és a jelen termék kézikönyvben leírt útmutatásoknak, irányelveknek és figyelmeztetéseknek, valamint a hatályos törvényeknek és szabályozásoknak megfelelően használja ezt a terméket. Az itt leírt utasítások és figyelmeztetések elolvasásának és betartásának elmulasztása saját és mások sérüléséhez, a termék vagy a közelben található más anyagi javak károsodásához vezethet. Ez a termék kézikönyv és a benne található utasítások, irányelvek és figyelmeztetések, valamint a kapcsolódó dokumentációk módosulhatnak és frissülhetnek. Naprakész termékinformációk érdekében kérjük látogasson el a következő honlagra: kampaoutdoors.com.

Szimbólumok magyarázata



VESZÉLY!

Biztonsági útmutatás: Veszélyes helyzetet jelöl, amely súlyos sérülést vagy halált okoz, ha nem kerüljük el.



FIGYELMEZTETÉS!

Biztonsági útmutatás: Veszélyes helyzetet jelöl, amely súlyos sérülést vagy halált okozhat, ha nem kerüljük el.



VIGYÁZAT!

Biztonsági útmutatás: Veszélyes helyzetet jelöl, amely könnyű vagy mérsékelt sérülést okozhat, ha nem kerüljük el.

Biztonsági útmutatások

Alapvető biztonság



FIGYELMEZTETÉS! Ezeknek a figyelmeztetéseknek a figyelmen kívül hagyása súlyos, vagy halálos sérüléshez vezethet.

Robbanásveszély

- Javításokat csak szakemberek végezhetnek a fűtőkészüléken. A szakszerűtlen javítások jelentős veszélyeket okozhatnak.
- Ne módosítsa ezt a fűtőkészüléket.
- A fűtőkészülék egyik alkatrészét se távolítsa el illetve ne cserélje ki.

- Ezt a fűtőkészüléket Kampa bután gázpatronnal (cikksz.: 9120000991), vagy az EN 417 szabványnak megfelelő egyéb P220 patronnal kell használni. Más típusú gázpalackokkal történő használat kockázatos lehet.



VIGYÁZAT! Ezeknek a felhívásoknak a figyelmen kívül hagyása könnyű vagy mérsékelt sérüléshez vezethet.

Tűzveszély

- Ezt a fűtőkészüléket csak felnőtt személyek üzemeltethetik.
- Használat közben soha ne hagyja felügyelet nélkül ezt a fűtőkészüléket.
- Tartson készenlétben egy tűzoltó-készüléket, vagy más tűzoltásra alkalmas eszközt.

Égési sérülés veszélye

- Kezét, arcát és haját tartsa távol az égőfejektől.
- A fűtőkészülék meggyújtása vagy használata során ne viseljen a testtől elálló ruházatot és szabadon leelőgő frizurát.
- Tartsa biztonságos távolságban a gyermekeket és a háziállatokat.
- Az égési és egyéb sérülések megelőzése érdekében gondosan felügyelje az összes tevékenységet a fűtőkészülék körül.

A fűtőkészülék biztonságos üzemeltetése



VESZÉLY! Ezeknek az útmutatásoknak a figyelmen kívül hagyása súlyos vagy halálos sérüléshez vezet.

Szénmonoxid mérgezés veszélye

- Ezt a fűtőkészüléket tilos beltérben használni. A folyékony gáz égése során szénmonoxid keletkezik, amely a zárt helyiségekben felhalmozódik.

Fulladásveszély

- Ha rosszul szellőző helyeken üzemelteti ezt a fűtőkészüléket, az oxigénhiányt okozhat az adott területen.
- Olyan rosszul szellőző helyeken mint például zárt helyiségek, sátrak, elősátrak, tehergépjárművek, lakókocsik, lakóautók, vagy vitorlás hajók, jachtok, hajók, és tehergépjármű-fülkék belsejében, ne üzemeltesse ezt a fűtőkészüléket.
- Csak kültéri használatra alkalmas.



FIGYELMEZTETÉS! Ezeknek a figyelmeztetéseknek a figyelmen kívül hagyása súlyos, vagy halálos sérüléshez vezethet.

Robbanásveszély

- A fűtőkészüléket csak földszint feletti, nyitott, természetes szellőzéssel rendelkező, pangó levegőjű területekkel nem rendelkező helyszíneken szabad használni, ahol a termék gázszivárgását és az égéstermékeket a szél és a természetes légáramlás gyorsan eloszlatja.
- Ha a fűtőkészülék szivárog, meghibásodott, vagy nem működik megfelelően, akkor ne használja azt.
- A fűtőkészülék mellé ne helyezzen vegyszereket, tűzveszélyes anyagokat, vagy aeroszol sprayket.
- Soha ne ellenőrizze a termék gázszivárgását nyílt lánggal.
- Gázszag érzékelése esetén:
 - Ne kísérelje meg begyűjtani ezt a fűtőkészüléket.
 - Oltson el minden nyílt lángot.
 - Válassza le a terméket a gázellátásról.
 - Egy szakértő vállalattal ellenőriztesse a gázberendezést.
- A gázpatront csak kültéren, nyílt lángtól, őrlángtól, vagy más gyújtóforrástól távol csatlakoztassa, vagy válassza le, és csak akkor ha a fűtőkészülék már kihűlt.
- A gázpatron használata előtt ellenőrizze, hogy a fűtőkészülék és a gázpatron közötti tömítés a helyén van-e és megfelelő állapotú-e.
- Ha a tömítés elhasználódott, vagy sérült, akkor ne használja a fűtőkészüléket.
- Ne használja közvetlen napsütésnek kitéve a fűtőkészüléket.



VIGYÁZAT! Ezeknek a felhívásoknak a figyelmen kívül hagyása könnyű vagy mérsékelt sérüléshez vezethet.

Tűzveszély

- A fűtőkészülék oldalai és hátsó része valamint bármilyen egyéb szerkezet, vagy tárgy között biztosítson legalább 20 cm minimális távolságot.
- A fűtőkészülék előtt hagyjon legalább 100 cm minimális távolságot.

- A készülék körül ne tároljon éghető folyadékokat és gyúlékony anyagokat, például faanyagot, száraz növényeket és fűvet, rőzsét, papírt és vásznat.
- Ezt a fűtőkészüléket csak sík, stabil, nem gyúlékony felületeken, például téglán, betonon, vagy föld talajon használja.
- Ne használja a fűtőkészüléket olyan felületeken, amelyek meggyulladhatnak, vagy elolvadhatnak, például fán, aszfalton, vinil-, vagy műanyag padlón.
- A gyúlékony tárgyakat tartsa távol az égőfejtől. Ne használja a fűtőkészüléket ruhák, vagy egyéb gyúlékony tárgyak megszáraitására.
- A fűtőkészüléket ne fedje le, vagy ne torlaszolja el semmilyen cikkel, vagy tárggyal.
- Ne használja a fűtőkészüléket főzésre és ne bilentse a hátoldalára
- Ne helyezzen élelmiszert a lángvédő rácsra.
- Tűz esetén zárja el a gázellátást.

Égési sérülés veszélye

- Használat közben nem mozgassa ezt a fűtőkészüléket.
- A forró alkatrészek kezelésekor használjon védőkesztyűt.
- Puszta kézzel történő megérintés előtt hagyja lehűlni a fűtőkészüléket.
- A hozzáférhető részek nagyon forróak lehetnek. A kisgyermeket tartsuk távol tőle.
- Az alkohol, a vényköteles és nem vényköteles gyógyszerek hatása csökkentheti a fűtőkészülék helyes összeszerelésének, vagy üzemeltetésének képességét.

Egészségkárosodás veszélye

- A fűtőkészüléket csak felnőtt felügyelet mellett üzemeltesse.

Folyékony gáz kezelésére vonatkozó biztonsági óvintézkedések



FIGYELMEZTETÉS! Ezeknek a figyelmeztetéseknek a figyelmen kívül hagyása súlyos, vagy halálos sérüléshez vezethet.

- Használat után mindig válassza le a folyékony gázt tartalmazó patront.
- A gázpatront tűzbe dobni, vagy felszúrní még üres állapotban is **tilos**.

- Beltérben, rosszul szellőző helyeken, más szelleméyek közelében, hőforrások közelében, vagy ha a készülék még meleg, **tilos** csatlakoztatni vagy leválasztani a gázpatront.
- **Soha** ne tárolja a gázpatronokat szellőzés nélküli helyeken vagy a talajszint alatt (tölcsérszerű bemélyedésekben).
- **Soha** ne tárolja a gázpatronokat épületekben, például garázsban.
- A folyékony gázt tartalmazó patronokat mindig fűtő-, vagy főzőberendezésektől és más hőforrásoktól elzárva, jól szellőző területen, gyermekektől elzárva tárolja.
- Ne tárolja a gázpatronokat az oldalukra fektetve.
- Védje a gázpatronokat a közvetlen napsugárzástól. A hőmérséklet ne haladja meg az 50 °C-ot.
- A gázpatronokat a helyi önkormányzati szabályozásoknak megfelelően selejtezze le.

A Kampa fenntartja a termék megjelenésének és specifikációjának módosítására vonatkozó jogát.

Műszaki leírás

Ez a gázüzemű fűtőkészülék egy égőfejjel rendelkezik.

Ez a gázüzemű fűtőkészülék egy Kampa bután gázpatronhoz (cikksz. 9120000991, a csomag nem tartalmazza), vagy az EN 417 szabványnak megfelelő más P220 patronokhoz történő csatlakoztatásra készült.

Biztonsági berendezés

Ez a gázüzemű fűtőkészülék el van látva egy olyan biztonsági berendezéssel, amely elzárja a gáz áramlását, ha nyomás a patronban túlságosan megegyelkedik (például túlmelegedés miatt).

Ebben az esetben:

1. Távolítsa el a túl nagy hő forrását.
2. Hagyja lehűlni a gázpatront.
3. Állítsa vissza a fűtőkészüléket.

Alkatrészek és szabályozók

Sz. itt: 1. ábra, 3. oldal	Megnevezés
1	Tűzvédő
2	Kerámia lap
3	Panel
4	Hordozófogantyú
5	Gázpatron kar
6	Vezérlőgomb
7	Fogantyú bemélyedés
8	Patron fedél
9	Lábak

Rendeltetészerű használat

A Hottie hordozható gázüzemű fűtőkészülék a következőkre alkalmas:

- Kültéri tevékenységek

A Hottie hordozható gázüzemű fűtőkészülék a következőkre **nem** alkalmas:

- Beltéri használat
- Zárt helyek

Ez a termék az itt leírt utasításoknak megfelelő rendeltetészerű használatra alkalmas.

Ez a kézikönyv olyan információkat nyújt, amelyek a termék szakszerű telepítéséhez és/vagy üzemeltetéséhez szükségesek. A hibás telepítés és/vagy a szakszerűtlen üzemeltetés vagy karbantartás elégtelen teljesítményhez és potenciálisan meghibásodáshoz vezethet.

A gyártó nem vállal felelősséget a termék olyan károsodásáért, vagy sérülésekért, amelyek a következőkre vezethetők vissza:

- Hibás összeszerelés vagy csatlakoztatás, ideértve a túlfeszültséget is
- Helytelen karbantartás, vagy a gyártó által szállított eredeti cserealkatrészekből eltérő cserealkatrészek használata
- A termék kifejezett gyártói engedély nélküli módosítása
- Az útmutatóban leírt céloktól eltérő felhasználás

A fűtőkészülék használata



VIGYÁZAT! Égési sérülés veszélye

- Kezét, arcát és haját tartsa távol az égő fejektől.
- A fűtőkészülék meggyújtása vagy használata során ne viseljen a testtől elálló ruházatot és szabadon lelévő frizurát.
- Tartsa biztonságos távolságban a gyermekeket és a háziállatokat.
- Az égési és egyéb sérülések megelőzése érdekében gondosan felügyelje az összes tevékenységet a fűtőkészülék körül.
- Használat közben nem mozgassa a fűtőkészüléket.
- Használat közben és után ne érintse meg a fűtőkészülék forró alkatrészeit.
- Tárolás előtt hagyja megfelelően kihűlni a fűtőkészüléket.
- Használat után mindig válassza le a folyékony gázt tartalmazó patronrt.

A fűtőkészülék elhelyezése

A fűtőkészülék felállítási helyének kiválasztásakor vegye figyelembe a következő útmutatásokat:

- A fűtőkészüléket kültéren állítsa fel.
- A helynek jól kell szellőzőnek kell lennie. A gázok felhalmozódásának elkerülése érdekében ne helyezze mélyebben fekvő helyre a terméket.
- Védje a fűtőkészüléket a szélről és a közvetlen huzattól.
- Távolítsa el az összes gyúlékony anyagot a környező területről.
- A fűtőkészüléket egy sík, stabil, nem gyúlékony felületre helyezze el.
- Tilos a fűtőkészüléket tűzveszélyes anyagokra, vagy ezek mellé helyezni, még lehűlés idejére sem. A tűzveszélyes anyagoktól tartson legalább 100 cm biztonsági távolságot.
- A terméknek egy olyan alsó részen kell állnia, amely legalább 80 °C-ot elvisel. Használat közben a készülékház nagyon felforrósodhat.
- Vegye figyelembe a biztonsági útmutatásokat, lásd: „Folyékony gáz kezelésére vonatkozó biztonsági óvintézkedések” feje., 109. oldal.

A gázpatron ellenőrzése



FIGYELMEZTETÉS! Robbanásveszély

Ellenőrizze, hogy a gázpatron zárószelvénye a helyén van-e és megfelelő állapotú-e.

1. Az ábrán bemutatott módon járjon el (2. ábra, 3. oldal).
2. Ne fejtse ki túl nagy erőt. Ha nem nyomható le a patron lezáró karja, ellenőrizze a bevágás helyzetét.
3. Ha sziszegő hangot hall, akkor a patron beillesztése nem megfelelő. Oldja ki a patron lezáró karját és helyezze be újra a patronrt.

A fűtőkészülék begyújtása és vezérlése



FIGYELMEZTETÉS! Egészségkárosodás veszélye

Használat közben soha ne hagyja felügyelet nélkül a terméket.

1. Az ábrán bemutatott módon járjon el (3. ábra, 4. oldal).
2. Ha nem gyullad meg az égőfej, ismételje meg a begyújtási műveletet.

A gázpatron eltávolítása



FIGYELMEZTETÉS! Egészségkárosodás veszélye

- Beillesztett patronnal ne szállítsa, vagy tárolja a fűtőkészüléket.
- A gázpatronrt egy jól szellőző helyen távolítsa el.
- Gondoskodjon róla, hogy ne legyen nyílt láng a közelben.
- A gázpatronrt csak akkor távolítsa el, ha a fűtőkészülék ki van kapcsolva, és lehűlt.

A patronrt akkor is le lehet váltani ha van benne még némi gáz.

1. Az ábrán bemutatott módon járjon el (4. ábra, 5. oldal).
2. Rázással és a folyékony gáz hangjának figyélésével ellenőrizze a patron tartalmát.

- Helyezze vissza a védőkupakot és egy hűvös, száraz, jól szellőző és gyermekektől elzárt helyen tárolja a gázpatront.
- Ellenőrizze a patron záróselepeét. Ha az anyaga törékeny vagy lyukacsos, szakemberre cseréltesse ki a tömítést.
- Tisztítsa meg a fűtőkészüléket (lásd: „Tisztítás és karbantartás” fejelet, 112. oldal).
- A fűtőkészüléket sík, stabil és száraz helyen tárolja, gyermekektől elzárva.

A fűtőkészülék mozgatása és tárolása



FIGYELMEZTETÉS! Egészségkárosodás veszélye

Beillesztett patronnal ne szállítsa, vagy tárolja a fűtőkészüléket.

A következő módon járjon el:

- Kapcsolja ki a fűtőkészüléket.
- Hagyja teljesen lehűlni a fűtőkészüléket.
- Távolítsa el a gázpatront a fűtőkészülékből (lásd: „A gázpatron eltávolítása” fejelet, 111. oldal).

Hibaelhárítás

Hiba	Ok	Megoldás
A patron nem szerelhető be	A vezérlőgomb teljesen el van forgatva KI pozícióba	Forgassa el a vezérlőgombot teljesen KI pozícióba és állítsa vissza a patronnal.
	Helytelen patron beszerelés	Biztosítsa, hogy a szabályzón lévő fül beleilleszkedjen a patron gallérján lévő horonyba.
MAX pozícióban nincs gázellátás	Nincs gáz a patronban	Cserélje ki a gázpatront.
	Helytelen patron beszerelés	Biztosítsa, hogy a szabályzón lévő fül beleilleszkedjen a patron gallérján lévő horonyba.
	Aktiválódott a biztonsági készülék	Hagyja lehűlni a patronnal.
	Vezérlőgomb meghibásodás	Javítás céljából vegye fel a kapcsolatot egy hivatalos szerelővel.
	Eltömődött a fűvóka	Javítás céljából vegye fel a kapcsolatot egy hivatalos szerelővel.
Gázzag KI pozícióban	Helytelen patron beszerelés	Biztosítsa, hogy a szabályzón lévő fül beleilleszkedjen a patron gallérján lévő horonyba.
	Vezérlőgomb meghibásodás	Javítás céljából vegye fel a kapcsolatot egy hivatalos szerelővel.

Hiba	Ok	Megoldás
Kicsi a láng	Nincs gáz a patronban	Cserélje ki a gázpatront.
	Eltömődtek az égőfej furatai	Egy fém kefével tisztítsa ki az égőfej furatait.
	Vezérlógomb meghibásodás	Javítás céljából vegye fel a kapcsolatot egy hivatalos szerelővel.
	Eltömődött a fúvóka	Javítás céljából vegye fel a kapcsolatot egy hivatalos szerelővel.
A láng nem egyenletes	Nincs gáz a patronban	Cserélje ki a gázpatront.
	Eltömődtek az égőfej furatai	Egy fém kefével tisztítsa ki az égőfej furatait.
Nincs gyújtás/hibás gyújtás	Nincs gáz a patronban	Cserélje ki a gázpatront.
	Helytelen patron beszerelés	Biztosítsa, hogy a szabályzón lévő fül beleilleszkedjen a patron gallérján lévő horonyba.
	Aktiválódott a biztonsági készülék	Hagyja lehűlni a patront.
	Eltömődtek az égőfej furatai	Egy fém kefével tisztítsa ki az égőfej furatait.
	Az elektróda elhajlott, vagy rozsdás	Tisztítsa meg az elektródát.
	Vezérlógomb meghibásodás	Javítás céljából vegye fel a kapcsolatot egy hivatalos szerelővel.
	Eltömődött a fúvóka	Javítás céljából vegye fel a kapcsolatot egy hivatalos szerelővel.
Üzemeltetés során kialszik	Nincs gáz a patronban	Cserélje ki a gázpatront.
	Aktiválódott a biztonsági készülék	Hagyja lehűlni a patront.

Szavatosság

A termékre a törvény szerinti szavatossági időszak érvényes. Amennyiben a termék hibás, lépjen kapcsolatba a gyártó helyi képviselőjével (lásd: kam-paoutdoors.com/store-locator) vagy a kereskedővel.

A javításhoz, illetve a garancia adminisztrációhoz a következő dokumentumokat kell mellékelnie a termék beküldésekor:

- A számla vásárlási dátummal rendelkező másolatát
- A reklamáció okát vagy a hibát tartalmazó leírást


Ártalmatlanítás

► A csomagolóanyagot lehetőleg a megfelelő újrahasznosítható hulladék közé tegye.



Ha a terméket véglegesen kivonja a forgalomból, kérjük, tájékozódjon a legközelebbi hulladékártalmatlanító központnál vagy a szakkereskedőjénél az idevonatkozó ártalmatlanítási előírásokkal kapcsolatban.

Műszaki adatok

	Hottie
Gáz kategória:	Bután
Gázpatron típusa:	P220
Termékkategória:	I _{3B} , közvetlen nyomás
Gyújtás:	Piezo
Égőfej hőteljesítménye:	2,0 kW
Gázfogyasztás:	145 g/óra
Adagoló mérete:	0,50 mm
Méretek (szélesség x magasság x mélység):	270 x 310 x max 160 mm
Súly:	1,78 kg
Tanúsítvány:	



Together outdoors

kampaoutdoors.com

Part of the Dometic Group

We distribute our products in around 100 markets. Please ask for your contact point or check the web. kampaoutdoors.com

Manufacturer: Dometic UK Awnings Limited, Witham, Essex, UK

Importer EU: Dometic Germany GmbH, Hollefeldstraße 63, 48282 Emsdetten, Germany